



2013 CATALOG AND LIST PRICE BOOK

PARTS BREAKDOWNS - PART 2

SECTION	PAGE
PUMPS	64 (SEE PART 1)
FILTERS - D.E.	79 (SEE PART 1)
FILTERS - SAND	95 (SEE PART 1)
FILTERS - CARTRIDGE	104 (SEE PART 1)
FILTER VALVES	110 (SEE PART 1)
POOL CLEANERS	116 (SEE PART 1)
HEATERS	137
LIGHTS	192
CHLORINATORS	195
SKIMMERS	197
PLUMBING	201

****NOTE - For generic replacement baskets, O-rings, gaskets, and pump seals, see Whole Goods pages 51-56**

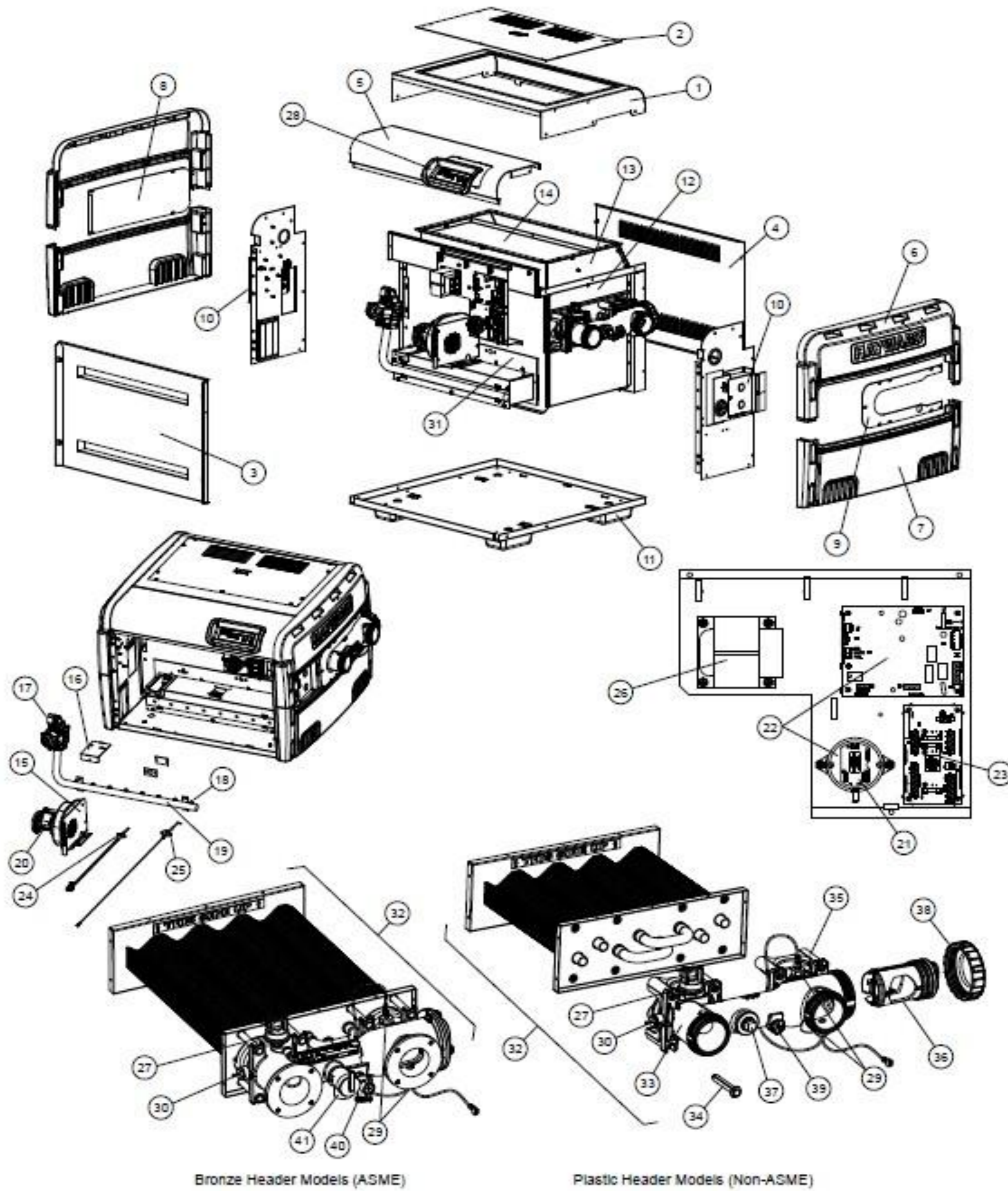
ATX Pool Spa Supply
(512) 351-4647



HAYWARD UNIVERSAL H-SERIES LOW NOX HEATER PARTS

Item #	Part No.	Description	List Price	Item #	Part No.	Description	List Price
1	***	Jacket Top and Flue Cover	CALL	29	FDXLHLI1930	High Limit 135°F Kit FD	79.84
2	***	Top/Flue Cover	CALL	30	FDXLTER1930	Thermistor FD	52.54
3	***	Front Access Door Assembly	CALL	31	FDXLGSK1934	CCFront-Air Box Gasket Kit FD	CALL
4	***	Rear Access Door Assembly	CALL	32	FDXLHXA1150	Heat Exchanger Assy H150FD	CALL
5	***	Top and Front Panel	CALL	32	FDXLHXA1200	Heat Exchanger Assy H200FD	CALL
6	FDXLUEC1930	Upper End Cap FD	CALL	32	FDXLHXA1250	Heat Exchanger Assy H250FD	CALL
7	FDXLLEC1930	Lower End Cap FD	CALL	32	FDXLHXA1300	Heat Exchanger Assy H300FD	CALL
8	FDXLLTP1930	Left Trim Panel Kit FD	CALL	32	FDXLHXA1350	Heat Exchanger Assy H350FD	CALL
9	FDXL RTP1930	Right Trim Panel Kit FD	CALL	32	FDXLHXA1400	Heat Exchanger Assy H400FD	CALL
10	FDXLRCB1930	Right Connection Box Kit (heaters before 09/09/08) FD	CALL	33	FDXLFHA1930	Header Assy FD	CALL
10	FDXLLCB1930	Left Connection Box Kit (heaters before 09/09/08) FD	CALL	34	FDXLHDW1930	Header Hardware Kit FD	CALL
11	FDXLPBL1930	Base Kit FD	CALL	35	FDXLHMB1930	Header Mounting Base Kit FD	CALL
13	FDXLRGK1250	Rain Guard Assy H250FD	CALL	36	FDXLBPK1930	Bypass Cartridge Kit FD	CALL
13	FDXLRGK1350	Rain Guard Assy H350FD	CALL	37	CHXPLG1930	3/4" NPT Brass Drain Plug FD	CALL
13	FDXLRGK1400	Rain Guard Assy H400FD	CALL	38	FDXLCRN1930	HEADER CARTRIDGE RETAINING NUT	CALL
14	FDXLHBP1150/1400	Heat Barrier Panel 150-400	CALL	39	SPX4000FG	Drain Plug W/Gasket	CALL
15	FDXLBBN1150/1400	Blower Inlet Baffle 150-400	CALL	40	FDXLDV1930A	Drain Valve, ASME	CALL
16	FDXLIAC1930	Igniter Access Cover	CALL	41	CHXRLV1930A	Pressure Relief Valve	CALL
17	FDXLGSV0001	Gas Valve NA-FD	CALL	NS	FDXLB RN1930	Burner Kit FD	CALL
17	FDXLGSV0002	Gas Valve LP-FD	CALL	NS	FDXLFOR1930	Heater O-Ring Kit FD	CALL
18	FDXLBON1930	Burner Orifice Kit NA-FD	CALL	NS	FDXLFSK1930	Fuse Service Kit FD	CALL
18	FDXLBOP1930	Burner Orifice Kit LP-FD	CALL	NS	FDXLGSK1930	Gasket Kit Airside All Models FD	CALL
19	FDXL MAN1150/1400	Gas Manifold Kit 150 - 400	CALL	NS	FDXLGSK1931	Gasket Kit Exhaust Side All Models FD	CALL
20	FDXLBWR1930	Combustion Blower kit FD	268.56	NS	FDXLGSK1933	Insulation Return Side Tube Sheet FD	CALL
21	FDXLBVS1930	Blower Vacuum Switch FD	CALL	NS	***	Indoor Vent Adapter Kit	CALL
22	FDXLICB1930	Control Board Kit FD	409.22	NS	FDXLTDK1930	Hurricane Tie Down Kit	CALL
23	FDXLFWP1930	Field Wiring Panel Kit FD	CALL	NS	FDXLWHA0001	Wire Harness Assy Kit FD	CALL
24	FDXLIGN1930	Ignitor Kit FD	CALL	NS	FDXLWHA1930	Wire Harness complete (Heaters after 09/09/08) FD	CALL
25	IDXLFLS1930	Flame Sensor H-Series Low Nox	78.54	NS	FDXLCNK0001	Conversion Kit NA to LP	CALL
26	IDXL2TRF1930	Transformer 120/240v 24 Vac	CALL	NS	FDXLCNK0002	Conversion Kit LP to Na	CALL
27	FDXLWPS1930	Pressure Switch FD	CALL				
28	IDXL2DB1930	Display Board H-Series	316.00				
28	FDXLBKP1930	Bezel & Keypad Assy Kit FD	104.00				
28	FDXLBKP1931	Bezel & Keypad Assy Kit FD (California only) FD	CALL				
28	FDXLGSK1932	Bezel / Top Gasket Kit	CALL				

HAYWARD UNIVERSAL H-SERIES LOW NOX HEATER PARTS

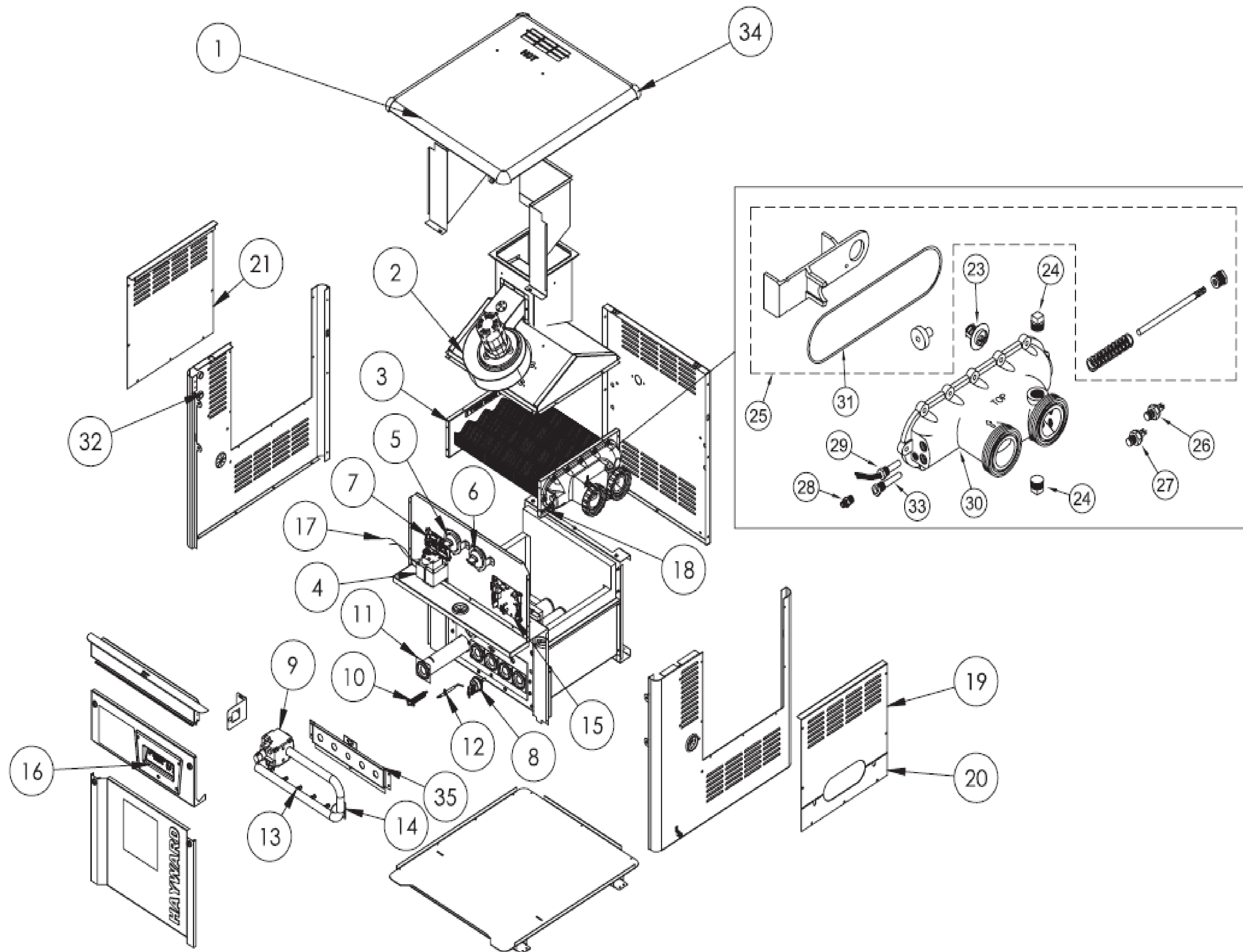




HAYWARD UNIVERSAL H-SERIES LOW NOX HEATER PARTS

Item #	Part No.	Description	List Price
1	IDXLJKT1250	Top Jacket Assembly – H250IDL	CALL
1	IDXLJKT1400	Top Jacket Assembly – H400IDL	CALL
2	IDXLBWR1931	Combustion Blower 120v	540.42
2	IDXL2BWR1931	Combustion Blower 120v after 09/20/04	CALL
2	IDXLBWR1930	Combustion Blower 240v	550.20
3	IDXLHXA1250	Heat Exchanger Assembly – H250IDL	CALL
3	IDXLHXA1400	Heat Exchanger Assembly – H400IDL	CALL
4	IHXTRF1931	Transformer 120v	CALL
4	IHXTRF1930	Transformer 240v	CALL
5	IDXLVPS1930	Vent Pressure Switch	CALL
5	IDXL2VPS1930	Vent Pressure Switch after 9/20/04	CALL
6	IDXLBVS1930	Blower Vacuum Switch	CALL
6	IDXL2BVS1930	Blower Vacuum Switch after 9/20/04	CALL
7	IDXL2FSB1930	Fuse Board After 9/20/04	CALL
7	IDXLTMB1930	Terminal Block – 4 Pole	CALL
8	HAXPSA1930	Pressure Switch Assembly	CALL
9	IDXLGSV0001	Gas Valve – Natural	CALL
9	IDXLGSV0002	Gas Valve – Propane	CALL
10	IDXLIGN1931	Ignitor 120V	CALL
10	IDXLIGN1930	Ignitor 240V	CALL
10	IDXL2IGN1930	Ignitor After 9/20/04	120.00
11	IDXL2BRNK1930	Burner Tube After 9/20/04 Set Of 8	CALL
12	IDXLFLS1930	Flame Sensor	58.54
13	IDXLBON1930	Burner Orifice – Natural Gas	CALL
13	IDXLBOP1930	Burner Orifice – Propane	CALL
14	HAXMAN1250	Gas Manifold – H250	CALL
14	HAXMAN1400	Gas Manifold – H400	CALL
15	IDXL2ICB1931	Integrated Control Board After 9/20/04	294.80
15	IHXILS1931	Interlock Switch 120V	CALL
15	IHXILS1930	Interlock Switch 240V	CALL

Item #	Part No.	Description	List Price
16	IDXL2BKP1930	Bezel And Keypad Assembly	CALL
16	IDXL2BKP1931	Bezel And Keypad Assembly - California	CALL
16	IDXLCPA1930	Control Bezel Assembly	CALL
16	IDXL2PBA1931	Control Bezel Assembly H400LDL CAL After 9	CALL
16	IDXL2DB1930	Display Board Only	CALL
17	IDXLWHM1931	Wire Harness Main 120V	CALL
17	IDXLWHM1930	Wire Harness Main 240V	CALL
17	IDXL2WHM1930	Wire Harness Main 240V After 9/20/04	CALL
18	HAXWHA0006	Wire Harness Hi-Limits	CALL
19	IDXLURA1930	Upper Right Access Cover	CALL
20	IDXLLRA1930	Lower Right Access Cover	CALL
21	IDXLLAC1930	Left Access Cover	CALL
23	HAXFCT1930	Flow Control Thermostat	CALL
24	CHXPLG1930	3/4In NPT Brass Plug	CALL
25	HAXBPK1932	Bi-Pass Valve Kit After 9/20/04	70.50
29	HAXHLI1930	Hi-Limit 135° F	44.72
30	HMXHLI2932	Hi-Limit 160° F	44.72
31	HAXDRV1930	Drain Valve Assembly	CALL
32	CHXPSA1930	Pressure Switch Adapter	CALL
33	HAXTBW1930	Bulb Well	CALL
34	HAXFHD1931	Front Header Only	182.06
35	HAXHOR1930	Header O-Ring	19.00
37	IDXLTER1930	Thermistor	130.94
38	HAXCIA1930	Corner Piece Kit	CALL
39	IDXL2PBA1931	Control Panel Assembly – California	CALL
39	IDXL2PBA1250	Control Panel Assembly – H250LDL	CALL
39	IDXL2PBA1400	Control Panel Assembly – H400LDL	CALL
39	IDXLCPA1401	Control Panel Assembly – H400EDL CAL	CALL
40	IDXLFHA1930	Front Header Assembly	CALL



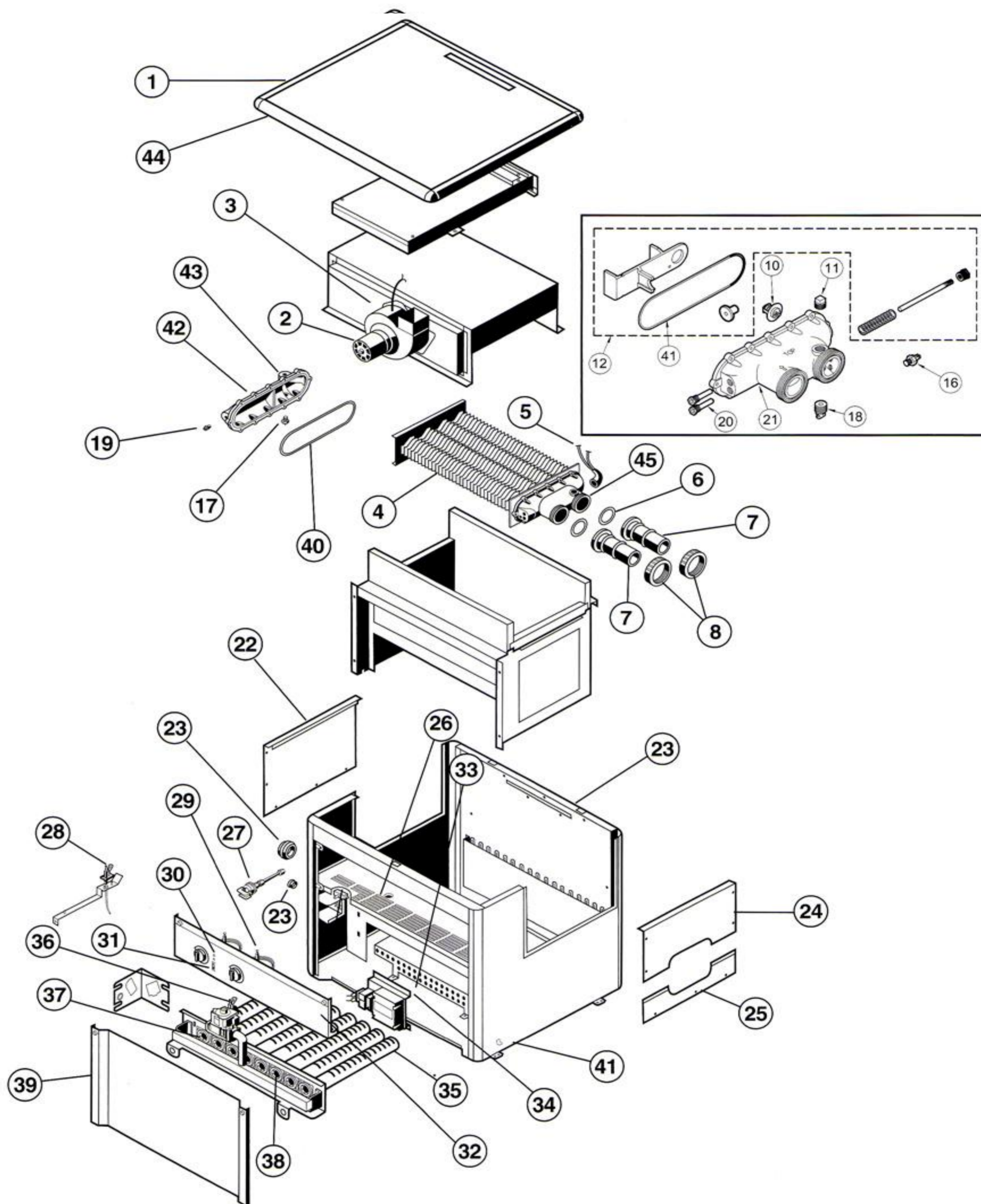


HAYWARD UNIVERSAL H-SERIES LOW NOX HEATER PARTS

Item #	Part No.	Description	List Price
1	IHXJKT1250	H series Jacket Top Assembly - H250ID1	NLA
1	IHXJKT1400	H series Jacket Top Assembly - H400ID1	NLA
2	IHXBWR1930	H series Combustion Blower	NLA
3	IHXBLG1930	H series Blower Gasket	NLA
4	HAXHXA1251	H series Heat Exchanger Assembly - H250ID	NLA
4	HAXHXA1401	H series Heat Exchanger Assembly - H400ID	NLA
5	HAXWHA0002	H series Rear Wire Harness	CALL
6	HAXFOR1930	Flange O-Rings	CALL
7	HAXNIP1930	H series Flange Pipe Nipples	CALL
8	HAXNUT1930	H series Union Nuts	CALL
10	HAXFCT1930	Hayward Flow Control Thermostat	CALL
11	CHXPLG1930	3/4" NPT Brass Plug	CALL
12	HAXBPK1931	Hayward By-Pass Valve Kit	CALL
16	HAXHLI1930	Hayward Heater Hi-Limit 135°F *	CALL
17	HMXHLI2932	Hayward Heater Hi-Limit 160°F	44.72
18	HAXDRV1930	Hayward Heater Drain Valve Assembly	CALL
19	CHXPSA1930	Hayward Heater Pressure Switch Adapter	CALL
20	HAXTBW1930	Bulb Well, Cotherm	CALL
21	HAXFHD1930	Front Header Only	CALL
22	IHXLAC1930	Left Access Cover	NLA
23	IHXPHK1930	Plastic Hardware Kit	NLA
24	IHXURA1930	Upper Right Access Cover	NLA
25	HAXLRA1931	Lower Right Access Cover	CALL
26	IHXILS1930	Interlock Switch	CALL
27	HAXPSA1930	Hayward Pressure Switch Assembly	CALL
28	HAXIGN1931	Hayward Igniter Assembly	CALL
29	HAXTST1930	Hayward H series Thermostat	CALL
30	HAXLDK1930	LED Kit	CALL

Item #	Part No.	Description	List Price
31	CHXTSW1930	System Switch	CALL
32	IHXCPA1250	Control Panel Assembly - H250ID1	NLA
32	IHXCPA1400	Control Panel Assembly - H400ID1	NLA
33	IHXTRF1930	Hayward H series Transformer	CALL
34	IHXMOD1931	Hayward H series Control Module	392.78
35	HAXBRN1930	Hayward H series Burner Tube	CALL
36	HAXGSV0004	Hayward H series Gas Valve, Propane	CALL
36	HAXGSV0005	Hayward H series Gas Valve, Natural Gas	CALL
37	HAXMAN1251	Hayward Gas Manifold - H250ID1	NLA
37	HAXMAN1401	Hayward Gas Manifold - H400ID1	NLA
--	IHXBMA1251	Burner Manifold Assembly - H250ID1	NLA
--	IHXBMA1252	Burner Manifold Assembly - H250IDP1	NLA
--	IHXBMA1401	Burner Manifold Assembly - H400ID1	NLA
--	IHXBMA1402	Burner Manifold Assembly - H400IDP1	NLA
38	HAXBON1930	Burner Orifice, Natural Gas	NLA
38	HAXBON1930	Burner Orifice, Propane	NLA
39	IHXFAD1250	Front Access Door Assembly - H250ID1	NLA
39	IHXFAD1400	Front Access Door Assembly - H400ID1	NLA
40	HAXHOR1930	Header O-Ring	CALL
41	CHXGRL1930	TA-2 Ground Lug	NLA
42	HAXRHD1930	Hayward Rear Header Only	CALL
43	HAXPLG1930	Hayward 1/4" NPT Brass Plug	NLA
44	HAXCIA1930	Corner Piece Kit (4)	CALL
45	HAXFHA1930	Hayward Front Header Assembly	CALL
--	IHXWHE1930	Wire Harness, El. Control (not shown)	CALL
--	IHXWHE1931	Wire Harness, El. Control (not shown) **	CALL
--	IHXWHC1930	Wire Harness Control Panel (not shown)	CALL
--	IHXWHJ1930	Wire Harness, Junction Box (not shown)	CALL

HAYWARD UNIVERSAL H-SERIES LOW NOX HEATER PARTS





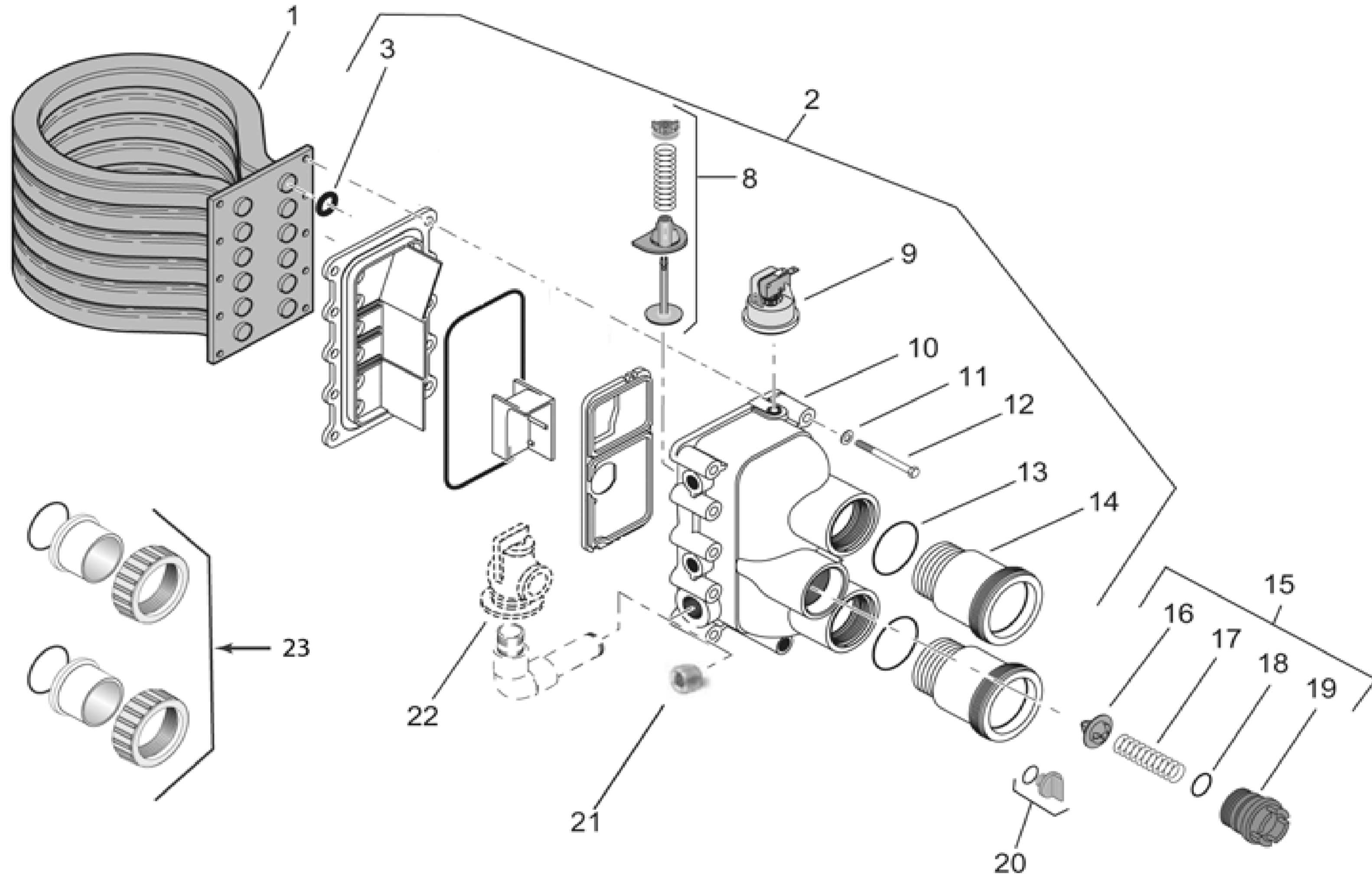
PENTAIR MASTER TEMP WATER SYSTEM REPLACEMENT PARTS

Item #	Part No.	Description	List Price
1	77707-0232	Tube Sheet Coil Assembly Kit (Includes Item No.3) Models 175NA, 175LP, 200NA, 200LP	CALL
1	474058	Tube Sheet Coil Assembly Kit (Includes Item No. 3) Models 175NA, 175LP, 200NA, 200LP ¹	CALL
1	460747	Tube Sheet Coil Assembly Kit (Includes Item No.3) Models 250NA, 250LP	CALL
1	474059	Tube Sheet Coil Assembly Kit (Includes Item No. 3) Models 250NA, 250LP ¹	CALL
1	77707-0233	Tube Sheet Coil Assembly Kit (Includes Item No.3) Models 300NA, 300LP	CALL
1	474060	Tube Sheet Coil Assembly Kit (Includes Item No. 3) Models 300NA, 300LP ¹	CALL
1	77707-0234	Tube Sheet Coil Assembly Kit (Includes Item No. 3) Models 400NA, 400LP	1,508.90
1	474061	Tube Sheet Coil Assembly Kit (Includes Item No. 3) Models 400NA, 400LP ¹	CALL
1	77707-0244	Tube Sheet Coil Assembly Kit (Includes Item No.3) Models 400HDNA, 400HD-LP	CALL
1	474065	Tube Sheet Coil Assembly Kit (Includes Item No. 3) Models 400HDNA, 400HD-LP ¹	CALL
1	473710	Tube Sheet Coil Assembly Kit HD Series - (Includes Item No. 3) Models 250HDNA, 250HD-LP	CALL
1	474063	Tube Sheet Coil Assembly Kit (Includes Item No. 3) Models 250HDNA, 250HD-LP ¹	CALL
2	77707-0014	Manifold Kit (Includes Item Nos. 3-14, 21, and Item Nos. 5-7 in "Electrical System", Models 175NA, 175LP, 200NA, 200LP	CALL
2	460748	Manifold Kit (Includes Item Nos. 3-14, 21, and Item Nos. 5-7 in "Electrical System", Models 250NA, 250LP	CALL
2	77707-0015	Manifold Kit (Includes Item Nos. 3-14, 21, and Item Nos. 5-7 in "Electrical System ", Models 300NA, 300LP	CALL
2	77707-0016	Manifold Kit (Includes Item Nos. 3-14, 21, and Item Nos. 5-7 in "Electrical System ", Models 400NA, 400LP	CALL
3	77707-0117	Coil/Tubesheet Sealing O-Ring Kit Models 175NA, 175LP, 200NA, 200LP (6)	CALL
3	460749	Coil/Tubesheet Sealing O-Ring Kit Models 250NA, 250LP (8)	CALL
3	77707-0118	Coil/Tubesheet Sealing O-Ring Kit Models 300NA, 300LP (10)	CALL
3	77707-0119	Coil/Tubesheet Sealing O-Ring Kit Models 400NA, 400LP (12)	CALL

Item #	Part No.	Description	List Price
8	77707-0001	Manifold Bypass Valve Kit	59.62
9	42001-0060S	Water Pressure Switch	105.56
9	473716Z	Water Pressure Switch (ASME only)	CALL
14	77707-0017	Connector Tube Kit (Includes 1 Connector Tube and 1 O-Ring)	CALL
15	77707-0010	Thermal Regulator Kit (Includes Item Nos. 16,17,18,19 and Spring Clip)	116.64
16	38000-0007S	Thermal Regulator (Includes Spring Clip)	75.00
18	35505-1313	O-Ring Thermal Regulator Cap	CALL
20	U178-920P	1/4" NPT Plug with O-Ring Drain Plug	5.00
21	U78-60ZPS	Zinc Plug 428-60 PS	CALL
22	473715Z	Pressure Relief Valve	CALL
23	PKG 188	2" Union Adapter Package (includes 2)	29.34
	77707-0120	O-Ring Kit (Incl. Item Nos. 3, 5)	58.80
	472648Z	Bypass Access Plug (ASME)	CALL
	460940	6 Tube Pressure Vessel Kit (ASME) ²	CALL
	474096	6 Tube Pressure Vessel Kit (ASME) ³	CALL
	460941	4 Tube Pressure Vessel Kit (ASME) ²	CALL
	474097	4 Tube Pressure Vessel Kit (ASME) ³	CALL
	460923	Bypass Valve Kit (ASME)	CALL
	460924	Thermal Regulator Kit (Incl. Spring Clip) (ASME)	CALL

1: For Heaters Manufactured after 1/12/09 (New Tub Design)
 2: For ASME Heaters Manufactured prior to 3/24/09 (Old Tub Design)
 3: For ASME Heaters Manufactured after 03/24/09 (New Tub Design)
 NOTE: Kits include Clamp, O-Ring, and Silicone Tube
 NOTE: Kits (New Tub Design) include: Clamp, O-Ring, Silicone Tube, and insulation (ASME version only)

PENTAIR MASTER TEMP WATER SYSTEM REPLACEMENT PARTS





PENTAIR MASTER TEMP BURNER SYSTEM REPLACEMENT PARTS

Item #	Part No.	Description	List Price
1	42001-0051S	Combination Gas Control Valve Kit	362.68
2	38404-4097S	3/4" Union	CALL
5	77707-0251	Air Blower Kit Natural Gas Units - 175NA, 200NA Model	CALL
5	460743	Air Blower Kit Natural Gas Units - 250NA Model	CALL
5	460757	Air Blower Kit Natural Gas Units - 300LP Model	CALL
5	77707-0253	Air Blower Kit Natural Gas Units - 400NA Model	777.30
5	77707-0254	Air Blower Kit Propane - 175LP, 200LP Model	CALL
5	460744	Air Blower Kit Propane Units (Models 250LP)	CALL
5	460758	Air Blower Kit Propane Units (Models 300LP)	CALL
5	77707-0256	Air Blower Kit Propane - 250LP Model	845.52
7	460798	Air Orifice Kit Model 175 (Includes Item Nos. 6 and 7)	CALL
7	77707-0111	Air Orifice Kit Model 200 (Includes Item Nos. 6 and 7)	CALL
7	460745	Air Orifice Kit Model 250 (Includes Item Nos. 6 and 7)	CALL
7	460759	Air Orifice Kit Model 300 (Includes Item Nos. 6 and 7)	CALL
7	77707-0113	Air Orifice Kit Model 400 (Includes Item Nos. 6 and 7)	CALL
15	42001-0200S	One Piece Metal Chamber/Combustion Chamber Assembly	CALL
15	474095	One Piece Metal Chamber/Combustion Chamber Assembly	CALL
20	42001-0214S	Metal Vent Cover Assembly	CALL

Item #	Part No.	Description	List Price
20	474094	One Piece Metal Elbow/Combustion Chamber Cover Assembly	CALL
21	42002-0005S	Metal Vent Cover	CALL
22	42002-0034Z	Heater, Top	CALL
23	42002-0039Z	Side Panel {Service Panel}	CALL
24	42002-0033Z	Side Panel {Manifold}	CALL
25	42002-0031	Heater Bottom	CALL
26	42002-0032Z	Side Panel	CALL
27	42002-0041	J Box Cover	CALL
N/A	460796	Gas Orifice Kit NG, Model 175 (Includes Item Nos. 3 and 4) ¹	CALL
N/A	77707-0431	Gas Orifice Kit NG, Model 200 (Incl. Key Nos. 3 and 4) ¹	CALL
N/A	460739	Gas Orifice Kit NG, Model 250 (Incl. Item Nos.3 and 4) ¹	CALL
N/A	460753	Gas Orifice Kit NG, Model 300 (Incl. Item Nos.3 and 4) ¹	CALL
N/A	77707-0411	Gas Orifice Kit NG, Model 400 (Incl. Item Nos. 3 and 4) ¹	CALL
N/A	460797	Gas Orifice Kit Propane, Model 175 (Includes Item Nos. 3 and 4) ¹	CALL
N/A	77707-0461	Gas Orifice Kit Propane, Model 200 (Incl. Item Nos.3 and 4) ¹	CALL
N/A	460740	Gas Orifice Kit Propane, Model 250 (Incl. Item Nos.3 and 4) ¹	CALL
N/A	460754	Gas Orifice Kit Propane, Model 300 (Incl. Item Nos.3 and 4) ¹	CALL
N/A	77707-0441	Gas Orifice Kit Propane, Model 400 (Incl. Item Nos.3 and 4) ¹	CALL

1: Not included with heater. Order separately.

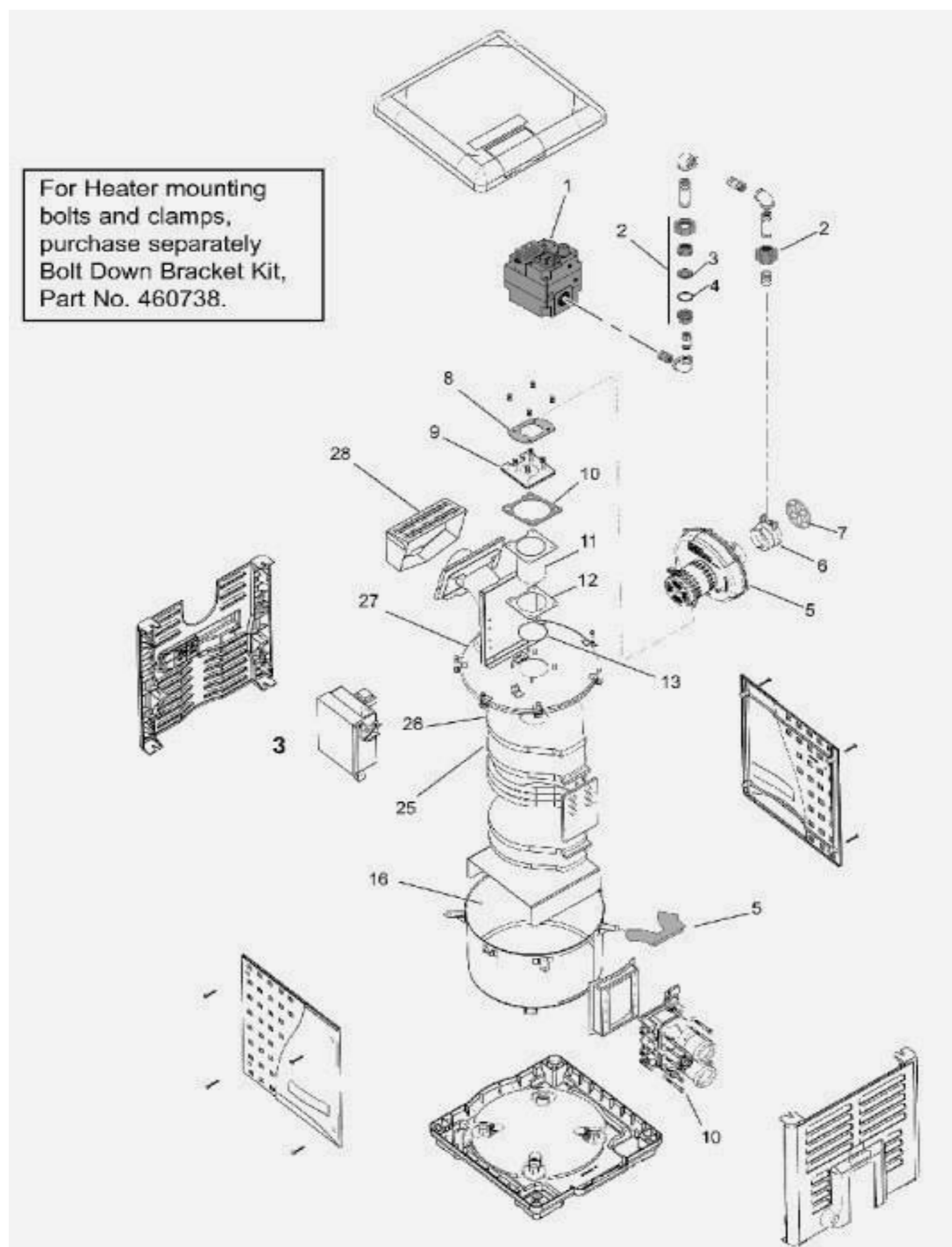
2: For Heaters Manufactured After 01/12/09 (New Tub Design)

NOTE: Kits include Clamp Assembly, O-Ring and Silicone Tube



PENTAIR MASTER TEMP BURNER SYSTEM REPLACEMENT PARTS

Item #	Part No.	Description	List Price	Item #	Part No.	Description	List Price
N/A	460794	NG to Propane Conversion Kit (Incl. Item Nos.3 and 4) ¹	CALL	N/A	77707-1411	Propane to NG Conversion Kit Model 400 (Incl. Key Nos. 3 and 4) ¹	CALL
N/A	77707-1461	NG to Propane Conversion Kit Model 175 (Incl. Item Nos. 3 and 4) ¹	CALL	N/A	77707-0011	Blower/Adapter Plate Gasket Kit (Includes Item Nos. 8, 9, 10, 12)	CALL
N/A	460741	NG to Propane Conversion Kit Model 250 (Incl. Item Nos. 3 and 4) ¹	CALL	N/A	77707-0202	Flameholder Kit Model 175, Model 200 (Includes Item Nos. 10, 11, 12, 13)	CALL
N/A	460755	NG to Propane Conversion Kit Model 300 (Incl. Item Nos. 3 and 4) ¹	CALL	N/A	460746	Flameholder Kit Model 250 (Includes Item Nos. 10, 11, 12, 13 and Flameholder insert)	CALL
N/A	77707-1441	NG to Propane Conversion Kit Model 400 (Incl. Item Nos. 3 and 4) ¹	CALL	N/A	77707-0203	Flameholder Kit Model 300 (Includes Item Nos. 10, 11, 12, 13 and Flameholder insert)	CALL
N/A	460795	Gas Orifice Kit Model 175 (Incl. Item Key 3 and 4) ¹	CALL	N/A	77707-0204	Flameholder Kit Model 400 (Includes Item Nos. 10, 11, 12, 13 and Flameholder insert)	CALL
N/A	77707-1431	Propane to NG Conversion Kit Model 200 (Incl. Key Nos. 3 and 4) ¹	CALL	N/A	77707-0008	Insulation Kit (Includes Item Nos. 13, 14, 16, 17, 18 and 19)	CALL
N/A	460742	Propane to NG Conversion Kit Model 250 (Incl. Key Nos. 3 and 4) ¹	CALL	N/A	42001-0074S	One Piece Metal Chamber/Combustion Chamber Assembly	CALL
N/A	460756	Propane to NG Conversion Kit Model 300 (Incl. Key Nos. 3 and 4) ¹	CALL	N/A	42001-0214S	Metal Vent Cover Assembly	CALL

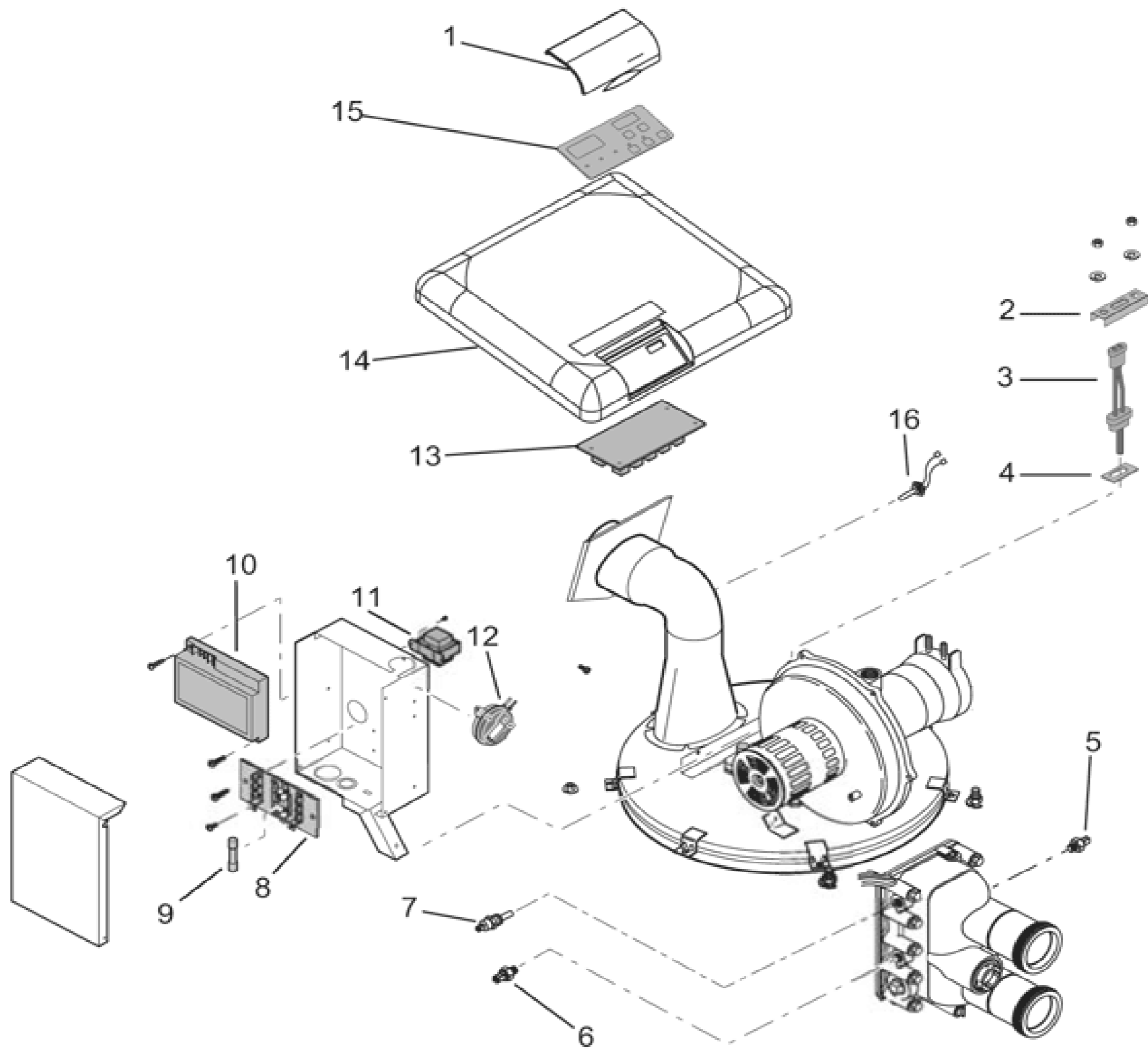




PENTAIR MASTER TEMP ELECTRICAL SYSTEM REPLACEMENT PARTS

Item #	Part No.	Description	List Price
1	42002-0035Z	Heater Display Cover	CALL
2	42001-0030S	Igniter Bracket	CALL
3	77707-0054	Igniter/Igniter Gasket Kit (Includes Item Nos. 3 and 4)	101.42
4	42001-0066S	Igniter Gasket	CALL
5	42002-0025S	Automatic Gas Shutoff Switch (AGS)	CALL
6	42001-0063S	High Limit Switch	69.70
7	42001-0053S	Thermistor	83.84
8	42001-0056S	Terminal Board	CALL
9	32850-0099	Fireman's Switch Fuse (1.25A, 1-1/4")	CALL

Item #	Part No.	Description	List Price
10	42001-0052S	Ignition Control Module	299.00
11	42001-0107S	Transformer, 115/230V	76.16
12	42001-0061S	Air Flow Switch	CALL
13	42002-0007S	Control Board Kit (NA, LP Series)	647.42
14	42002-0034Z	Control Board Kit (NA, LP Series)	CALL
15	472610Z	Membrane Pad (NA, LP Series)	CALL
16	42002-0024S	Stack Flue Sensor	CALL
	42001-0104S	Heater Wiring Harness -115/230V	CALL
	42001-0105S	120/240 Volt Plug Kit	CALL

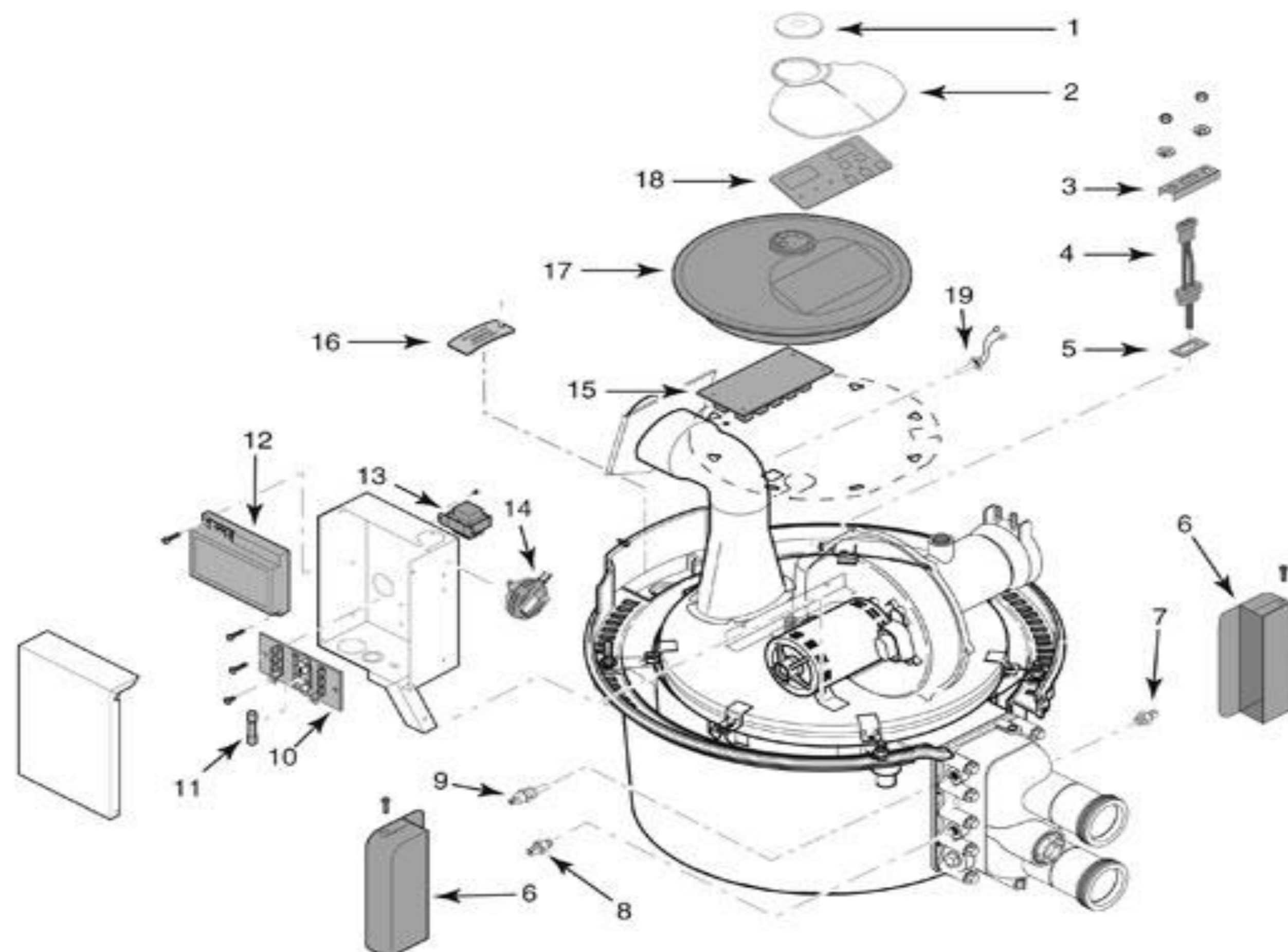




PENTAIR MASTER TEMP ELECTRICAL SYSTEM REPLACEMENT PARTS

Item #	Part No.	Description	List Price
1	77707-0009	Display Cover Retainer Cap Kit, Cap and CPSC Warning Label	CALL
2	42001-0008S	Heater Display Cover	CALL
3	42001-0030S	Igniter Bracket	CALL
4	77707-0054	Igniter/Igniter Gasket Kit (Incl. Key Nos. 4 and 5)	101.42
5	42001-0066S	Igniter Gasket	CALL
6	42001-0007S	Manifold Switch Cover	CALL
7	42002-0025S	Automatic Gas Shutoff Switch (AGS)	CALL
8	42001-0063S	High Limit Switch	69.80
9	42001-0053S	Thermistor	83.84
10	42001-0056S	Terminal Board	CALL
11	32850-0099	Fireman's Switch Fuse (1.25A, 1-1/4")	CALL
12	42001-0052S	Ignition Control Module	299.00
13	42001-0107S	Transformer, 115/230V	76.16
14	42001-0061S	Air Flow Switch	CALL

Item #	Part No.	Description	List Price
15	42001-0096S	Control Board Kit (HD Series)	CALL
15	42002-0007S	Control Board Kit (NA, LP Series)	
16	77707-0022	Junction Box Cover Kit	CALL
18	42002-0029Z	Switch Membrane Replacement (ASME)	137.00
19	42002-0024S	Stack Flue Sensor	112.70
19b	42002-0009	Stack Flow Switch	CALL
	42001-0104S	Heater Wiring Harness -115/230V	CALL
	42001-0105S	120/240 Volt Plug Kit	CALL
	77707-0004	Control Board Enclosure/Membrane Panel Kit, HD Series (Incl. 17, 18)	CALL
	77707-0013	Control Board Enclosure/Membrane Panel Kit, NA, LP Series (Incl. 17, 18)	470.00
	42002-0009	Temp Probe	CALL
	42001-0057S	Transformer 120/240 (Dual and Single Adapter)	71.94
	42001-0247	Blower Adaptor Single/Dual voltage	CALL





PENTAIR MAX-E-THERM BURNER SYSTEM REPLACEMENT PARTS

Item #	Part No.	Description	List Price
1	42001-0051S	Combination Gas Control Valve Kit	361.68
2	38404-4097S	3/4" Union	CALL
5	77707-0251	Air Blower Kit Natural - 200 Model	CALL
5	77707-0252	Air Blower Kit Natural - 333 Model	CALL
5	77707-0253	Air Blower Kit Natural - 400 Model	CALL
5	77707-0254	Air Blower Kit Propane - 200 Model	CALL
5	77707-0255	Air Blower Kit Propane - 333 Model	CALL
5	77707-0256	Air Blower Kit Propane - 400 Model	CALL
7	42001-0114	Air Orifice	CALL
14	77707-0002	Enclosure Kit Upper Right-Hand	CALL
16	42001-0200S	One Piece Metal Chamber/Combustion Chamber Assembly	CALL
16	474095	One Piece Metal Chamber/Combustion Chamber Assembly ²	CALL
17	42001-0001S	Lower Enclosure	CALL
19	77707-3200N	Enclosure Kit Upper Left-Hand – Natural 200 Model	CALL
19	77707-3333N	Enclosure Kit Upper Left-Hand – Natural 333 Model	CALL
19	77707-3400N	Enclosure Kit Upper Left-Hand – Natural 400 Model	CALL
19	77707-3200L	Enclosure Kit Upper Left-Hand – Propane 200 Model	CALL
19	77707-3333L	Enclosure Kit Upper Left-Hand – Propane 333 Model	CALL
19	77707-3400L	Enclosure Kit Upper Left-Hand – Propane 400 Model	CALL
27	42001-0214S	Metal Vent Cover Assembly	CALL
27	474094	One Piece Metal Elbow/Combustion Chamber Cover Assembly ²	CALL

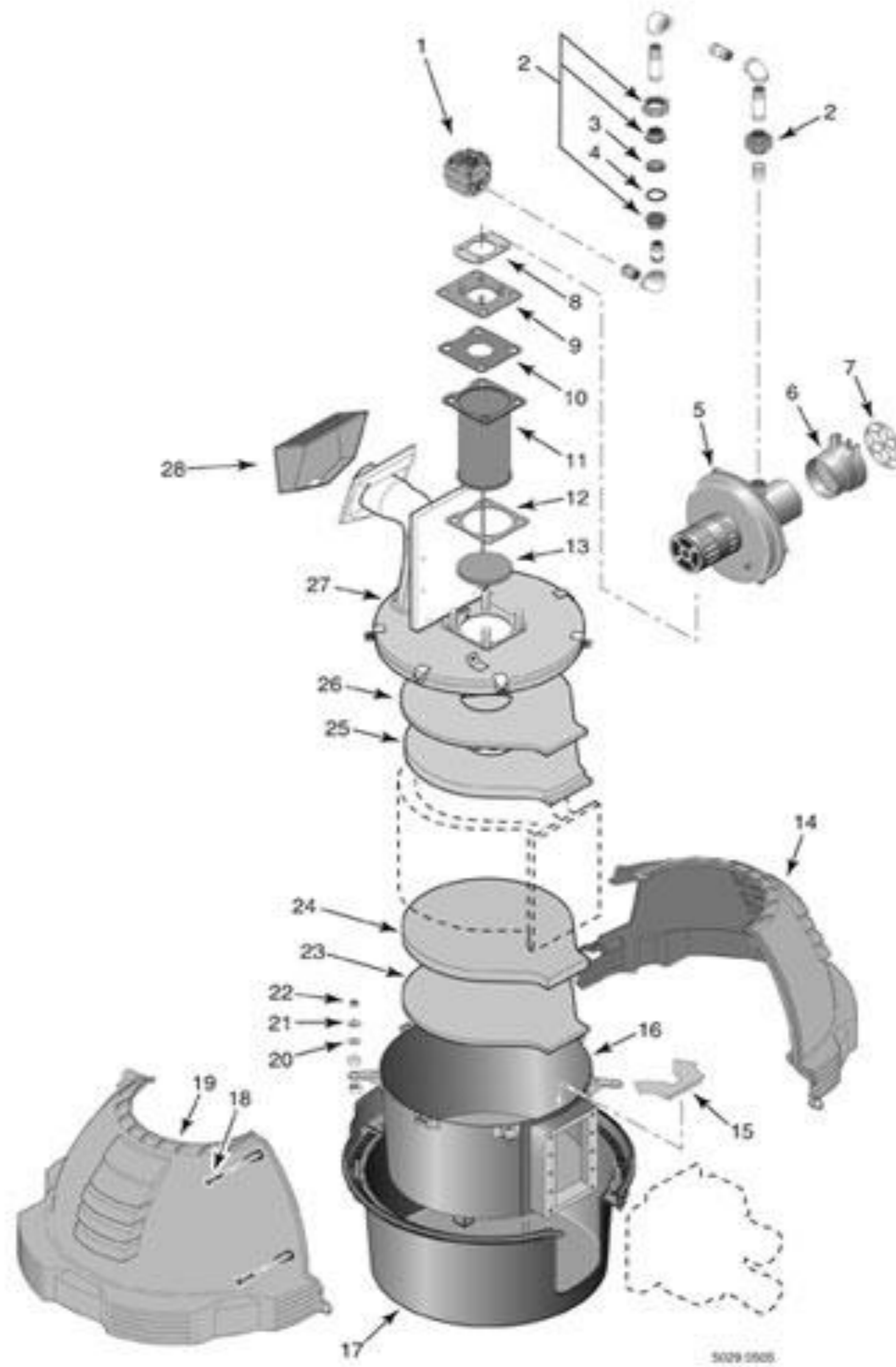
Item #	Part No.	Description	List Price
28	42002-0005S	Metal Vent Cover	CALL
29	42001-0074S	One Piece Metal Chamber/Combustion Chamber Assembly	CALL
	77707-0431	Gas Orifice Kit Natural - 200 Model (Incl. 3 & 4) ¹	CALL
	77707-0421	Gas Orifice Kit Natural - 333 Model (Incl. 3 & 4) ¹	CALL
	77707-0411	Gas Orifice Kit Natural - 400 Model (Incl. 3 & 4) ¹	CALL
	77707-0461	Gas Orifice Kit Propane - 200 Model (Incl. 3 & 4) ¹	CALL
	77707-0451	Gas Orifice Kit Propane - 333 Model (Incl. 3 & 4) ¹	CALL
	77707-0441	Gas Orifice Kit Propane - 400 Model (Incl. 3 & 4) ¹	CALL
	77707-1461	NG to Propane Conversion Kit 200 Model (Incl. 3 & 4) ¹	CALL
	77707-1451	NG to Propane Conversion Kit 333 Model (Incl. 3 & 4) ¹	CALL
	77707-1441	NG to Propane Conversion Kit 400 Model (Incl. 3 & 4) ¹	CALL
	77707-1431	Propane to NG Conversion Kit 200 Model (Incl. 3 & 4) ¹	CALL
	77707-1421	Propane to NG Conversion Kit 333 Model (Incl. 3 & 4) ¹	63.04
	77707-1411	Propane to NG Conversion Kit 400 Model (Incl. 3 & 4) ¹	53.22
	77707-0111	Air Orifice Kit (Incl. 6 & 7)	CALL
	77707-0011	Blower/Adapter Plate Gasket Kit (Incl. 6 & 7)	CALL
	77707-0202	Flameholder Kit 200 Model (Incl. 10, 11, 12 & 13)	CALL
	77707-0203	Flameholder Kit 333 Model (Incl. 10, 11, 12, 13, & Flameholder Insert)	CALL
	77707-0204	Flameholder Kit 400 Model (Incl. 10, 11, 12, 13, & Flameholder Insert)	CALL
	77707-0008	Insulation Kit (Includes Item Nos. 15, 23, 24, 25 & 26)	CALL
	42001-0074S	One Piece Metal Chamber/Combustion Chamber Assembly	CALL

1: Not included with heater. Order separately.

2: For Heaters Manufactured after 01/12/09 (New Tub Design)

NOTE: Kits include Clamp assembly, O-Ring and silicone tube

PENTAIR MAX-E-THERM BURNER SYSTEM REPLACEMENT PARTS





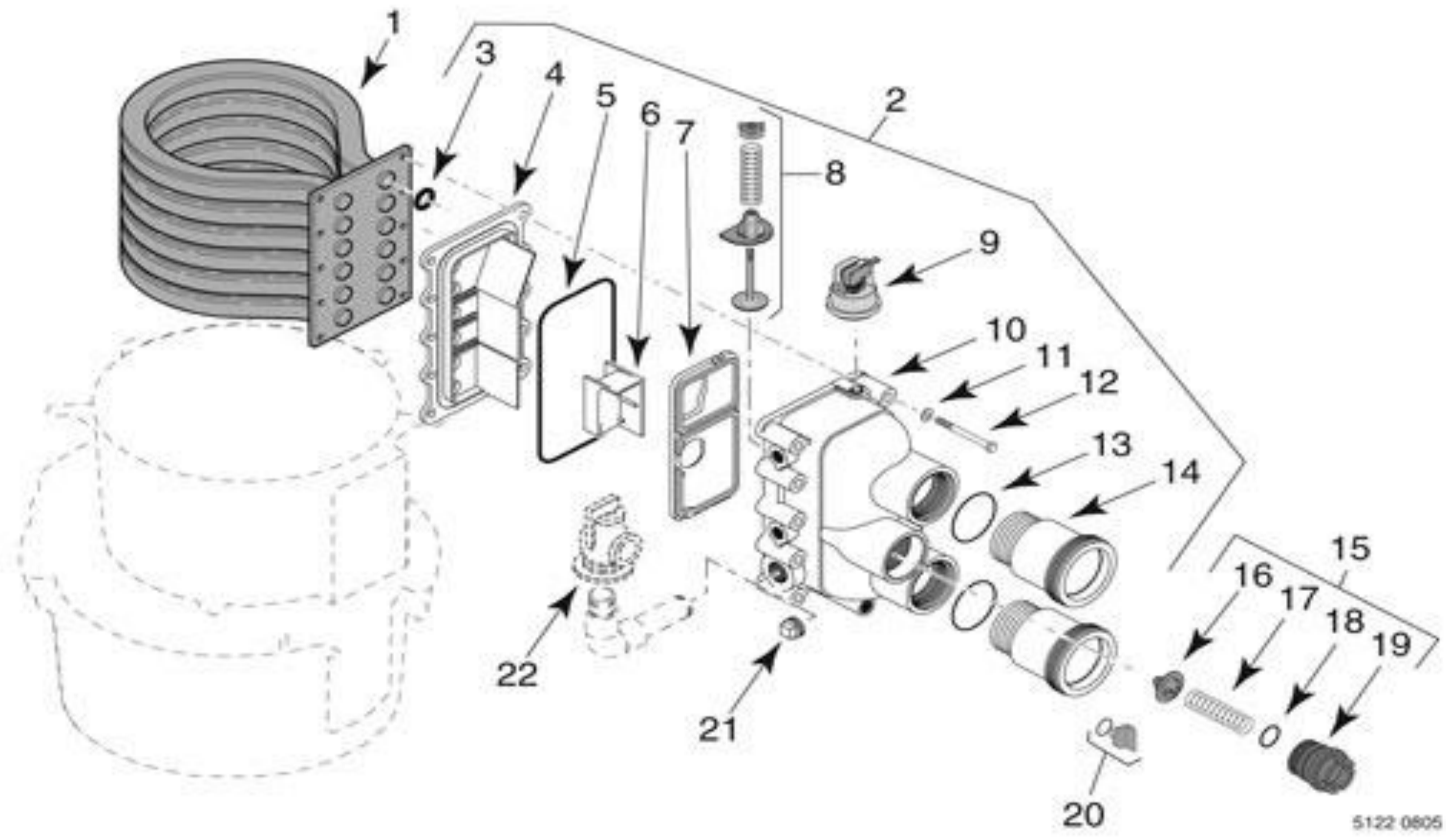
PENTAIR MAX-E-THERM WATER SYSTEM REPLACEMENT PARTS

Item #	Part No.	Description	List Price
1	77707-0232	Tube Sheet Coil Assembly Kit (Includes Item No.3) Models 175NA, 175LP, 200NA, 200LP	CALL
1	474058	Tube Sheet Coil Assembly Kit (Includes Item No. 3) Models 175NA, 175LP, 200NA, 200LP ¹	CALL
1	77707-0233	Tube Sheet Coil Assembly Kit (Includes Item No.3) Models 300NA, 300LP	CALL
1	474060	Tube Sheet Coil Assembly Kit (Includes Item No. 3) Models 300NA, 300LP ¹	CALL
1	77707-0234	Tube Sheet Coil Assembly Kit (Includes Item No. 3) Models 400NA, 400LP	1,508.90
1	474061	Tube Sheet Coil Assembly Kit (Includes Item No. 3) Models 400NA, 400LP ¹	CALL
1	77707-0242	Tube Sheet Coil Assembly Kit (HD Series) (Incl. No. 3) - 200 Models	CALL
1	470262	Tube Sheet Coil Assembly Kit (HD Series) (Incl. No 3) - 200 Models ¹	CALL
1	77707-0243	Tube Sheet Coil Assembly Kit (HD Series) (Incl. No. 3) - 333 Models	CALL
1	474064	Tube Sheet Coil Assembly Kit (HD Series) (Incl. No. 3) - 400 Models ¹	CALL
1	77707-0244	Tube Sheet Coil Assembly Kit (Includes Item No.3) Models 400HDNA, 400HD-LP	CALL
1	474065	Tube Sheet Coil Assembly Kit (Includes Item No. 3) Models 400HDNA, 400HD-LP ¹	CALL
2	77707-0014	Manifold Kit (Includes Item Nos. 3-14, 21, and Item Nos. 5-7 in "Electrical System", Models 175NA, 175LP, 200NA, 200LP	CALL
2	77707-0015	Manifold Kit (Includes Item Nos. 3-14, 21, and Item Nos. 5-7 in "Electrical System ", Models 300NA, 300LP	CALL
2	77707-0016	Manifold Kit (Includes Item Nos. 3-14, 21, and Item Nos. 5-7 in "Electrical System ", Models 400NA, 400LP	CALL
2	474200	Basic Manifold Kit (Incl. Nos. 3, 10-14)	270.00
3	77707-0117	Coil/Tubesheet Sealing O-Ring Kit Models 175NA, 175LP, 200NA, 200LP (6)	CALL
3	77707-0118	Coil/Tubesheet Sealing O-Ring Kit Models 300NA, 300LP (10)	CALL
3	77707-0119	Coil/Tubesheet Sealing O-Ring Kit Models 400NA, 400LP (12)	CALL

Item #	Part No.	Description	List Price
7	77707-0017	Connector Tube Kit (Includes 1 Connector Tube and 1 O-Ring)	CALL
9	473716Z	Water Pressure Switch (ASME)	CALL
15	77707-0010	Thermal Regulator Kit (Incl. Key 16-19 and Spring Clip)	CALL
16	38000-0007S	Thermal Regulator (Includes Spring Clip)*	75.00
19	35505-1313	Thermal Regulator Cap O-Ring (O-Ring Only)	CALL
20	U178-920P	Drain Plug	5.00
21	U78-60ZPS	3/4" Pipe Plug	CALL
22	473715Z	Kit Pressure Relief Valve	CALL
23	PKG 188	2" Union Adapter Package (includes 2)	29.34
	47268Z	Bypass Access Plug (AMSE)	CALL
	77707-0120	O-Ring Kit (Incl. Nos. 3, 5)	58.80
	460940	6 Tube Pressure Vessel Kit (ASME) ²	CALL
	474096	6 Tube Pressure Vessel Kit (ASME) ³	CALL
	460923	Bypass Valve Kit	CALL
	460924	Thermal Regulator Kit (ASME) (Incl. spring clip & install tools)	CALL
	460941	4 Tube Pressure Vessel Kit (ASME) ²	CALL
	474097	4 Tube Pressure Vessel Kit (ASME) ³	CALL

1: For Heaters Manufactured after 01/12/09 (New Tub Design)
 2: For ASME Heaters Manufactured Prior to 03/24/09 (Old Tub Design)
 3: For ASME Heaters Manufactured After 03/24/09 (New Tub Design)
 NOTE: Kits include Clamp assembly, O-Ring and Silicone Tube

PENTAIR MAX-E-THERM WATER SYSTEM REPLACEMENT PARTS





PENTAIR NT STD HEATER W/6800 CONTROLLER PARTS

Item #	Part No.	Description	List Price
1	472352	Exhaust grill w/gasket ¹	CALL
2	471701	Gasket, exhaust grill ¹	CALL
3	472353	Top cover w/posts Model 200	CALL
3	472354	Top cover w/posts Model 250	CALL
3	472355	Top cover w/posts Model 300	CALL
3	472356	Top cover w/posts Model 400	CALL
4	472373	Exhaust assembly ³	CALL
4	472376	Exhaust assembly Model 250	CALL
5	472361	Blower w/gasket Model 200	CALL
5	472362	Blower w/gasket ²	774.12
5	472374	Blower w/gasket Model 400	CALL
6	471610	Gasket, blower	CALL
7	472008	Flue collector Model 200	CALL
7	472007	Flue collector Model 250	CALL
7	472006	Flue collector Model 300	CALL
7	472005	Flue collector Model 400	CALL
8	472270	Insulation, header/Hi-limit ¹	CALL
9	471991	Return header assembly ¹	95.36
10	471622	Bolt, heat exchanger ¹	CALL
11	72184	Washer, flat 3/8" ID x 7/8" OD .05 Thk 18-8 s/s - (qty. 5 ¹ & qty. 9) heat exchanger ¹	CALL
12	471904	Fire box assembly Model 200	CALL
12	471835	Fire box assembly Model 250	CALL
12	471922	Fire box assembly Model 300	CALL
12	472332	Fire box assembly Model 400	CALL
13	471910	Heat exchanger w/ headers Model 200	CALL
13	471785	Heat exchanger w/ headers Model 250	CALL
13	471928	Heat exchanger w headers Model 300	CALL
13	471838	Heat exchanger w headers Model 400	CALL
13	471933	Heat exchanger w/o headers Model 200	CALL
13	471934	Heat exchanger w/o headers Model 250	CALL
13	471935	Heat exchanger w/o headers Model 300	CALL
13	471936	Heat exchanger w/o headers Model 400	CALL

Item #	Part No.	Description	List Price
13	470371	Heat exchanger w/headers, ASME Model 200	CALL
13	470372	Heat exchanger w/headers, ASME Model 250	CALL
13	470373	Heat exchanger w/headers, ASME Model 300	CALL
13	470375	Heat exchanger w/headers, ASME Model 400	CALL
14	471642	Baffle, heat exchanger Model 200	CALL
14	471641	Baffle, heat exchanger Model 250	CALL
14	471896	Baffle, heat exchanger Model 300	CALL
14	471640	Baffle, heat exchanger Model 400	CALL
15	471566	Thermistor probe ¹	60.54
16	471587	Hi-limit thermostat 115 degrees ¹	50.66
17	471694	Hi-limit thermostat 150 degrees ¹	61.34
18	470190	Water pressure switch ASME ¹	CALL
18	473605	Switch, water pressure NON ASME ¹	78.90
19	472363	In/out top sub-header assembly ¹	CALL
20	471992	In/out main header assembly ¹	496.42
21	472364	In/out bottom sub-header ¹	CALL
22	471420	Cap, in/out main manifold bottom ¹	CALL
23	274494	O-ring adapter ¹	CALL
24	274440	Nut, adapter ¹	21.10
25	471441	Adaptor, bulkhead, 2 in. ¹	21.30
26	70951	Gasket, fin tube, seal ¹	2.50
27	471750	Flow valve assembly ¹	216.64
28	472330	Power element, flow valve ¹	CALL
29	472365	Sub-gas manifold w/plug ¹	CALL
30	470760	Gas valve, natural gas ¹	CALL
30	470761	Gas valve, propane	CALL
31	460784	Kit, burner NT STD 200 NA/LP Model 200	CALL
31	460785	Kit, burner NT STD 250 NA/LP Model 250	CALL
31	460786	Kit, burner NT STD 300 NA/LP Model 300	CALL
31	460787	Kit, burner NT STD 400 NA/LP Model 400	546.18
32	460799Z	Igniter ¹	149.00
33	472370	Window glass w/ holder	CALL
34	471603	Electrode ¹	33.90

1: Part No. used in Model Nos., 200, 250, 300, 400.

2: Part No. used in Model Nos., 250, 300.

3: Part No. used in Model Nos., 200, 300, 400.

4: Qty. = Model 200 (4 ea.), 250 (5 ea.), 300 (6 ea.), 350 (7 ea.), 400 (8 ea.).

5: Qty. = Model 200 (2 ea.), 250 (3 ea.), 300 (4 ea.), 400 (6 ea.).

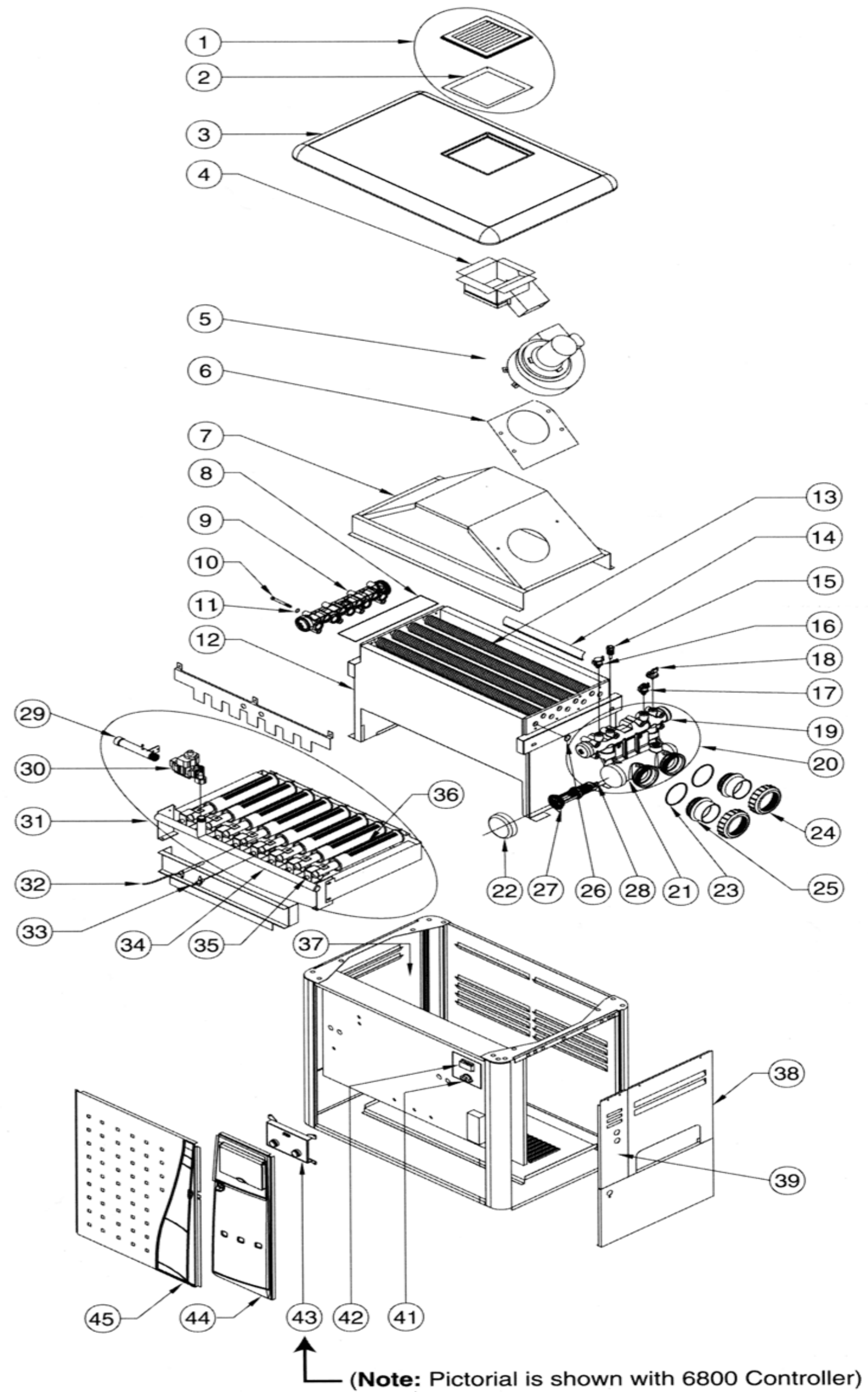
6: Kit includes gas valve, elbow, mounting bracket, and side panel



PENTAIR NT STD HEATER W/6800 CONTROLLER

Item #	Part No.	Description	List Price	Item #	Part No.	Description	List Price
35	471892	Gas manifold w/out orifices, natural or propane Model 200	CALL	N/A	75173	Thermal cutoff	19.50
35	471661	Gas manifold w/out orifices, natural or propane Model 250	CALL	N/A	472508	Transformer, 40 VA	68.04
35	471889	Gas manifold w/out orifices, natural or propane Model 300	CALL	N/A	472375	Wire harness assembly	CALL
35	471708	Gas manifold w/out orifices, natural or propane Model 400	CALL	N/A	460506	Indoor vent adaptor, 4 in	CALL
37	70230	Burner ^{1,5}	CALL	N/A	460507	Indoor vent adaptor, 5 in.	CALL
37	471970	Burner w/bracket ¹	CALL	N/A	470184	Knob, T-Stat board	CALL
38	471575	Jacket, upper panel, left ¹	CALL	N/A	470181	T-Stat board knob stem	CALL
39	471576	Jacket, upper panel, right ¹	CALL	N/A	470328	Fan Tubing	CALL
40	471767	Jacket, upper subplate ¹	CALL	N/A	471548	Control Panel Cover	CALL
42	460783	Module, ignition control ¹	CALL	N/A	471773	Power Switch	CALL
43	472086	Temperature controller assembly ¹	492.46	N/A	471715	Top Panel Clips	CALL
44	471727	Right door assembly with controller ¹	CALL	N/A	471549	Control Cover Hinge	CALL
44	472372	Right door assembly w/o controller ¹	CALL				
45	471900	Left door assembly Model 200	CALL				
45	472318	Left door assembly Model 250	CALL				
45	471918	Left door assembly Model 300	CALL				
45	471726	Left door assembly Model 400	CALL				

MiniMax NT STD Heater — (Non-ASME Shown)





PENTAIR NT STD HEATER W/DDTC CONTROLLER PARTS

Item #	Part No.	Description	List Price
1	472352	Exhaust grill w/gasket ¹	CALL
2	471701	Gasket, exhaust grill ¹	CALL
3	472353	Top cover w/posts Model 200	CALL
3	472354	Top cover w/posts Model 250	CALL
3	472355	Top cover w/posts Model 300	CALL
3	472356	Top cover w/posts Model 400	CALL
4	472373	Exhaust assembly ²	CALL
4	472376	Exhaust assembly Model 250	CALL
5	472361	Blower w/gasket Model 200	CALL
5	472362	Blower w/gasket ³	774.12
5	472374	Blower w/gasket Model 400	CALL
6	471610	Gasket, blower ¹	CALL
7	472008	Flue collector Model 200	CALL
7	472007	Flue collector Model 250	CALL
7	472006	Flue collector Model 300	CALL
7	472005	Flue collector Model 400	CALL
8	472270	Insulation, header/Hi-limit ¹	CALL
9	471991	Return header assembly ¹	95.72
10	471622	Bolt, heat exchanger ¹	CALL
11	72184	Washer, flat 3/8" ID x 7/8" OD .05 Thk 18-8 s/s - (qty. 5 ¹ & qty. 9) ¹	CALL
12	471904	Fire box assembly Model 200	CALL
12	471835	Fire box assembly Model 250	CALL
12	471922	Fire box assembly Model 300	CALL
12	472332	Fire box assembly Model 400	CALL
13	471910	Heat exchanger w/ headers Model 200	CALL
13	471785	Heat exchanger w/ headers Model 250	CALL
13	471928	Heat exchanger w headers Model 300	CALL
13	471838	Heat exchanger w headers Model 400	CALL
13	471933	Heat exchanger w/o headers Model 200	CALL
13	471934	Heat exchanger w/o headers Model 250	CALL
13	471935	Heat exchanger w/o headers Model 300	CALL
13	471936	Heat exchanger w/o headers Model 400	CALL
14	471642	Baffle, heat exchanger Model 200	CALL
14	471641	Baffle, heat exchanger Model 250	CALL
14	471896	Baffle, heat exchanger Model 300	CALL
14	471640	Baffle, heat exchanger Model 400	CALL
15	471566	Thermistor probe	60.54
16	471587	Hi-limit thermostat 115 degrees ¹	50.66

Item #	Part No.	Description	List Price
17	471694	Hi-limit thermostat 150 degrees ¹	61.34
18	472125	Water pressure switch ¹	CALL
19	472363	In/out top sub-header assembly ¹	CALL
20	471992	In/out main header assembly ¹	496.42
21	472364	In/out bottom sub-header ¹	CALL
22	471420	Cap, in/out main manifold bottom ¹	CALL
23	274494	O-ring ¹	CALL
24	274440	Nut, adapter bulkhead ring ¹	21.10
25	471441	Adaptor, bulkhead, 2 in. ¹	21.30
26	70951	Gasket, fin tube, seal ¹	2.50
27	471750	Flow valve assembly ¹	216.64
28	472330	Power element, flow valve ¹	CALL
29	470760	Gas valve, natural gas ¹	CALL
29	470761	Gas valve, propane ¹	CALL
30	460784	Kit, burner NT STD 200 NA/LP Model 200	CALL
30	460785	Kit, burner NT STD 250 NA/LP Model 250	CALL
30	460786	Kit, burner NT STD 300 NA/LP Model 300	CALL
30	460787	Kit, burner NT STD 400 NA/LP Model 400	546.18
30	460784	Burner Tray Assembly Model 200, propane	CALL
31	472604	Igniter ¹	94.94
32	471603	Electrode ¹	33.90
33	471892	Gas manifold w/o orifices, natural or propane Model 200	CALL
33	471661	Gas manifold w/o orifices, natural or propane Model 250	CALL
33	471889	Gas manifold w/o orifices, natural or propane Model 300	CALL
33	471708	Gas manifold w/o orifices, natural or propane Model 400	CALL
35	70230	Burner ^{1,5}	CALL
35	471970	Burner w/bracket ¹	CALL
36	471575	Jacket, upper panel, left ¹	CALL
37	471576	Jacket, upper panel, right ¹	CALL
38	471767	Jacket, upper subplate ¹	CALL
41	472447	Module, ignition control ¹	264.40
42	472100	DDTC board ¹	551.14
43	471727	Right door assembly with controller ¹	CALL
43	472372	Right door assembly w/o controller ¹	CALL
44	471900	Left door assembly Model 200	CALL
44	472318	Left door assembly Model 250	CALL
44	471918	Left door assembly Model 300	CALL
44	471726	Left door assembly Model 400	CALL

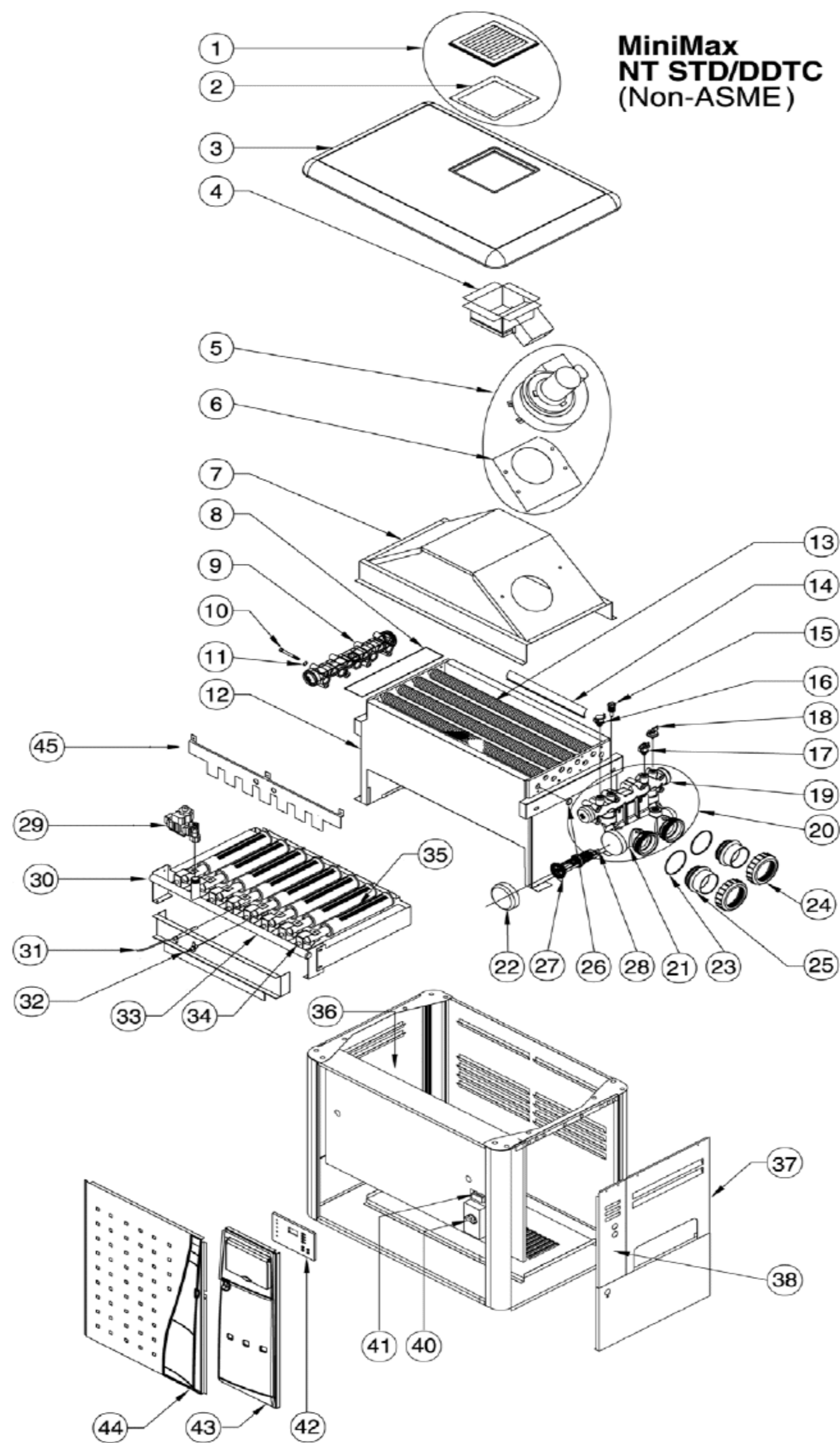


PENTAIR NT STD HEATER W/DDTC CONTROLLER PARTS

Item #	Part No.	Description	List Price
	75173	Thermal cutoff ¹	19.50
	472508	Transformer, 40 VA ¹	68.04
	460506	Indoor vent adaptor, 4 in ¹	CALL
	460507	Indoor vent adaptor, 5 in. ¹	CALL
	470328	Fan Tubing	CALL

Item #	Part No.	Description	List Price
	471548	Control Panel Cover	CALL
	471773	Power Switch	CALL
	471715	Top Panel Clips	CALL
	471549	Control Cover Hinge	CALL
	70715	Plastic mounting bracket	CALL

- 1: Part No. used in Model Nos., 200, 250, 300, 400.
- 2: Part No. used in Model Nos., 250, 300.
- 3: Part No. used in Model Nos., 200, 300, 400.
- 4: Qty. = Model 200 (4 ea.), 250 (5 ea.), 300 (6 ea.), 400 (8 ea.).
- 5: Qty. = Model 200 (2 ea.), 250 (3 ea.), 300 (4 ea.), 400 (6 ea.).
- 6: Kit includes gas valve, elbow, mounting bracket, and side panel





PENTAIR NT LN HEATER W/DDTC CONTROLLER PARTS

Item #	Part No.	Description	List Price
1	472352	Exhaust grill w/gasket ¹	CALL
2	471701	Gasket, exhaust grill ¹	CALL
3	472353	Top cover w/posts Model 200	CALL
3	472354	Top cover w/posts Model 250	CALL
3	472355	Top cover w/posts Model 300	CALL
3	472356	Top cover w/posts Model 400	CALL
4	472357	Exhaust assembly Model 200	CALL
4	472359	Exhaust assembly Model 250	CALL
4	472357	Exhaust assembly Model 300	CALL
4	472358	Exhaust assembly Model 400	CALL
5	472361	Blower w/gasket Model 200	CALL
5	472362	Blower w/gasket ²	774.12
6	471610	Gasket, blower ¹	CALL
7	472008	Flue collector Model 200	CALL
7	472007	Flue collector Model 250	CALL
7	472006	Flue collector Model 300	CALL
7	472005	Flue collector Model 400	CALL
8	472270	Insulation, header/Hi-limit ¹	CALL
9	471991	Return header assembly ¹	CALL
10	471622	Bolt, heat exchanger ¹	CALL
11	72184	Washer, flat 3/8" ID x 7/8" OD .05 Thk 18-8 s/s - (qty. 5 ¹ & qty. 9) ¹	CALL
12	471904	Fire box assembly Model 200	CALL
12	471835	Fire box assembly Model 250	CALL
12	471922	Fire box assembly Model 300	CALL
12	472332	Fire box assembly Model 400	CALL
13	471910	Heat exchanger w/ headers Model 200	CALL
13	471785	Heat exchanger w/ headers Model 250	CALL
13	471928	Heat exchanger w headers Model 300	CALL
13	471838	Heat exchanger w headers Model 400	CALL
13	471933	Heat exchanger w/o headers Model 200	CALL
13	471934	Heat exchanger w/o headers Model 250	CALL
13	471935	Heat exchanger w/o headers Model 300	CALL
13	471936	Heat exchanger w/o headers Model 400	CALL

Item #	Part No.	Description	List Price
14	471642	Baffle, heat exchanger Model 200	CALL
14	471641	Baffle, heat exchanger Model 250	CALL
14	471896	Baffle, heat exchanger Model 300	CALL
14	471640	Baffle, heat exchanger Model 400	CALL
15	471566	Thermistor probe ¹	60.54
16	471587	Hi-limit thermostat ¹	50.66
17	471694	Hi-limit thermostat ¹	61.34
18	472125	Water pressure switch ¹	CALL
19	472363	In/out top sub-header assembly ¹	CALL
20	471992	In/out main header assembly ¹	496.42
21	472364	In/out bottom sub-header ¹	CALL
22	471420	Cap, in/out main manifold bottom ¹	CALL
23	274494	O-ring ¹	CALL
25	471441	Adaptor, bulkhead, 2 in. ¹	21.30
26	70951	Gasket, fin tube, seal ¹	2.50
27	471750	Flow valve assembly ¹	216.64
28	472330	Power element, flow valve ¹	CALL
29	471597	Power element, flow valve ¹	CALL
30	472083	Sub-gas manifold ¹	CALL
31	470760	Gas valve, natural gas ¹	CALL
32	471905	Gas valve, natural gas Model 200	CALL
32	472016	Burner tray assembly Model 250	CALL
32	471923	Burner tray assembly Model 300	CALL
32	471981	Burner tray assembly Model 400	CALL
33	471696	Burner tray assembly ¹	CALL
34	471872	Igniter and bracket Model 200	CALL
34	471700	Gas manifold w/o orifice Model 250	CALL
34	471956	Gas manifold w/o orifice Model 300	CALL
34	471699	Gas manifold w/o orifice Model 400	CALL
36	471668	Burner ^{1,3}	CALL
37	471575	Jacket, upper panel, left	CALL
38	471576	Jacket, upper panel, right ¹	CALL
39	471767	Jacket, upper subplate ¹	CALL
42	460783	Module, ignition control ¹	CALL
43	472086	Temperature controller assembly ¹	492.46



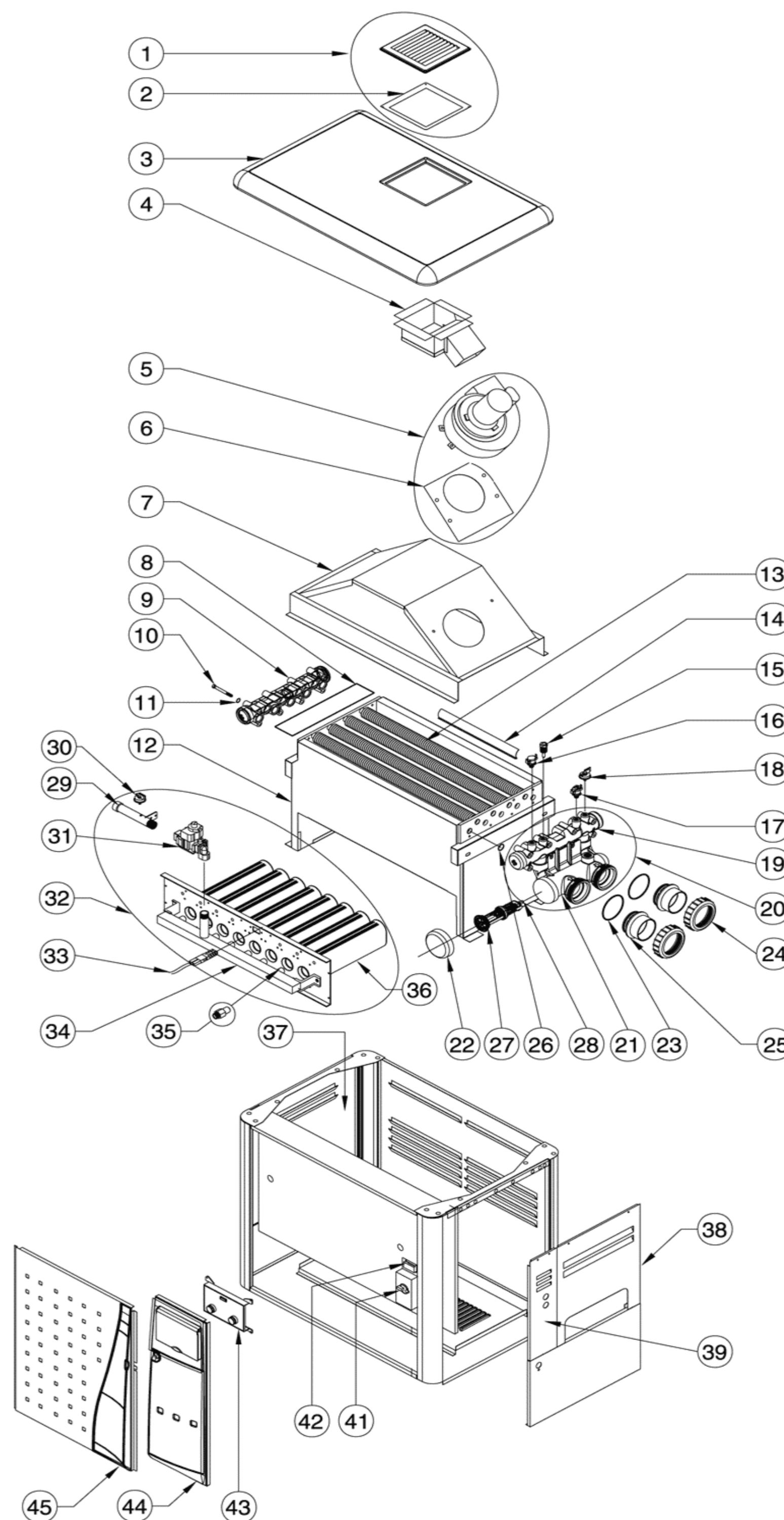
PENTAIR NT LN HEATER W/DDTC CONTROLLER PARTS

Item #	Part No.	Description	List Price
44	471727	Right door assembly with controller ¹	CALL
44	472372	Right door assembly w/o controller ¹	CALL
45	471900	Left door assembly Model 200	CALL
45	472318	Left door assembly Model 250	CALL
45	471918	Left door assembly Model 300	CALL
45	471726	Left door assembly Model 400	CALL
	75173	Thermal cutoff ¹	19.50
	472508	Transformer, 40 VA ¹	68.04
	472375	Wire harness assembly ¹	CALL
	460506	Indoor vent adaptor, 4 in ¹	CALL

Item #	Part No.	Description	List Price
	470328	Fan Tubing	CALL
	471548	Control Panel Cover	CALL
	471773	Power Switch	CALL
	471715	Top Panel Clips	CALL
	471549	Control Cover Hinge	CALL
	70715	Plastic mounting bracket	CALL
	470184	Knob, T-Stat board	CALL
	470181	T-Stat board knob stem	CALL
	472255	Face Plate	CALL

- 1: Part No. used in Model Nos., 200, 250, 300, 400.
- 2: Part No. used in Model Nos., 200, 300, 400.
- 3: Qty. = Model 200 (4 ea.), 250 (5 ea.), 300 (6 ea.), 400 (8 ea.).
- 4: Kit includes gas valve, elbow, mounting bracket, and side panel

MiniMax NT LN Heater — (Non-ASME Shown)





PENTAIR NT LN HEATER W/DDTC CONTROLLER PARTS

Item #	Part No.	Description	List Price
1	472352	Exhaust grill w/gasket ¹	CALL
2	471701	Gasket, exhaust grill ¹	CALL
3	472353	Top cover w/posts Model 200	CALL
3	472354	Top cover w/posts Model 250	CALL
3	472355	Top cover w/posts Model 300	CALL
3	472356	Top cover w/posts Model 400	CALL
4	472357	Exhaust assembly Model 200	CALL
4	472359	Exhaust assembly Model 250	CALL
4	472357	Exhaust assembly Model 300	CALL
4	472358	Exhaust assembly Model 400	CALL
5	472361	Blower w/gasket Model 200	CALL
5	472362	Blower w/gasket ²	774.12
6	471610	Gasket, blower ¹	CALL
7	472008	Flue collector Model 200	CALL
7	472006	Flue collector Model 250	CALL
7	472007	Flue collector Model 300	CALL
7	472005	Flue collector Model 400	CALL
8	472270	Insulation, header/Hi-limit ¹	CALL
9	471991	Return header assembly ¹	CALL
10	471622	Bolt, heat exchanger ¹	CALL
11	72184	Washer, flat 3/8" ID x 7/8" OD .05 Thk 18-8 s/s - (qty. 5 ¹ & qty. 9) ¹	CALL
12	471904	Fire box assembly Model 200	CALL
12	471835	Fire box assembly Model 250	CALL
12	471922	Fire box assembly Model 300	CALL
12	472332	Fire box assembly Model 400	CALL
13	471910	Heat exchanger w/ headers Model 200	CALL
13	471785	Heat exchanger w/ headers Model 250	CALL
13	471928	Heat exchanger w headers Model 300	CALL
13	471838	Heat exchanger w headers Model 400	CALL
13	471933	Heat exchanger w/o headers Model 200	CALL
13	471934	Heat exchanger w/o headers Model 250	CALL
13	471935	Heat exchanger w/o headers Model 300	CALL
13	471936	Heat exchanger w/o headers Model 400	CALL
14	471642	Baffle, heat exchanger Model 200	CALL
14	471641	Baffle, heat exchanger Model 250	CALL
14	471896	Baffle, heat exchanger Model 300	CALL

Item #	Part No.	Description	List Price
14	471640	Baffle, heat exchanger Model 400	CALL
15	471566	Thermistor probe ¹	60.54
16	471587	Hi-limit thermostat 115 degrees ¹	50.66
17	471694	Hi-limit thermostat 150 degrees ¹	61.34
18	472125	Water pressure switch ¹	CALL
19	472363	In/out top sub-header assembly ¹	CALL
20	471992	In/out main header assembly ¹	496.42
21	472364	In/out bottom sub-header ¹	CALL
22	471420	Cap, in/out main manifold bottom ¹	CALL
23	274494	O-ring ¹	CALL
24	274440	Nut, adapter bulkhead ring ¹	21.10
25	471441	Adaptor, bulkhead, 2 in. ¹	21.30
26	70951	Gasket, fin tube, seal ¹	2.50
27	471750	Flow valve assembly ¹	216.64
28	472330	Power element, flow valve ¹	CALL
29	471597	Power element, flow valve ¹	CALL
30	472083	Sub-gas manifold ¹	CALL
31	460760	Gas valve kit, natural ¹	CALL
32	471905	Gas valve, natural gas	CALL
32	472016	Burner tray assembly	CALL
32	471923	Burner tray assembly	CALL
32	471981	Burner tray assembly	CALL
33	471696	Burner tray assembly	CALL
34	471872	Igniter and bracket	CALL
34	471700	Gas manifold w/o orifice	CALL
34	471956	Gas manifold w/o orifice	CALL
34	471699	Gas manifold w/o orifice	CALL
36	471668	Burner	CALL
37	471575	Jacket, upper panel, left	CALL
38	471576	Jacket, upper panel, right	CALL
39	471767	Jacket, upper subplate	CALL
42	472447	Module, ignition control	CALL
43	472100	DDTC board	CALL
44	471727	Right door assembly with controller	CALL
44	472372	Right door assembly w/o controller	CALL



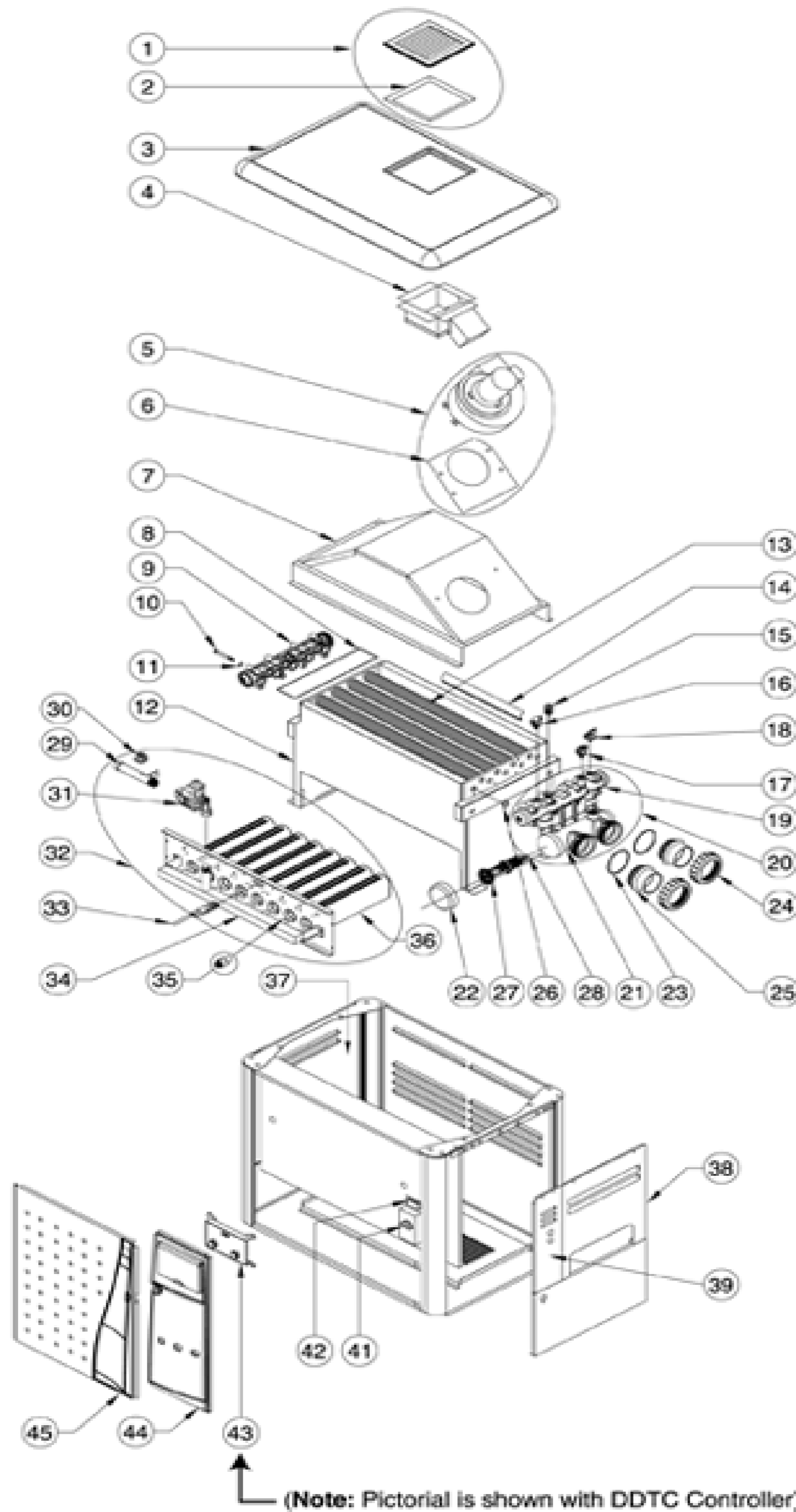
PENTAIR NT LN HEATER W/DDTC CONTROLLER PARTS

Item #	Part No.	Description	List Price
45	471900	Left door assembly 200	CALL
45	472318	Left door assembly 250	CALL
45	471918	Left door assembly 300	CALL
45	471726	Left door assembly 400	CALL
	75173	Thermal cutoff	19.50
	472508	Transformer, 40 VA	68.04
	460506	Indoor vent adaptor, 4 in	CALL
	460507	Indoor vent adaptor, 5 in.	CALL
	470328	Fan Tubing	CALL

Item #	Part No.	Description	List Price
	471548	Control Panel Cover	CALL
	471773	Power Switch	CALL
	471715	Top Panel Clips	CALL
	471549	Control Cover Hinge	CALL
	70715	Plastic mounting bracket	CALL
	470184	Knob, T-Stat board	CALL
	470181	T-Stat board knob stem	CALL
	472254	Mounting Plate for DDTC	CALL

- 1: Part No. used in Model Nos., 200, 250, 300, 400.
- 2: Part No. used in Model Nos., 200, 300, 400.
- 3: Qty. = Model 200 (4 ea.), 250 (5 ea.), 300 (6 ea.), 400 (8 ea.).
- 4: Kit includes gas valve, elbow, mounting bracket, and side panel

MiniMax NT LN Heater — (Non-ASME Shown)





PENTAIR NT TSI HEATER W/DDTC CONTROLLER PARTS

Item #	Part No.	Description	List Price
1	472352	Exhaust grill w/gasket ¹	CALL
2	471701	Gasket, exhaust grill ¹	CALL
3	472353	Top cover w/posts Model 200	CALL
3	472354	Top cover w/posts Model 250	CALL
3	472355	Top cover w/posts Model 300	CALL
3	472356	Top cover w/posts Model 400	CALL
4	472373	Exhaust assembly Model 400	CALL
5	472361	Blower w/gasket ²	CALL
5	472362	Blower w/gasket Model 400	774.12
6	471610	Gasket, blower ¹	CALL
7	472008	Flue collector Model 200	CALL
7	472007	Flue collector Model 250	CALL
7	472006	Flue collector Model 300	CALL
7	472005	Flue collector Model 400	CALL
9	471991	Return header assembly ¹	95.36
10	471622	Bolt, heat exchanger ¹	CALL
11	72184	Washer, flat 3/8" ID x 7/8" OD .05 Thk 18-8 s/s - (qty. 5 ¹ & qty. 9) ¹	CALL
12	472570	Fire box assembly Model 200	CALL
12	472571	Fire box assembly Model 250	CALL
12	472572	Fire box assembly Model 300	CALL
12	472476	Fire box assembly Model 400	CALL
13	471910	Heat exchanger w/ headers Model 200	CALL
13	471785	Heat exchanger w/ headers Model 250	CALL
13	471928	Heat exchanger w headers Model 300	CALL
13	471838	Heat exchanger w headers Model 400	CALL
13	471933	Heat exchanger w/o headers Model 200	CALL
13	471934	Heat exchanger w/o headers Model 250	CALL
13	471935	Heat exchanger w/o headers Model 300	CALL
13	471936	Heat exchanger w/o headers Model 400	CALL
14	471642	Baffle, heat exchanger Model 200	CALL
14	471641	Baffle, heat exchanger Model 250	CALL
14	471896	Baffle, heat exchanger Model 300	CALL
14	471640	Baffle, heat exchanger Mode 400	CALL
15	471566	Thermistor probe ¹	60.54

Item #	Part No.	Description	List Price
16	471587	Hi-limit thermostat 115 degrees ¹	50.66
17	471694	Hi-limit thermostat 150 degrees ¹	61.34
18	472125	Water pressure switch ¹	CALL
19	472363	In/out top sub-header assembly ¹	CALL
20	471992	In/out main header assembly ¹	496.42
21	472364	In/out bottom sub-header ¹	CALL
22	471420	Cap, in/out main manifold bottom ¹	CALL
23	274494	O-ring ¹	CALL
24	274440	Nut, adapter bulkhead ring ¹	21.10
25	471441	Adaptor, bulkhead, 2 in. ¹	21.30
26	70951	Gasket, fin tube, seal ¹	2.50
27	471750	Flow valve assembly ¹	216.64
28	472330	Power element, flow valve ¹	CALL
29	460762	Gas valve, natural gas ¹	CALL
31	472477Z	Igniter ¹	152.72
32	472370	Window glass w/ holder ¹	CALL
33	472251	Flame sensor ¹	28.54
34	472285	Gas manifold w/orifices, 0-4000 ft. Model 200	CALL
34	472286	Gas manifold w/orifices, 0-4000 ft. Model 250	CALL
34	472287	Gas manifold w/orifices, 0-4000 ft. Model 300	CALL
34	472288	Gas manifold w/orifices, 0-4000 ft. Model 400	CALL
36	472211	Burner ^{1,4}	CALL
37	471575	Jacket, upper panel, left ¹	CALL
38	471576	Jacket, upper panel, right ¹	CALL
39	471767	Jacket, upper subplate ¹	CALL
42	472150	Module, ignition control ¹	CALL
43	472100	DDTC board ¹	CALL
44	472087	Right door assembly with controller ¹	CALL
44	472372	Right door assembly w/o controller ¹	CALL
45	471900	Left door assembly Model 200	CALL
45	472318	Left door assembly Model 250	CALL
45	471918	Left door assembly Model 300	CALL
45	471726	Left door assembly Model 400	CALL

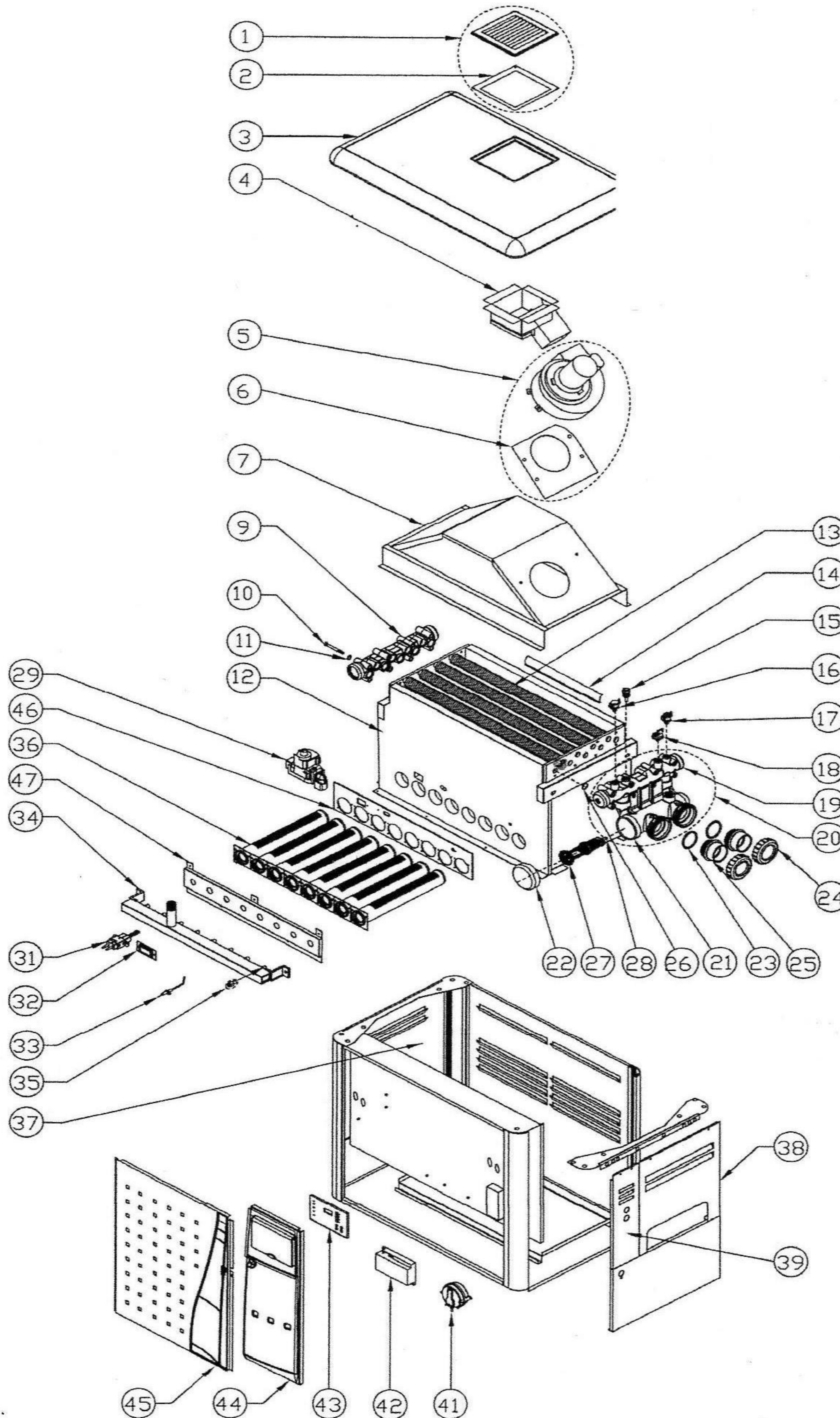


PENTAIR NT TSI HEATER W/DDTC CONTROLLER PARTS

Item #	Part No.	Description	List Price
NS	75173	Thermal cutoff ¹	19.50
NS	472508	Transformer, 40 VA ¹	68.04
NS	460506	Indoor vent adaptor, 4 in. ¹	CALL
NS	460507	Indoor vent adaptor, 5 in. ¹	CALL
NS	472514	Wire harness assembly ¹	CALL
NS	470328	Fan Tubing	CALL

Item #	Part No.	Description	List Price
NS	471548	Control Panel Cover	CALL
NS	471773	Power Switch	CALL
NS	471715	Top Panel Clips	CALL
NS	471549	Control Cover Hinge	CALL
NS	70715	Plastic mounting bracket	CALL

- 1: Part No. used in Model Nos., 200, 250, 300, 400.
- 2: Part No. used in Model Nos., 200, 250, 300
- 3: Part No. used in Model Nos., 300, 400
- 4: Qty. = Model 200 (4 ea.), 250 (5 ea.), 300 (6 ea.), 400 (8 ea.).
- 5: Kit includes gas valve, elbow, mounting bracket, and side panel





PENTAIR NT TSI HEATER W/6800 CONTROLLER PARTS

Item #	Part No.	Description	List Price
1	472352	Exhaust grill w/gasket ¹	CALL
2	471701	Gasket, exhaust grill ¹	CALL
3	472353	Top cover w/posts Model 200	CALL
3	472354	Top cover w/posts Model 250	CALL
3	472355	Top cover w/posts Model 300	CALL
3	472356	Top cover w/posts Model 400	CALL
4	472357	Exhaust assembly Model 200	CALL
4	472358	Exhaust assembly Model 250	CALL
4	472359	Exhaust assembly Model 300	CALL
4	472358	Exhaust assembly Model 400	CALL
5	472361	Blower w/gasket ²	CALL
5	472362	Blower w/gasket ³	774.12
6	471610	Gasket, blower ¹	CALL
7	472008	Flue collector Model 200	CALL
7	472007	Flue collector Model 250	CALL
7	472006	Flue collector Model 300	CALL
7	472005	Flue collector Model 400	CALL
8	472270	Insulation, header/Hi-limit ¹	CALL
9	471991	Return header assembly ¹	95.36
10	471622	Bolt, heat exchanger ¹	CALL
11	72184	Washer, flat 3/8" ID x 7/8" OD .05 Thk 18-8 s/s - (qty. 5 ¹ & qty. g) ¹	CALL
12	471904	Fire box assembly Model 200	CALL
12	471835	Fire box assembly Model 250	CALL
12	471922	Fire box assembly Model 300	CALL
12	472332	Fire box assembly Model 400	CALL
13	471910	Heat exchanger w/ headers Model 200	CALL
13	471785	Heat exchanger w/ headers Model 250	CALL
13	471928	Heat exchanger w headers Model 300	CALL
13	471838	Heat exchanger w headers Model 400	CALL
13	471933	Heat exchanger w/o headers Model 200	CALL
13	471934	Heat exchanger w/o headers Model 250	CALL
13	471935	Heat exchanger w/o headers Model 300	CALL
13	471936	Heat exchanger w/o headers Model 400	CALL

Item #	Part No.	Description	List Price
14	471642	Baffle, heat exchanger Model 200	CALL
14	471641	Baffle, heat exchanger Model 250	CALL
14	471896	Baffle, heat exchanger Model 300	CALL
14	471640	Baffle, heat exchanger Model 400	CALL
15	471566	Thermistor probe ¹	60.54
16	471587	Hi-limit thermostat 115 degrees ¹	50.66
17	471694	Hi-limit thermostat 150 degrees ¹	61.34
18	472125	Water pressure switch ¹	CALL
19	472363	In/out top sub-header assembly ¹	CALL
20	471992	In/out main header assembly ¹	496.42
21	472364	In/out bottom sub-header ¹	CALL
22	471420	Cap, in/out main manifold bottom ¹	CALL
23	274494	O-ring ¹	CALL
24	274440	Nut, adapter bulkhead ring ¹	21.10
25	471441	Adaptor, bulkhead, 2 in. ¹	21.30
26	70951	Gasket, fin tube, seal ¹	2.50
27	471750	Flow valve assembly ¹	216.64
28	472330	Power element, flow valve ¹	CALL
29	472365	Sub-gas manifold w/plug ¹	CALL
30	460762	Gas valve, natural gas ¹	CALL
31	472366	Burner tray assembly Model 200	CALL
31	472367	Burner tray assembly Model 250	CALL
31	472368	Burner tray assembly Model 300	CALL
31	472369	Burner tray assembly Model 400	CALL
32	472216	Igniter ¹	CALL
33	472370	Window glass w/ holder ¹	CALL
34	472251	Flame sensor ¹	28.54
35	472285	Gas manifold w/orifices, 0-4000 ft. Model 200	CALL
35	472286	Gas manifold w/orifices, 0-4000 ft. Model 250	CALL
35	472287	Gas manifold w/orifices, 0-4000 ft. Model 300	CALL
35	472288	Gas manifold w/orifices, 0-4000 ft. Model 400	CALL
37	472211	Burner ¹	CALL
38	471575	Jacket, upper panel, left ¹	CALL

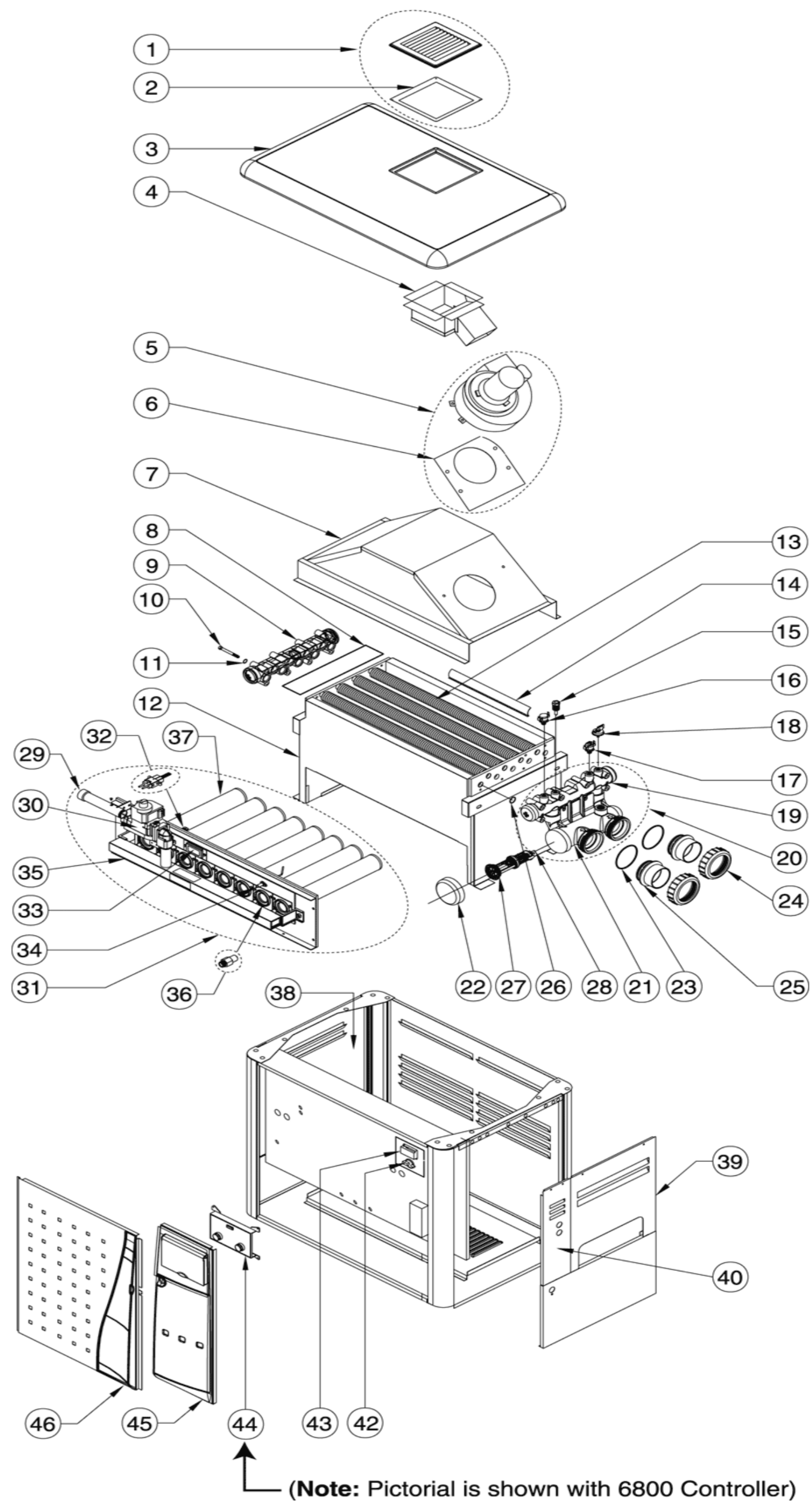


PENTAIR NT TSI HEATER W/6800 CONTROLLER PARTS

Item #	Part No.	Description	List Price
39	471576	Jacket, upper panel, right ¹	CALL
40	471767	Jacket, upper subplate ¹	CALL
43	472449	Module, ignition control ¹	CALL
44	472086	Temperature controller assembly ¹	CALL
45	472087	Right door assembly with controller ¹	CALL
45	472097	Right door assembly w/o controller ¹	CALL
46	471900	Left door assembly Model 200	CALL
46	472318	Left door assembly Model 250	CALL
46	471918	Left door assembly Model 300	CALL
46	471726	Left door assembly Model 400	CALL
NS	75173	Thermal cutoff ¹	19.50
NS	472508	Transformer, 40 VA ¹	68.04

Item #	Part No.	Description	List Price
NS	460506	Indoor vent adaptor, 4 in. ¹	CALL
NS	460507	Indoor vent adaptor, 5 in. ¹	CALL
NS	460762	Gas valve, natural gas Kit TSI ⁵	CALL
NS	470328	Fan Tubing	CALL
NS	471548	Control Panel Cover	CALL
NS	471773	Power Switch	CALL
NS	471715	Top Panel Clips	CALL
NS	471549	Control Cover Hinge	CALL
NS	70715	Plastic mounting bracket	CALL
NS	470184	Knob, T-Stat board	CALL
NS	470181	T-Stat board knob stem	CALL
NS	472473	Burner gasket 400	CALL

- 1: Part No. used in Model Nos., 200, 250, 300, 400.
- 2: Part No. used in Model Nos., 200, 250
- 3: Part No. used in Model Nos., 300, 400
- 4: Qty. = Model 200 (4 ea.), 250 (5 ea.), 300 (6 ea.), 400 (8 ea.).
- 5: Kit includes gas valve, elbow, mounting bracket, and side panel





PENTAIR MINIMAX PLUS HEATER PARTS

Item #	Part No.	Description	List Price
1	460227	Indoor Vent Model 150	CALL
1	460228	Indoor Vent Model 200	CALL
1	460230	Indoor Vent Model 250	CALL
1	460231	Indoor Vent Model 300	CALL
1a	460233	Indoor Vent Model 350	CALL
1a	460234	Indoor Vent Model 400	346.00
1a	460237	Outdoor Vent Model 150	CALL
1a	460222	Outdoor Vent Model 200	CALL
1a	460223	Outdoor Vent Model 250	CALL
1a	460224	Outdoor Vent Model 300	CALL
1a	460225	Outdoor Vent Model 350	CALL
1a	460226	Outdoor Vent Model 400	CALL
2	70994	Return header	220.00
3	74216	Bracket Washer	CALL
4	73739	Bolt, hh. 3/8 in. x 2 in. ¹	CALL
5	70416	Bolt, 3/8, 16 x 1-1/2 in. ¹	CALL
6	72180	Washer 3/8 in. i.d., 1 in. o.d.	CALL
7	70951	Gasket, fin tube, seal	2.50
8	471360	Transformer 24 Vac CH w/circuit breaker	78.00
9	470179	Electronic thermostat circuit breaker	238.00
10	73584	Module natural gas ¹	288.00
10	73585	Module propane gas ¹	288.00
11	470122	Junction Box 110 unit	CALL
12	470184	Knob, T-Stat board	CALL
13	470186	Switch, rocker Single pole, double throw	CALL
14	470295	Control Panel Natural, IID Model 150	CALL
14	470296	Control Panel Natural, IID Model 200	CALL
14	470297	Control Panel Natural, IID Model 250	CALL
14	470187	Control Panel Natural, IID Model 400	CALL
14	470987	Control Panel Propane, IID Model 150	CALL
14	470988	Control Panel Propane, IID Model 200	CALL
14	470989	Control Panel Propane, IID Model 250	CALL
14	470992	Control Panel Propane, IID Model 400	CALL
14	471020	Control Panel Millivolt Model 150	CALL
14	471021	Control Panel Millivolt Model 200	CALL
14	471023	Control Panel Millivolt Model 300	CALL
14	471024	Control Panel Millivolt Model 350	CALL
14	471025	Control Panel Millivolt Model 400	CALL
15	75468	Door, millivolt Model 150	CALL

Item #	Part No.	Description	List Price
15	75604	Door, millivolt Model 200	CALL
15	75488	Door, millivolt Model 250	CALL
15	75605	Door, millivolt Model 300	CALL
15	75606	Door, millivolt Model 350	CALL
15	75490	Door, millivolt Model 400	CALL
16	70256	Manifold burner Model 150	CALL
16	75525	Manifold burner Model 200	CALL
16	70257	Manifold burner Model 250	CALL
16	75526	Manifold burner Model 300	CALL
16	75527	Manifold burner Model 350	CALL
16	70258	Manifold burner Model 400	CALL
17	73998	Gas valve natural, IID ¹	CALL
17	73999	Gas valve LP, IID ¹	CALL
17	75457	Gas valve natural, millivolt ¹	CALL
17	75458	Gas valve propane, millivolt ¹	CALL
18	75191	Pilot tube, IID ²	CALL
18	75192	Pilot tube, IID ³	CALL
18	75193	Pilot tube, IID ⁴	CALL
18	76084	Pilot tube, millivolt ²	CALL
18	76085	Pilot tube, millivolt ³	CALL
18	76086	Pilot tube, millivolt ⁴	CALL
19	73752	Burner Tray Natural, IID Model 150	CALL
19	75499	Burner tray Natural, IID Model 200	CALL
19	73751	Burner tray Natural, IID Model 250	CALL
19	75500	Burner tray Natural, IID Model 300	CALL
19	75501	Burner tray Natural, IID Model 350	CALL
19	73750	Burner tray Natural, IID Model 400	CALL
19	73906	Burner tray Natural, IID Model 150	CALL
19	75508	Burner tray Propane, IID Model 200	CALL
19	73905	Burner tray Propane, IID Model 250	CALL
19	75509	Burner tray Propane, IID Model 300	CALL
19	75510	Burner tray Propane, IID Model 350	CALL
19	73904	Burner tray Propane, IID Model 400	CALL
19	75493	Burner tray Natural, millivolt Model 150	CALL
19	75496	Burner tray Natural, millivolt Model 200	CALL
19	75494	Burner tray Natural, millivolt Model 250	CALL
19	75497	Burner tray Natural, millivolt Model 300	CALL
19	75498	Burner tray Natural, millivolt Model 350	CALL
19	75495	Burner tray Natural, millivolt Model 400	CALL



PENTAIR MINIMAX PLUS HEATER PARTS (CONTINUED)

Item #	Part No.	Description	List Price
19	75502	Burner tray Propane, millivolt Model 150	CALL
19	75505	Burner tray Propane, millivolt Model 200	CALL
19	75503	Burner tray Propane, millivolt Model 250	CALL
19	75506	Burner tray Propane, millivolt Model 300	CALL
19	75507	Burner tray Propane, millivolt Model 350	CALL
19	75504	Burner tray Propane, millivolt Model 400	CALL
20	70230	Burner ¹	CALL
20a	470550	Burner w/pilot bracket ¹	CALL
21	470190	Water pressure switch ¹	117.00
22	73858	Assembly Model 150	CALL
22	75586	Assembly Model 200	CALL
22	73857	Assembly Model 250	CALL
22	75587	Assembly Model 300	CALL
22	75588	Assembly Model 350	CALL
22	73856	Assembly Model 400	CALL
23	72134	Valve drain, 3/4 in ¹	CALL
24	75459	Presslite Piezo ignitor assembly (Millivolt only) ¹	CALL
25	72138	Valve relief, 3/4 in. 50# ¹	CALL
26	471678	Potentiometer (Millivolt only) ¹	CALL
27	471424	Flow valve assembly standard, complete ¹	CALL
27	73989	Flow valve assembly ASME, complete ¹	CALL
28	74015	Flow valve gasket ¹	CALL
29	75492	Bolt, 3/8, 16 x 2-1/2 ¹	CALL
30	75284	Quick-flange kit for 2 in. slip connection ¹	132.54
31	70544	Rubber bushing, 2 in. i.d. ¹	CALL
32	71895	Sleeve, rubber in/out, 2 in. ¹	CALL
33	71017	Hi-limit safety switch ¹	47.70
34	70985	Main header, in/out ¹	CALL
35	470370	Heat exchanger with heads Model 150	CALL
35	470371	Heat exchanger with heads Model 200	CALL
35	470372	Heat exchanger with heads Model 250	CALL
35	470373	Heat exchanger with heads Model 300	CALL
35	470374	Heat exchanger with heads Model 350	CALL
35	470375	Heat exchanger with heads Model 400	CALL
35	74452	Heat exchanger only Model 150	CALL
35	75628	Heat exchanger only Model 200	CALL
35	74451	Heat exchanger only Model 250	CALL
35	75629	Heat exchanger only Model 300	CALL
35	75630	Heat exchanger only Model 350	CALL
35	74074	Heat exchanger only Model 400	CALL

Item #	Part No.	Description	List Price
36	70277	Baffle Model 150	CALL
36	75559	Baffle Model 200	CALL
36	70276	Baffle Model 250	CALL
36	75560	Baffle Model 300	CALL
36	70277	Baffle Model 350	CALL
36	70278	Baffle Model 400	CALL
37	472329	Baffle hld. down, 2 req. on 400 ¹	CALL
38	73864	Flue collector Model 150	CALL
38	75622	Flue collector Model 200	CALL
38	73863	Flue collector Model 250	CALL
38	75623	Flue collector Model 300	CALL
38	75624	Flue collector Model 350	CALL
38	73862	Flue collector Model 400	CALL
39	470471	Outdoor top assembly Model 150	CALL
39	470472	Outdoor top assembly Model 200	CALL
39	470473	Outdoor top assembly Model 250	CALL
39	470474	Outdoor top assembly Model 300	CALL
39	470475	Outdoor top assembly Model 350	CALL
39	470476	Outdoor top assembly Model 400	CALL
40	75783	Lightback shield Model 150	CALL
40	75784	Lightback shield Model 200	CALL
40	75785	Lightback shield Model 250	CALL
40	75786	Lightback shield Model 300	CALL
40	75787	Lightback shield Model 350	CALL
40	75788	Lightback shield Model 400	CALL
41	471677	Electronic thermostat	CALL
41	471677	Electronic thermostat millivolt (Black Box)	CALL
41	72022	Thermostat, millivolt models Capillary, Qty 2	CALL
42	73789	Panel, return	CALL
43	73790	Panel, in/out	CALL
44	75173	Thermal cutoff	CALL
	70715	Plastic mounting bracket	CALL
	470965	Wire kit, harness IID complete	CALL
	471277	Clips for wire harness	CALL
	75511	Clips for wire harness	CALL
	71703	Screw, 8 x 1/4 in. HH	CALL
	71698	Screw, 8 x 1/2 in. HH	CALL
	71716	Screw, 6 x 1/4 in.	CALL



PENTAIR MINIMAX PLUS HEATER PARTS (CONTINUED)

Item #	Part No.	Description	List Price
NS	71659	Screw, 10-32 x 1/4 in.	CALL
NS	75692	Screw, 10-32 x 3/16 in.	CALL
NS	70551	Bushing 1/2 in.	CALL
NS	470414	Therm. knob stopper	CALL
NS	470178	Power element, flow-valve	CALL
NS	73725	Bolt 5/16, 18 x 3/4 in.	CALL
NS	471204	Pilot, natural, IID	CALL
NS	471205	Pilot, propane, IID	CALL
NS	471292	Pilot natural gas, millivolt includes blue spark wire	CALL
NS	471291	Pilot propane, millivolt includes, blue spark wire	CALL
NS	71515	Thermopile generator pilot	CALL
NS	471740	Thermistor probe, complete millivolt models	CALL
NS	470180	Thermistor probe, IID models	CALL

Item #	Part No.	Description	List Price
NS	74202	Indicator board LED lightstrip ⁶	CALL
NS	70273	Potentiometer, TSTAT IID ⁶	CALL
NS	73727	Orifice main burner natural ⁵	CALL
NS	73728	Orifice main burner propane ⁵	CALL
NS	471293	Pilot rainshield	CALL
NS	471328	Pilot electrode (only)	CALL
NS	470181	T-Stat board knob stem	CALL
NS	70715	Plastic mounting bracket	CALL
NS	74540	"L" brackets	CALL
NS	471271	Bracket adapter Q379 pilot MV	CALL
NS	72253	Jumper	CALL
NS	471612	Door latch	CALL

1: Part No. used in Model Nos., 150, 200, 250, 300, 350, 400

2: Part No. used in Model Nos., 150, 200

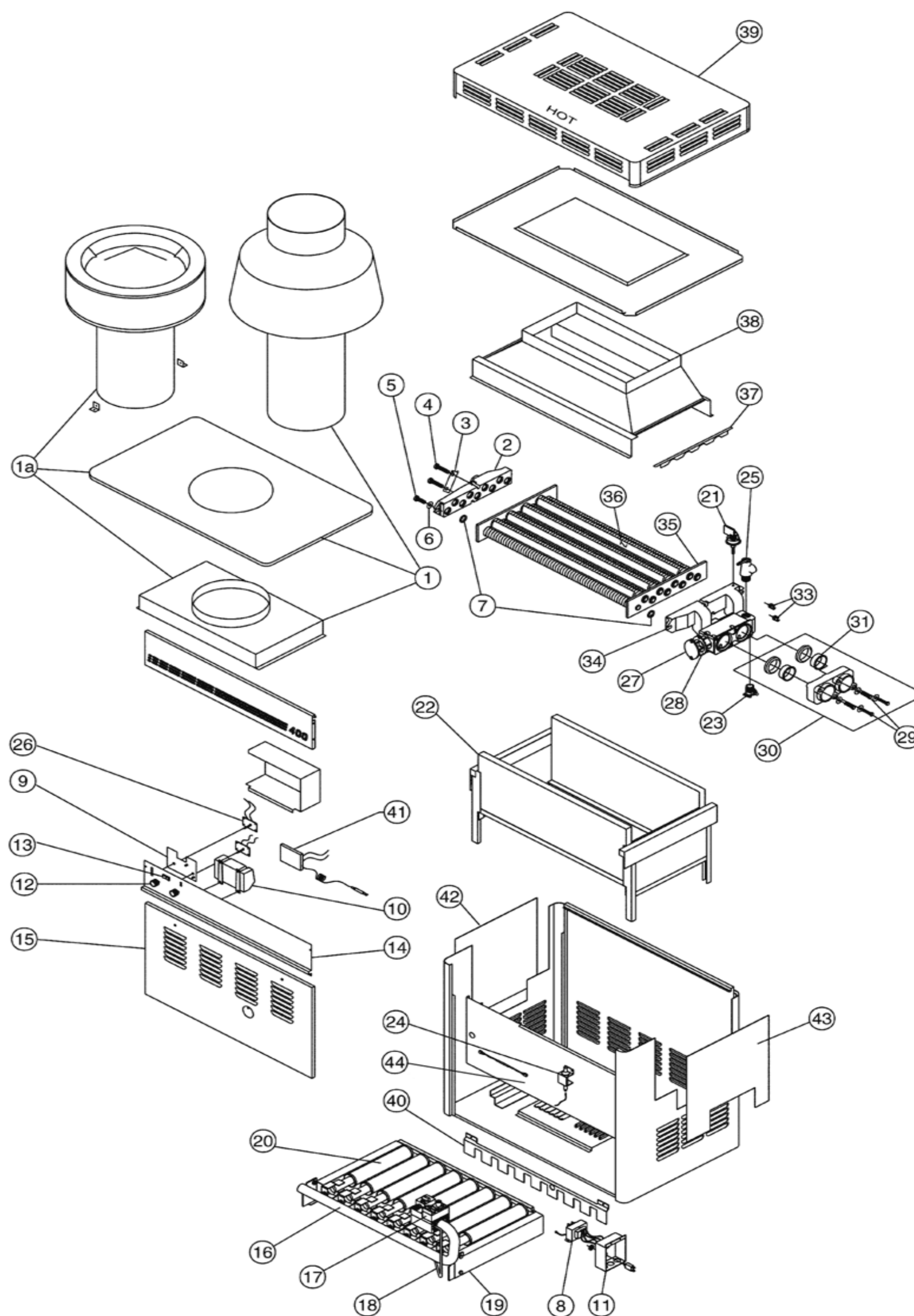
3: Part No. used in Model Nos., 250, 300

4: Part No. used in Model Nos., 350, 400

5: Qty. = Model, N or P 150 (3 ea.), 200 (4 ea.), 250 (5 ea.), 300 (6 ea.), 350 (7 ea.), 400 (8 ea.).

6: Previously Manufactured Model.

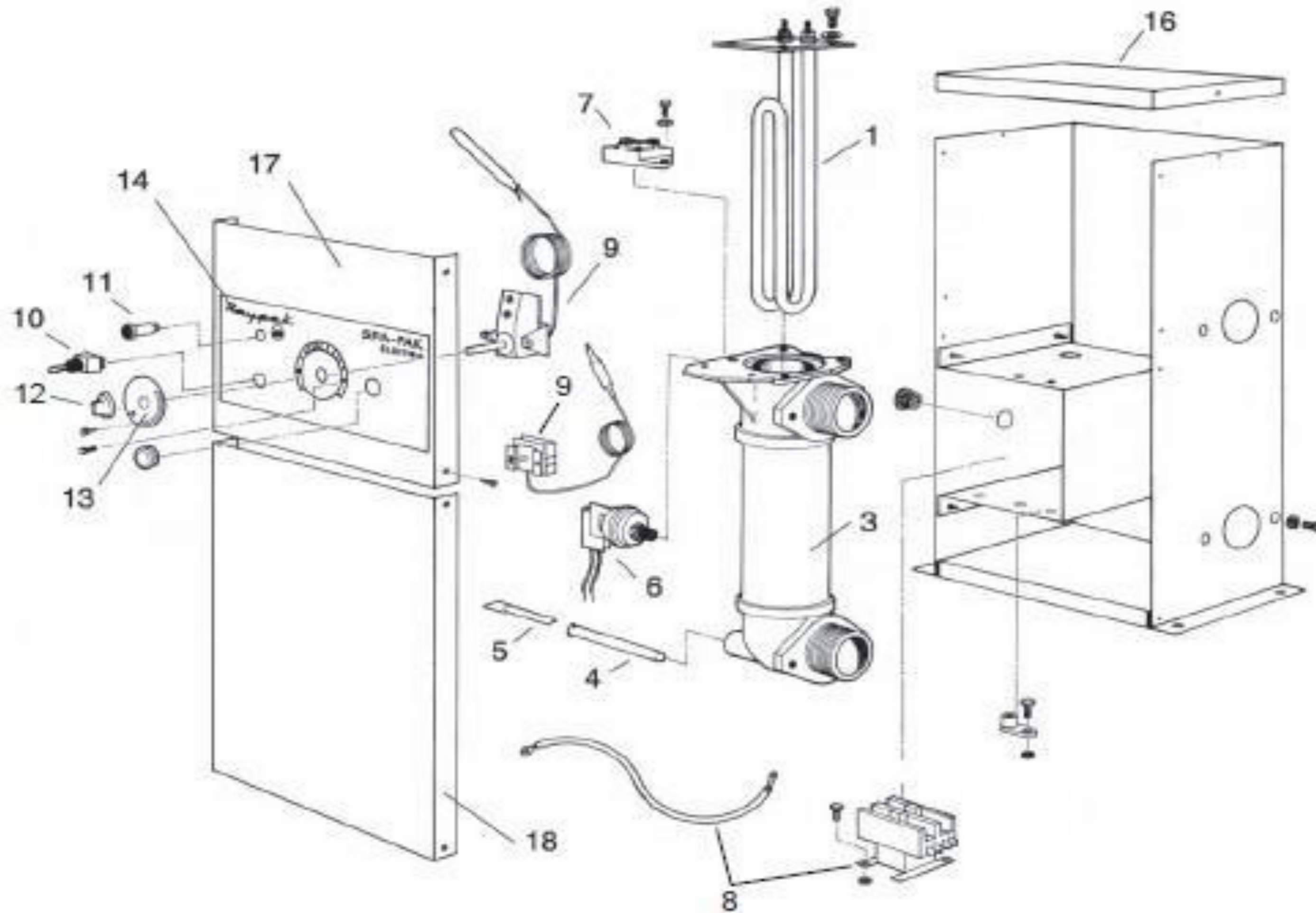
NOTE: In January 1996, the circuit boards for the MiniMax Heaters were changed at the terminals by request of the American National Standard Institute (ANSI) and the American Gas Association (A.G.G.), the two approval agencies for the manufacturing of gas heaters in the United States. If you have a heater manufactured before January 1, 1996 and you receive a newer circuit board with the smaller terminals and the older





RAYPAK ELS 555-2 and 1102-2 ELECTRIC SPA HEATERS

Item #	Part No.	Description	List Price
1	001801F	5.5 KW ELEMENT KIT ELS 552-2	CALL
1	001802F	11 KW ELEMENT KIT ELS 1102-2	217.20
2	800164	RAYPAK ELS ELEMENT GASKET	CALL
3	001805F	TANK ASSY 5.5KW ELS 522-2	CALL
3	001808F	TANK ASSY 11KW ELS 1102-2	CALL
4	004087F	RAYPAK ELS SENSOR WELL	CALL
5	300203	RAYPAK ELS WELL RETAINING CLIP	CALL
6	062237B	RAYPAK ELS PRESSURE SWITCH	CALL
7	001811F	RAYPAK ELS HI-LIMIT	CALL
8	001813F	RAYPAK ELS CONTACTOR (includes wiring)	182.54
9	600827B	RAYPAK ELS THERMOSTAT, MV - HONEYWELL	CALL
9	006865F	RAYPAK ELS THERMOSTAT, MV - SUNNE / EATON	CALL
9	003346F	RAYPAK THERMOSTAT CONTROL MV - HEATERS - RAYPAK	CALL
10	650761	RAYPAK ELS TOGGLE SWITCH (SINGLE)	CALL
11	001812F	RAYPAK ELS INDICATOR LIGHT	CALL
12	006885F	RAYPAK ELS KNOB	CALL
13	006886F	RAYPAK ELS KNOB STOP	CALL
14	900615	ELS DIAL PLATE	CALL





RAYPAK RP2100 series 185 thru 405 HEATERS (DOM 11/1/93 - 11/1/98)

Item #	Part No.	Description	List Price
Burner Tray			
1-B	005213F to -16F	Burner Tray w/burners 185 - 405	CALL
	005217F to -20F	Burner Tray w/o burners 185-405	CALL
	005221F to -24F	Burner Tray w/gas valve Natural MV 185 - 405	CALL
	005225F to -28F	Burner Tray w/gas valve LP MV 185 - 405	CALL
	005229F to -32F	Burner Tray w/gas valve Natural IID 185 - 405	CALL
	005233F to -36F	Burner Tray w/gas valve LP IID 185 - 405	CALL
2B	005237F to -40F	Burner Spacer/Hold Down Kit 185 - 405	CALL
3B	301210	Burner 185 (13), 265 (19), 335 (24), 405 (29)	CALL
4B	350080F	Burner Orifice Natural #51 (see 3B for qty)	CALL
	350083F	Burner Orifice LP #53 (see 3B for qty)	CALL
5B	005265F to -68F	Burner Tray w/o manifold or burners 185 - 405	CALL
Controls			
1C	600892B	AGS 135° (Auto Gas Shut-off) Red Epoxy	47.74
2C	600893B	High Limit 140° - Black Epoxy	48.00
3C	005241F	P.C. Board control - IID heaters	CALL
4C	003346F	Thermostat Control MV Units - mechanical	CALL
5C	005299B	Temperature Sensor	84.00
6C	005384F	Fuse, PC Board, IID units	CALL
Gas Valve			
1G	003898F	Combination Valve - Natural MV	CALL
	003899F	Combination Valve - LP MV	CALL
	003900F	Combination Valve - Natural IID	334.50
	004306F	Combination Valve - LP IID	322.00
Heat Exchanger			
1H	005244F to -47F	Heat Exchanger Assy complete cast iron 185 - 405	CALL
	005248F to -51F	Heat Exchanger Assy complete brass 185 - 405	CALL
2H	003759F	Inlet/Outlet header, cast iron	CALL
	003760F	Inlet/Outlet header, brass	CALL
3H	002450F	Return header, cast iron	136.32
	002451F	Return header, brass	CALL
4H	005252F to -55F	Tube Bundle 185 - 405	CALL
5H	005256F to -59F	Heat exchanger tube (ea) 185-405	CALL
6H	005260F to -63F	Baffle kit (8) 185 - 405	CALL
7H	001303F	Bolt Kit	CALL
8H	800014B	Header Gasket (9)	CALL

Item #	Part No.	Description	List Price
9H	062234B	Unitherm governor	CALL
10H	013738F	U.G. retainer spring	CALL
11H	062235B	Bypass valve	40.22
12H	850252	Bypass Spring (185)	CALL
	013794F	Bypass Spring (265 - 405)	CALL
13H	013793F	Drain valve	CALL
14H	003765F	Sensor well	65.96
15H	300203	Well retaining clip	CALL
16H	003766F	Inlet/Outlet flange	CALL
17H	062236B	Flange and gasket connections - 1-1/2"	CALL
	800080B	Flange and gasket connections - 2"	15.60
18H	005264F	Rear drain plug and cover	CALL
19H	013738F	U.G. plug	CALL
Control Box			
1J	004817B	Ignition Control IID Natural	CALL
	004818B	Ignition Control IID LP	CALL
2J	006736F	Transformer 120/240/24v	78.00
3J	006872F	Rocker switch - MV units	CALL
4J	650903	Rocker switch - IID units	CALL
Miscellaneous Components			
1M	062237B	Pressure switch	CALL
2M	005392F	Pressure seitch tube assembly	CALL
3M	800303	Thermostat Knob (1)	CALL
4M	006886F	Knobstop (1)	CALL
5M	005899F	Thermal Fuse	44.00
6M	008091F	PRV 125 PSI (optional) - 185	CALL
	007224F	PRV 125 PSI (optional) - 265 - 405	CALL
7M	052871F	Deliming Kit	CALL
8M	005269F	Wire harness - MV	CALL
	005270F	wire harness - IID	CALL
9M	N/A	LED's (2 green/2 red)	N/A
10M	005291F	Control panel - MV	CALL
11M	005292F	Control panel - IID (includes switch decal)	CALL
12M	800307	Thermostat shaft - MV	CALL
13M	800304	Thermostat shaft - IID	CALL
14M	005393F	CPVC Adapter	CALL

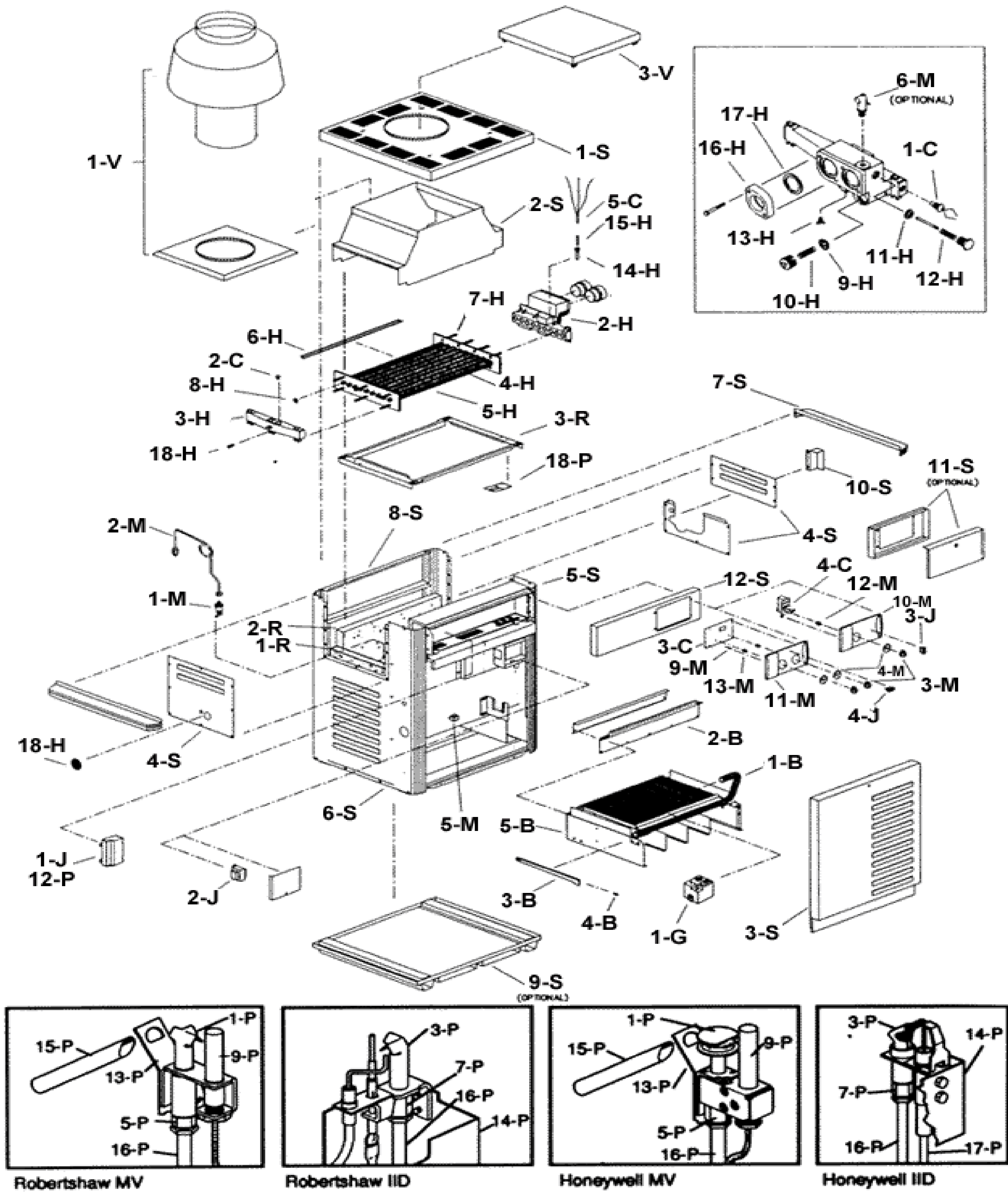


RAYPAK RP2100 series 185 thru 405 HEATERS (DOM 11/1/93 - 11/1/98)

Item #	Part No.	Description	List Price
Pilot			
1P	600525B	Pilot Natural MV	CALL
	600575B	Pilot LP MV	CALL
3P	002003F	Pilot Natural or LP - IID	106.00
5P	003901F	Pilot orifice Natural - MV	CALL
	003902F	Pilot orifice LP - MV	CALL
7P	003903F	Pilot orifice Natural - IID	CALL
	004308F	Pilot orifice LP - IID	CALL
9P	600019B	Pilot generator MV	CALL
12P	004817B	Ignition control Natual - IID	CALL
	004818B	Ignition control LP - IID	CALL
13P	306693	Pilot mounting bracket - MV	CALL
14P	306692	Pilot mounting bracket - IID	11.00
15P	062996	Lighter tube - MV only	CALL
16P	004078F	Pilot tube	50.84
17P	002654B	Hi tension wire IID	CALL
	007864F	Hi tension wire IID with pilot electrode	50.80
18P	307223	Pilot shield	CALL
Refractory			
1R	005282F	Refractory common (left or right)	CALL
2R	005283F to - 56F	Refractory uncommon (front or rear) 185 - 405	CALL
3R	005287F to - 90F	Refractory retainer kit 185 - 405	CALL
4R	012192F to - 95F	Refractory 185 - 405	CALL

Item #	Part No.	Description	List Price
Sheet Metal			
1S	005303F to - 06F	Jacket top (Louvered) 185-405	CALL
2S	005307F to - 10F	Flue Collector 185-405	CALL
3S	005315F to - 18F	Door Assembly 185-405	CALL
4S	005277F	Access panel set (3 pcs)	CALL
5S	005300F	Side panel right	CALL
6S	005301F	Side panel left	CALL
7S	005302F	Side panel cap	CALL
8S	005278F to - 81F	Real panel kit (2 pcs) 185-405	CALL
9S	005182 to - 85	Sob-base for combustible flooring 185-405	CALL
10S	005294F	High limit cover	CALL
11S	5198	Poolstat cover/lock	CALL
12S	005394F to - 97F	Up-front cover panel 185-405	CALL
13S	008558F to - 61F	Base shield (not shown) 185-405	CALL
14S	009524F to - 27F	Weather shield 185-405	CALL
Venting			
1V	006696 to - 99	Indoor stack kit 185-405	CALL
2V	008895F to - 98F	Stack adapter 185-405	CALL
3V	007990 to - 93	"Pagoda" top 185-405	CALL
Conversion kits			
	004690B	Natural to LP - MV	CALL
	005319F	LP to Natural - MV	CALL
N/A	N/A	IID conversion - either	N/A

RAYPAK RP2100 series 185 thru 405 HEATERS (DOM 11/1/93 - 11/1/98)





RAYPAK RP2100 series 185 thru 405 HEATERS (DOM 11/1/98 - 10/1/04) (A & B series)

Item #	Part No.	Description	List Price
Burner Tray			
1B	005213F to -16F	Burner Tray w/burners 185 - 405	CALL
	005217F to -20F	Burner Tray w/o burners 185-405	CALL
	005221F to -24F	Burner Tray w/gas valve Natural MV 185 - 405	CALL
	005225F to -28F	Burner Tray w/gas valve LP MV 185 - 405	CALL
	005229F to -32F	Burner Tray w/gas valve Natural IID 185 - 405	CALL
	005233F to -36F	Burner Tray w/gas valve LP IID 185 - 405	CALL
2B	005237F to -40F	Burner Spacer/Hold Down Kit 185 - 405	CALL
3B	301210	Burner 185 (13), 265 (19), 335 (24), 405 (29)	CALL
4B	350080F	Burner Orifice Natural #51 (see 3B for qty)	CALL
	350083F	Burner Orifice LP #53 (see 3B for qty)	CALL
5B	005265F to -68F	Burner Tray w/o manifold or burners 185 - 405	CALL
Burner Tray (Fan Assisted Low Nox)			
1BB	007994F to -97F	Burner Tray w/ burners 185 - 405	CALL
	007998F to 008001F	Burner Tray w/o burners	CALL
2BB	008002F to -05F	Burner hold down kit	CALL
3BB	309255	Burner 185 (3), 265 (5), 335 (6), 405 (7)	CALL
4BB	351510	Burner Orifice Natural 185 (3), 265 (5), 335 (6), 405 (7)	CALL
5BB	008080F	Blower	CALL
6BB	008133F	Air Shutter 185	CALL
	008134F	Air Shutter 265/335	CALL
	008172F	Air Shutter 405	CALL
Controls			
1C	006725F	Thermostat autoreset 135° surface mount	CALL
2C	600892B	AGS 135° (Auto Gas Shut-off) Red Epoxy	47.74
3C	600893B	High Limit 140° - Black Epoxy	48.00
4C	010253F	P.C. Board control - IID heaters (A series)	524.00
	009059F	P.C. Board weather shield (not shown)	CALL
	013464F	P.C. Board IID units (B series)	392.00
5C	003346F	Thermostat Control MV Units - mechanical	CALL
6C	006710F	Temperature sensor IID units (A series)	CALL
	009577F	Temperature sensor IID units (B series)	88.00
7C	013640F	LCD Display (for 601944 Board)	CALL

Item #	Part No.	Description	List Price
Gas Valve			
1G	003898F	Combination Valve - Natural MV	CALL
	003899F	Combination Valve - LP MV	CALL
	003900F	Combination Valve - Natural IID	331.50
	004306F	Combination Valve - LP IID	322.00
2G	010812F	Combo Valve - On/Off NAT LoNox (A series)	CALL
	007424F	Combo Valve - On/Off NAT LoNox (B series)	CALL
Heat Exchanger - Polymer			
1HP	006702F to -05F	Heat Exchanger Assy complete 185 - 405	CALL
2HP	006827F	Inlet/Outlet header, complete	CALL
	006706F	Inlet/Outlet header (includes 6H)	CALL
3HP	006707F	Return header (includes 6H)	151.04
4HP	006708F to -11F	Tube Bundle 185 - 405	CALL
	009878F, 010365F,	Tube Bundle, Cupro Nickel 185 - 405	CALL
5HP	006712F	Bolt Kit (A series)	93.32
	008259F	Flange Nut Kit	24.58
6HP	006713F	O-ring gasket (2)	31.60
7HP	006714F	Sensor Adapter digital electronic	CALL
	006805F	Sensor well millivolt	CALL
8HP	006715F	Bypass kit	53.00
9HP	006716F	Bypass valve	CALL
10HP	006717F	Bypass dam/shaft	CALL
11HP	006718F	Bypass spring (all)	CALL
12HP	006719F	Unitherm governor	77.80
13HP	006720F	Unitherm governor plug	CALL
14HP	006721F	Drain plug	CALL
15HP	N/A	USE 18HP	N/A
16HP	006723F	2" PVC connector and nut (2)	CALL
17HP	006724F	O-ring (2)	27.90
18HP	006826F	Inlet/Outlet header baffle w/header da	CALL
19HP	005260F to -63F	Baffle (8) 185 - 405	CALL

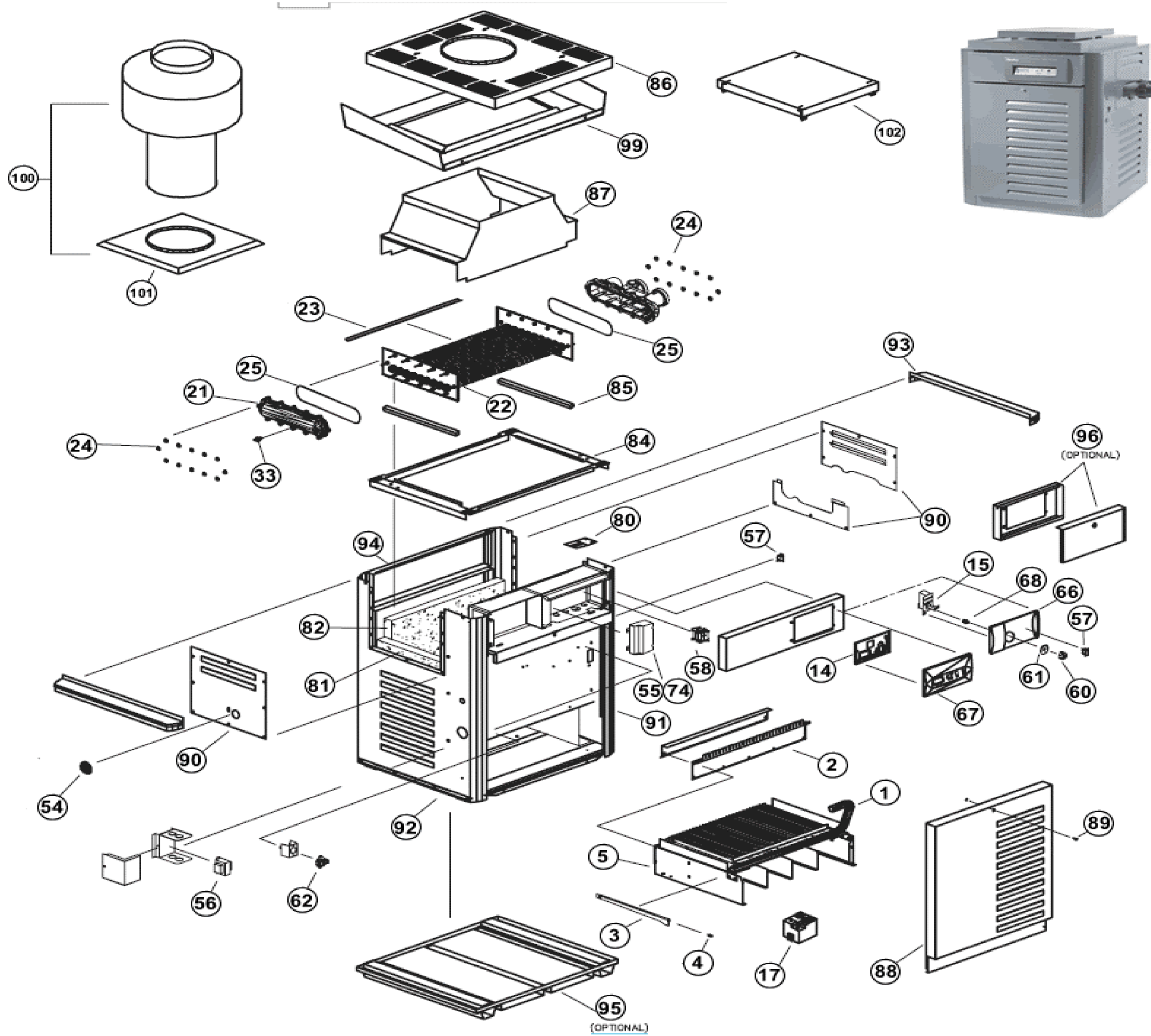


RAYPAK RP2100 series 185 thru 405 HEATERS (DOM 11/1/98 - 10/1/04) (A & B series)

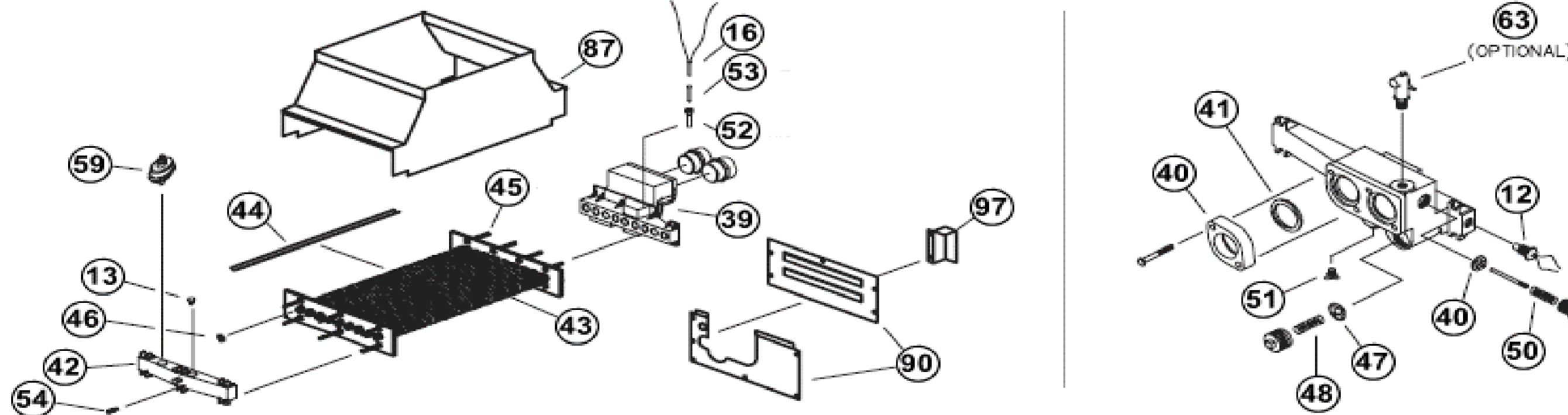
Item #	Part No.	Description	List Price
Heat Exchanger - Metal			
1HM	006726F to -29F	Heat Exchanger Assy complete ASME CI 185 - 405	CALL
2HM	006730F	Inlet/outlet header assy ASME CI complete	CALL
	012319F	Inlet/outlet header assy ASME CI	CALL
3HM	006731F	Return header ASME CI	176.30
4HM	006732F to -35F	Tube bundle ASME 185 - 405	CALL
	010859F, 010369F, 010860F & -61F	Tube bundle Cupro Nickel (upgrade) 185 - 405	CALL
5HM	001303F	Bolt Kit	CALL
	007870F	Stud bolt kit	CALL
6HM	800014B	Header gasket (9)	CALL
7HM	062234B	Unitherm governor	CALL
8HM	013792F	U.G. retainer spring	CALL
9HM	062235B	Bypass valve	40.22
10HM	850252	Bypass spring - 185	CALL
	013794F	Bypass spring 265 - 405	CALL
11HM	013793M	Drain valve	CALL
12HM	003765F	Sensor well	65.96
13HM	300203	Well retaining clip	CALL
14HM	003766F	Inlet & Outlet Flange	CALL
15HM	062236B	Flange gasket 1-1/2" connections	CALL
	800080B	Flange gasket 2" connections	CALL
16HM	005264F	Rear drain plug & cover	CALL
17HM	005260F to -63F	Baffle kit (8) 185 - 405	CALL
18HM	013738F	U.G. plug	CALL
Control Box			
1J	004817B	Ignition Control IID Natural	CALL
	004818B	Ignition Control IID LP AND Low Nox	CALL
2J	006736F	Transformer 120/240/24v	78.00
3J	006872F	Rocker switch (A series)	CALL
	009493F	Rocker switch (B series)	23.00
4J	008784F	Relay Low Nox	54.32
Miscellaneous Components			
1M	006737F	Pressure switch	CALL
	009133F	Pressure switch 11psi (special)	CALL
3M	800303	Thermostat Knob (1) (A series)	CALL
	009499F	Thermostat Knob (1) (B series)	CALL
4M	006886F	Knobstop (1)	CALL
5M	005899F	Thermal Fuse	44.00
	006035F	Roll-Out switch Low Nox	CALL
6M	008091F	PRV 125 PSI (optional) - 185	CALL
7M	052871F	Delimiting Kit	CALL
8M	005269F	Wire harness - MV	CALL
	006738F	Wire harness - IID	CALL
9M	005291F	Control panel - MV (A series)	CALL
	009489F	Control Bezel - MV (B series) includes decal	CALL
N/S	009500F	Dial Decal (B series)	CALL
10M	006739F	Control panel - IID (includes switch decal)	CALL
11M	800307	Thermostat shaft - MV	CALL
	009491F	Control bezel IID (B series) includes decal	CALL
12M	009492F	Switch/decal membrane (B series)	CALL
13M	009487F	Control bezel cover	CALL
14M	009585F	Dial only (B series)	CALL

Item #	Part No.	Description	List Price
Pilot			
1P	600525B	Pilot Natural MV	CALL
	600575B	Pilot LP MV	CALL
3P	008686F	Pilot IID Atmospheric (incl Nat & LP orifices) pre-6/1/2000	CALL
	002003F	Pilot IID Atmospheric (incl Nat & LP orifices) post-6/1/2000	106.00
	008155F	Pilot Nat IID Low Nox	CALL
5P	003901F	Pilot orifice Natural - MV	CALL
	003902F	Pilot orifice LP - MV	CALL
7P	003903F	Pilot orifice Natural - IID	CALL
	004308F	Pilot orifice LP - IID	CALL
9P	600019B	Pilot generator MV	CALL
12P	004817B	Ignition control Natural - IID	CALL
	004818B	Ignition control LP - IID	CALL
13P	306693	Pilot mounting bracket - MV	CALL
14P	306692	Pilot mounting bracket - IID	11.00
	008082F	Pilot mounting bracket - IID Low Nox	CALL
15P	062996	Lighter tube - MV only	CALL
16P	004078F	Pilot tube	50.84
17P	002654B	Hi tension wire IID	CALL
	007864F	Hi tension wire IID with pilot electrode	99.60
18P	307223	Pilot shield	CALL
Refractory			
1R	005282F	Refractory common (left or right)	CALL
2R	005283F to -56F	Refractory uncommon (front or rear) 185 - 405	CALL
3R	005287F to -90F	Refractory retainer kit 185 - 405	CALL
4R	006900F	Insulation strips	CALL
5R	012192F to -95F	Refractory 185 - 405	CALL
Sheet Metal			
1S	005303F to -06F	Jacket top (Louvered) 185-405	CALL
2S	006740F to -43F	Flue Collector (Capron header) 185-405	CALL
	005307F to -10F	Flue Collector (metal header) 185-405	CALL
3S	005315F to -18F	Door Assembly 185-405	CALL
4S	006744F	Screw and retainer	CALL
5S	006745F	Access panel set 3 pc - (Capron header)	CALL
	005277F	Access panel set 3 pc - (metal header)	CALL
6S	005300F	Side panel right	CALL
7S	005301F	Side panel left	CALL
8S	005302F	Side panel cap	CALL
9S	005278F to -81F	Real panel kit (2 pcs) 185-405	CALL
10S	005182 to -85	Sob-base for combustible flooring 185-405	CALL
11S	005198	Poolstat cover/lock	CALL
12S	005294F	High limit cover	CALL
13S	008558F to -61F	Base shield (not shown) 185-405	CALL
14S	009524F to -27F	Weather shield 185-405	CALL
Venting			
1V	006696 to -99	Indoor stack kit 185-405	CALL
2V	008895F to -98F	Stack adapter 185-405	CALL
3V	007990 to -93	"Pagoda" top 185-405	CALL
Conversion kits			
	004690B	Natural to LP - MV	CALL
	005319F	LP to Natural - MV	CALL
N/A	N/A	IID conversion - either	N/A

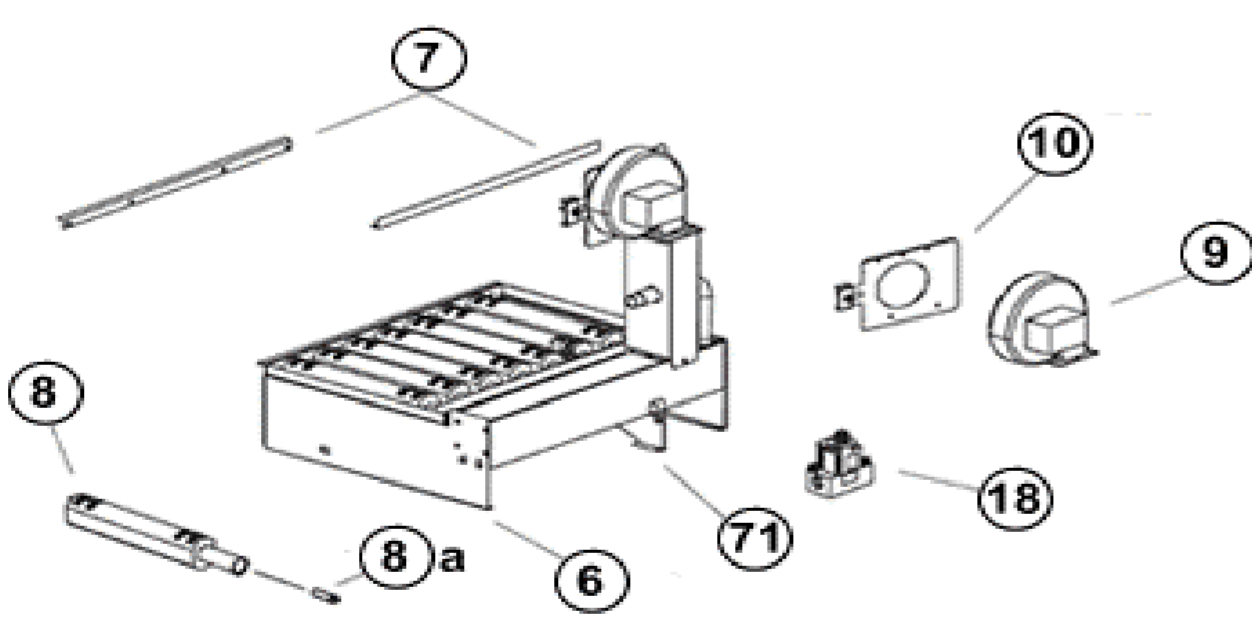
RAYPAK RP2100 series 185 thru 405 HEATERS (DOM 11/1/98 - 10/1/04) (A & B series)



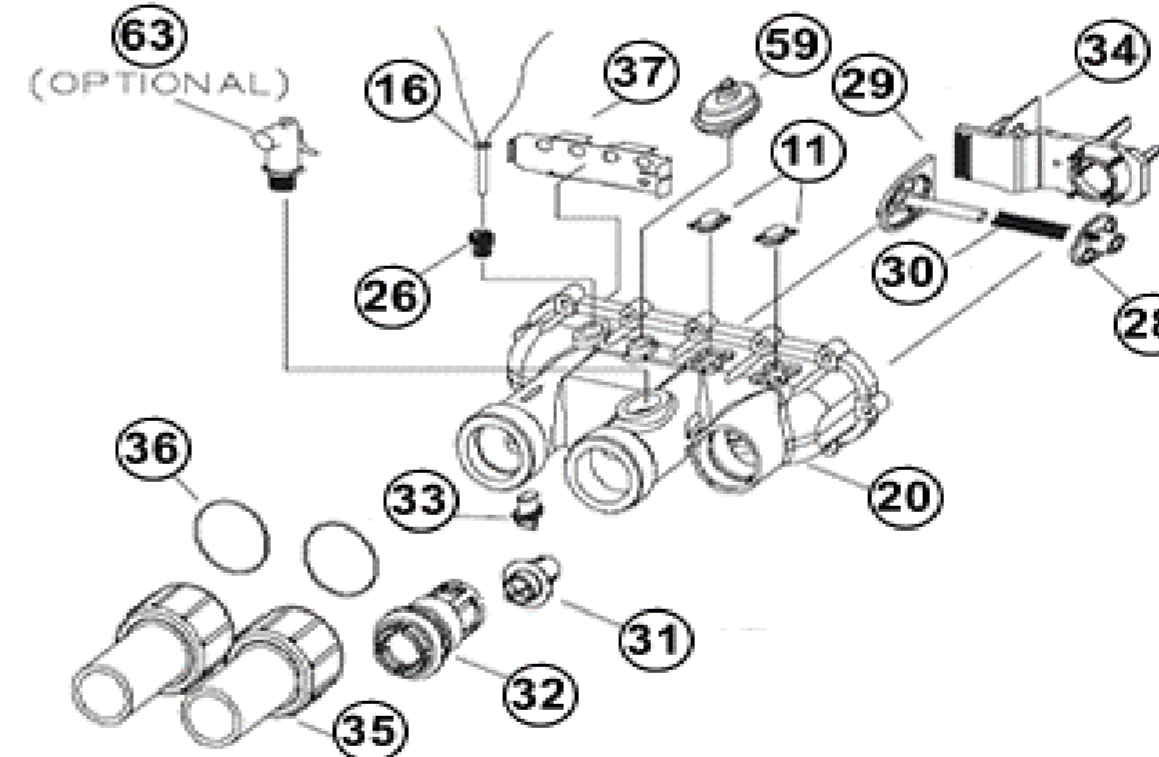
ASME Units with Metal Headers



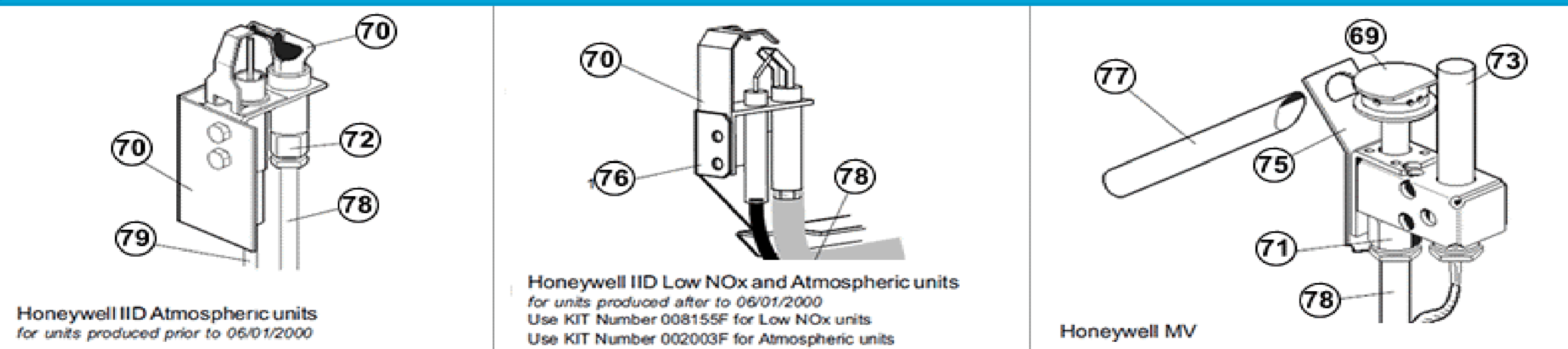
Low NOx BURNER TRAY



Units with Polymer Headers



PILOT ASSEMBLIES





RAYPAK RP2100 series 206 through 406 Digital Atmospheric Heater parts

Item #	Part No.	Description	List Price
Burner Tray			
1-B	010391F to -94F	Burner Tray w/burners 206 - 406	CALL
	010395F to -98F	Burner Tray w/o burners 206 - 406	CALL
	010399F to -402F	Burner Tray w/gas valve Natural MV 206 - 406	CALL
	010403F to -06F	Burner Tray w/gas valve LP MV 206 - 406	CALL
	010407F to -10F	Burner Tray w/gas valve Natural IID 206 - 406	CALL
	010411F to -14F	Burner Tray w/gas valve LP IID 206 - 406	CALL
2B	010415F to -18F	Burner Spacer/Hold Down Kit 206 - 406	CALL
3B	301210	Burner 206 (13), 266 (18), 336 (22), 406 (27)	CALL
4B	350079F	Burner Orifice Natural #51 (see 3B for qty)	CALL
	350083F	Burner Orifice LP #53 (see 3B for qty)	CALL
5B	010421F to -45F	Burner Tray w/o manifold or burners 206 - 406	CALL
Controls			
1C	006725F	Thermostat autoreset 135° surface mount	CALL
2C	600892B	AGS 135° (Auto Gas Shut-off) Red Epoxy	47.74
3C	600893B	High Limit 140° - Black Epoxy	48.00
4C	013464F	P.C. Board control	CALL
5C	003346F	Thermostat Control MV Units - mechanical	CALL
6C	009577F	Temperature sensor IID units (B series)	88.00
7C	013640F	LCD Display (after 5/2011 - prior N/A)	CALL
Gas Valve			
1G	003898F	Combination Valve - Natural MV	CALL
	003899F	Combination Valve - LP MV	CALL
	003900F	Combination Valve - Natural IID	331.50
	004306F	Combination Valve - LP IID	322.00
Heat Exchanger - Polymer			
1HP	010443F to -46F	Heat Exchanger Assy copper 206 - 406	CALL
	010356F to -59F	Heat Exchanger Assy CuproNickel 206 - 406	CALL
2HP	006827F	Inlet/Outlet header, complete	CALL
	006706F	Inlet/Outlet header (includes 6H)	CALL
3HP	006707F	Return header (includes 6H)	151.04
4HP	010059F to -62F	Tube Bundle copper 206 - 406	CALL
	010364F to -67F	Tube Bundle, Cupro Nickel 206 - 406	CALL
5HP	010038F, 005261F, 010040F, 010041F	Baffle 206 - 406	CALL
6HP	008259F	Flange nut kit	CALL
7HP	006713F	O-ring gasket (2)	31.60
8HP	006714F	Sensor Adapter digital electronic	CALL
	006805F	Sensor well millivolt	CALL
9HP	006715F	Bypass kit	53.00
10HP	006716F	Bypass valve	CALL
11HP	006717F	Bypass dam/shaft	CALL
12HP	006718F	Bypass spring (all)	CALL
13HP	006719F	Unitherm governor	77.80
14HP	006720F	Unitherm governor plug	CALL
15HP	006721F	Drain plug	CALL
16HP	N/A	USE 18HP	N/A

Item #	Part No.	Description	List Price
17HP	006723F	2" PVC connector and nut (2)	CALL
18HP	006724F	O-ring (2)	27.90
19HP	006826F	Inlet/Outlet header baffle w/header dam	CALL
Heat Exchanger - Metal			
1HM	010051F, 006727F, 010053F, 010054F	Heat Exchanger Assy copper ASME CI 206 - 406	CALL
	010360F to 63F	Heat Exchanger Assy CuproNickel ASME CI 206 - 407	CALL
2HM	006730F	Inlet/outlet header assy ASME CI comp	CALL
	012319F	Inlet/outlet header assy ASME CI	CALL
3HM	006731F	Return header ASME CI	176.30
4HM	010055F, 006733F, 010057F, 010058F	Tube bundle copper ASME 206 - 406	CALL
	010368F to 71F	Tube bundle Cupro Nickel ASME 206 - 407	CALL
5HM	010038F, 005261F, 010040F, 010041F	Baffle 206 - 406	CALL
6HM	007870F	Stud bolt kit	CALL
7HM	800014B	Header gasket (9)	CALL
8HM	062234B	Unitherm governor	CALL
9HM	013792F	U.G. retainer spring	CALL
10HM	062235B	Bypass valve	40.22
11HM	850252	Bypass spring - 206	CALL
	013794F	Bypass spring 266 - 406	CALL
12HM	013793M	Drain valve	CALL
13HM	003765F	Sensor well	65.96
14HM	300203	Well retaining clip	CALL
15HM	003766F	Inlet & Outlet Flange	CALL
16HM	062236B	Flange gasket 1-1/2" connections	CALL
	800080B	Flange gasket 2" connections	15.60
17HM	005264F	Rear drain plug & cover	CALL
18HM	013738F	U.G plug	CALL
Control Box			
1J	006736F	Transformer 120/240/24v	78.00
2J	009493F	Rocker switch (B series)	23.00
Miscellaneous Components			
1M	006737F	Pressure switch	CALL
	009133F	Pressure switch 11psi (special)	CALL
2M	009499F	Thermostat Knob (1)	CALL
3M	800307	Thermostat shaft	CALL
4M	006886F	Knobstop (1)	CALL
5M	005899F	Thermal Fuse	44.00
6M	008091F	PRV 125 PSI (optional)	CALL
7M	052871F	Delimiting Kit	CALL
8M	010386F	Wire harness - MV	CALL
	009490F	Wire harness - IID	CALL
9M	009489F	Control Bezel - MV includes decal	CALL
10M	009500F	Dial Decal MV	CALL
11M	009491F	Control bezel IID includes decal (prior to 5/2011)	CALL
	0137491F	Control bezel IID includes decal (after 5/2011)	CALL

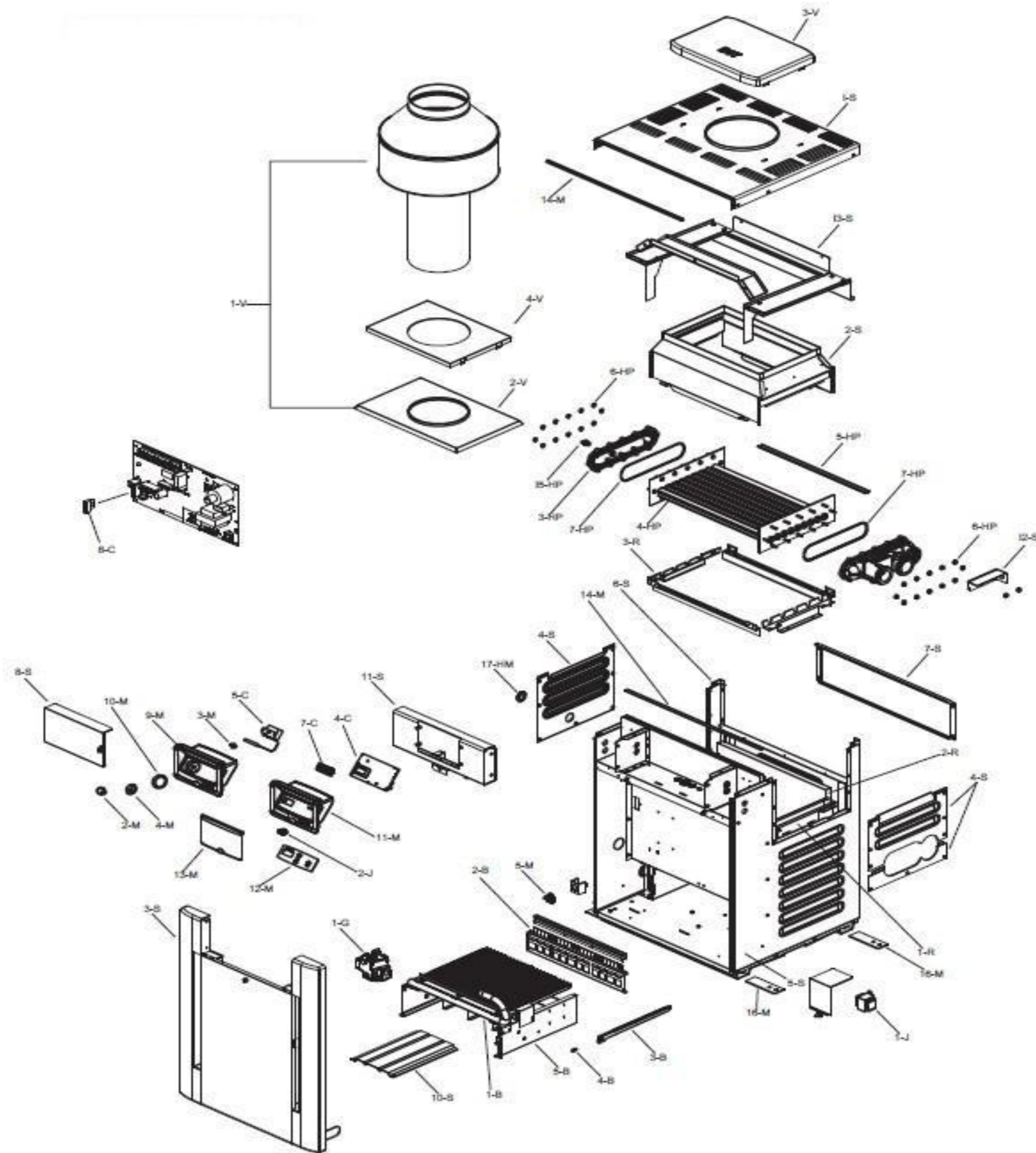


RAYPAK RP2100 series 206 through 406 Digital Atmospheric Heater parts

Item #	Part No.	Description	List Price
12HM	013793M	Drain valve	CALL
13HM	003765F	Sensor well	65.80
14HM	300203	Well retaining clip	CALL
15HM	003766F	Inlet & Outlet Flange	CALL
16HM	062236B	Flange gasket 1-1/2" connections	CALL
	800080B	Flange gasket 2" connections	15.60
17HM	005264F	Rear drain plug & cover	CALL
18HM	013738F	U.G plug	CALL
Control Box			
1J	006736F	Transformer 120/240/24v	78.00
2J	009493F	Rocker switch (B series)	23.00
Miscellaneous Components			
1M	006737F	Pressure switch	CALL
	009133F	Pressure switch 11psi (special)	CALL
2M	009499F	Thermostat Knob (1)	CALL
3M	800307	Thermostat shaft	CALL
4M	006886F	Knobstop (1)	CALL
5M	005899F	Thermal Fuse	44.00
6M	008091F	PRV 125 PSI (optional)	CALL
7M	052871F	Delimiting Kit	CALL
8M	010386F	Wire harness - MV	CALL
	009490F	Wire harness - IID	CALL
9M	009489F	Control Bezel - MV includes decal	CALL
10M	009500F	Dial Decal MV	CALL
11M	009491F	Control bezel IID includes decal (prior to 5/2011)	CALL
	0137491F	Control bezel IID includes decal (after 5/2011)	CALL
12M	009492F	Switch/decal membrane (prior to 5/2011)	CALL
	013492F	Switch/decal membrane (after 5/2011)	CALL
13M	009487F	Control bezel cover	CALL
14M	010350F	Gasket insulation (swaybrace & jacket top)	CALL
15M	various	Touch up paint - various colors	CALL
16M	011636	Tie down bracket (optional)	CALL
17M	012011	Texas code add on (ASME)	331.76
Pilot			
1P	600525B	Pilot Natural MV	CALL
	600575B	Pilot LP MV	CALL
2P	002003F	Pilot IID Atmospheric (incl Nat & LP orifices)	106.00
3P	003901F	Pilot orifice Natural - MV	CALL
	003902F	Pilot orifice LP - MV	CALL

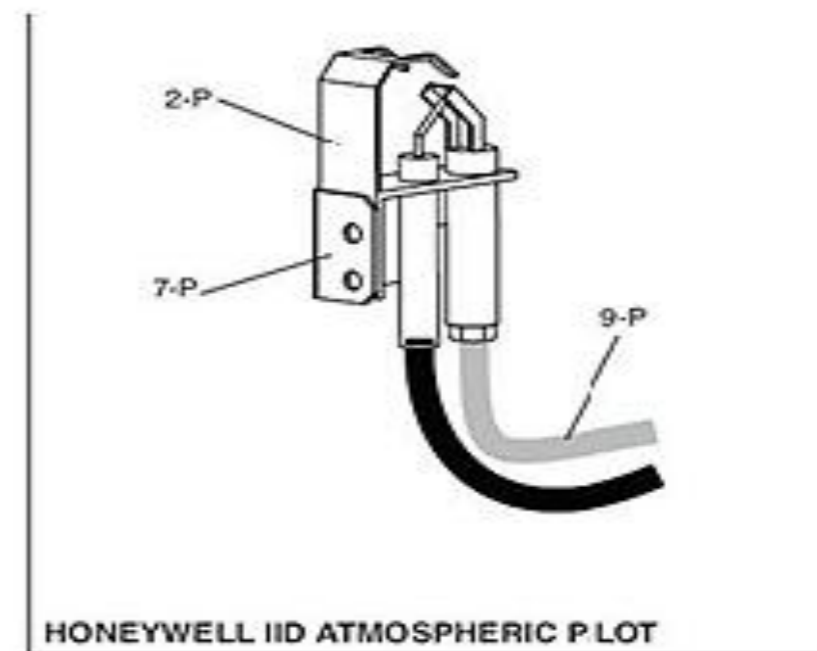
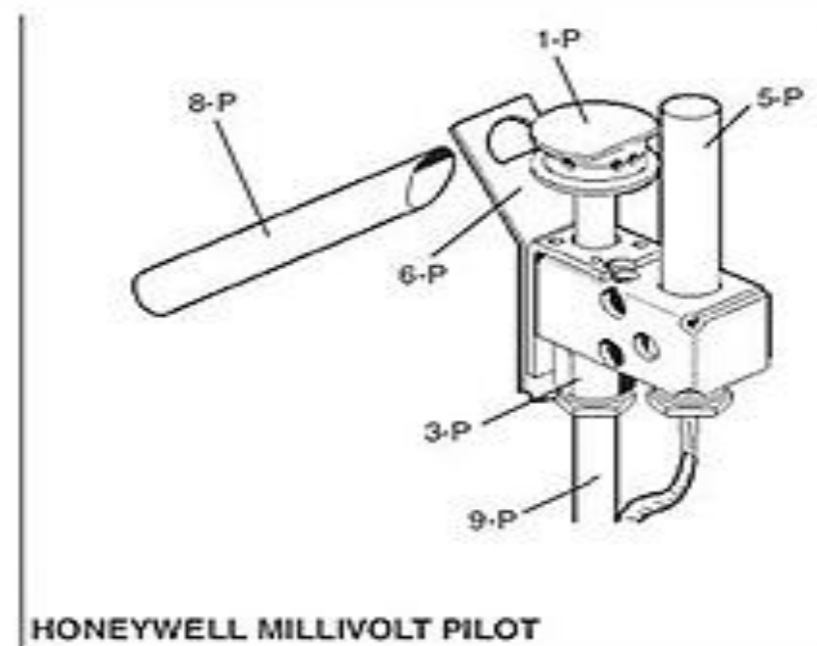
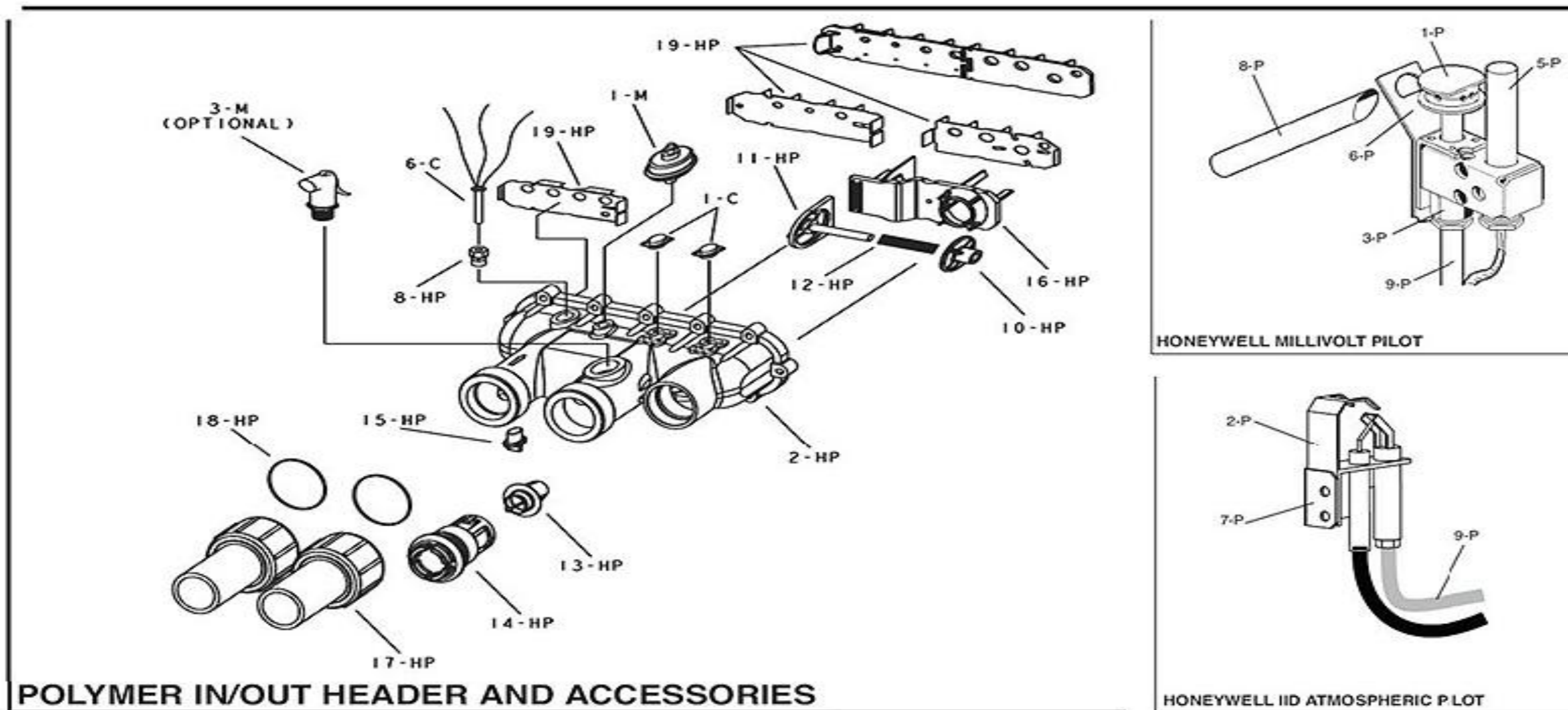
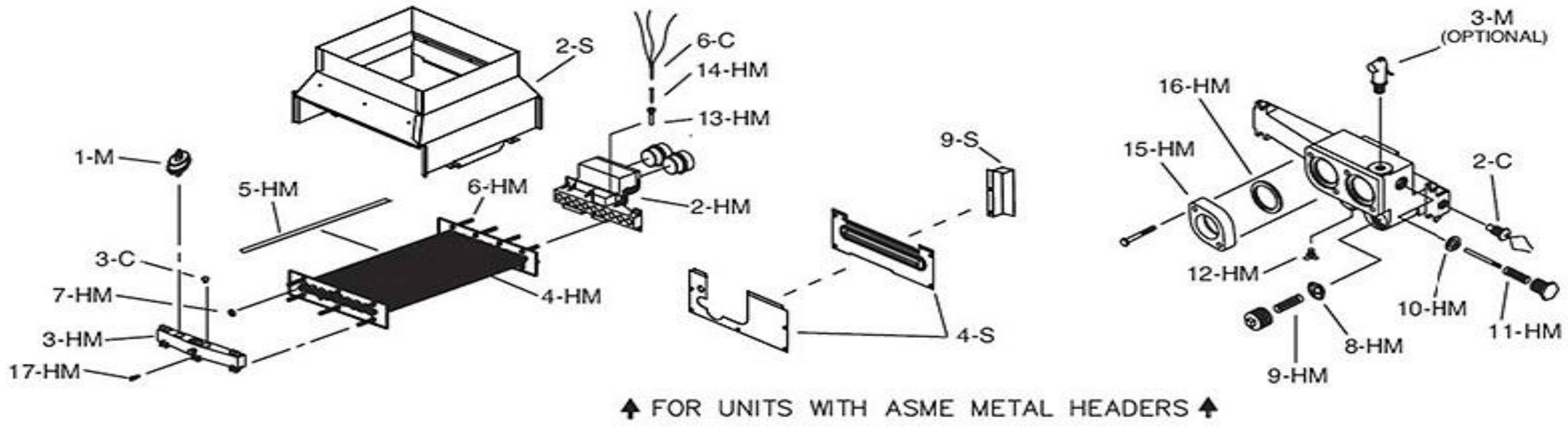
Item #	Part No.	Description	List Price
3P	008686F	Pilot IID Atmospheric (incl Nat & LP	CALL
4P	003903F	Pilot orifice Natural - IID	CALL
	004308F	Pilot orifice LP - IID	CALL
5P	600019B	Pilot generator MV	CALL
6P	010352F	Pilot mounting bracket MV	CALL
7P	306692	Pilot mounting bracket - IID	11.00
8P	062996	Lighter tube - MV only	CALL
9P	004078F	Pilot tube	50.84
10P	007864F	Hi tension wire IID with pilot electrode	99.60
11P	010351F	Pilot Shield	CALL
Refractory			
1R	010088F	Refractory common (left or right)	CALL
2R	010089F to 92F	Refractory uncommon (front or rear) 206 - 406	CALL
3R	010387F to 90F	Refractory retainer kit 206 - 406	CALL
Sheet Metal			
1S	010047F to 50F	Jacket top (louvered) 206 - 406	CALL
2S	010071F to 74F	Flue Collector (polymer header) 206 - 406	CALL
	010057F to 78F	Flue Collector (metal header) 206 - 406	CALL
3S	various	Door Assembly 206 - 406 various colors	CALL
4S	010311F	Access panel set 3 pc - (polymer header)	CALL
	010312F	Access panel set 3 pc - (metal header)	CALL
5S	010376F	Side panel right	CALL
6S	010377F	Side panel left	CALL
7S	010372F to 75F	Real panel kit (2 pcs) 206 - 406	CALL
8S	009505	Poolstat cover/lock	CALL
9S	101319F	High limit cover	CALL
10S	010320F	Base heat shield	CALL
11S	various	Up front control panel - various colors	CALL
12S	010342F	High limit shield	CALL
13S	010325F	Weather shield	CALL
Venting			
1V	009838 to 41	Indoor stack kit 206 - 406	CALL
	009834 to 37	Outdoor stack kit 206 - 406	CALL
2V	010330F to 33F	Stack adapter 206 - 406	CALL
3V	various	"Pagoda" top various colors	CALL
Conversion kits			
	004690B	Natural to LP - MV	CALL
	010419F	LP to Natural - MV	CALL
N/A	N/A	IID conversion - either	N/A

RAYPAK RP2100 series 206 through 406 Digital Atmospheric Heater parts





RAYPAK RP2100 series 206 through 406 Digital Atmospheric Heater parts





RAYPAK RP2100 207 - 407 series Digital Low Nox (12/1/04 - current)

Item #	Part No.	Description	List Price
Burner Tray			
1B	010343F to -46F	Burner tray w/ burners 207 - 407	CALL
	010084F to -87F	Burner tray w/o burners	CALL
2B	010254F to -57F	Burner hold down kit 207 - 407	CALL
3B	310732	Burner 207(3), 267(4), 337(5), 407(6)	CALL
4B	351632	Burner orifice, NAT 207(3), 267(4), 337(5), 407(6)	CALL
5B	010042F	Blower	
6B	010338F to -41F	Combustion air orifice plate 207 - 407	CALL
7B	010871F	Cooling fan	CALL
Controls			
1C	006725F	Thermostat, auto reset, 135°	CALL
2C	600892B	AGS 135° (auto gas shutoff) red epoxy	47.74
3C	600893B	High limit 140° black epoxy	48.00
4C	013464F	P.C. Board/control	392.00
5C	013640F	LCD display (manf. after 1/2011)	CALL
	N/A	LCD display (manf. prior to 1/2011)	N/A
6C	009577F	Temperature sensor	88.00
7C	008062F	Blower pressure switch	CALL
8C	013733F	Fuse 5 AMP	CALL
Gas Valve			
1G	010329F	Combination valve-gas on/off - Nat	350.00
Heat Exchanger - Polymer			
1HP	010043F to -46F	Heat exchanger assy - copper 207 - 407	CALL
	010356F to -59F	Heat exchanger assy - CuproNickel 207 - 407	CALL
2HP	006872F	Inlet/outlet header complete	CALL
	006706F	Inlet/outlet header (includes part# 6HP)	CALL
3HP	006707F	Return header (includes part #6HP)	152.04
4HP	010059F to -62F	Tube bundle copper 207 - 407	CALL
	010364F to -67F	Tube bundle CuproNickel 207 - 407	CALL
5HP	010038F	Baffle 207	CALL
	005261F	Baffle 267	CALL
	010040F	Baffle 337	CALL
	010041F	Baffle 407	CALL
6HP	008259F	Flange nut kit	24.58
7HP	006713F	O-ring gasket (2)	31.60
8HP	006714F	Sensor adapter digital electronic	CALL
	006805F	Sensor well MV	CALL
9HP	006715F	Bypass kit	53.00
10HP	006716F	Bypass valve	CALL
11HP	006717F	Bypass dam/shaft	CALL
12HP	006718F	Bypass spring	CALL
13HP	006719F	Unitherm governor	77.80
14HP	006720F	Unitherm governor plug	CALL
15HP	006721F	Drain plug	CALL
16HP	N/A	Inlet/outlet header dam - USE # 19HP	N/A

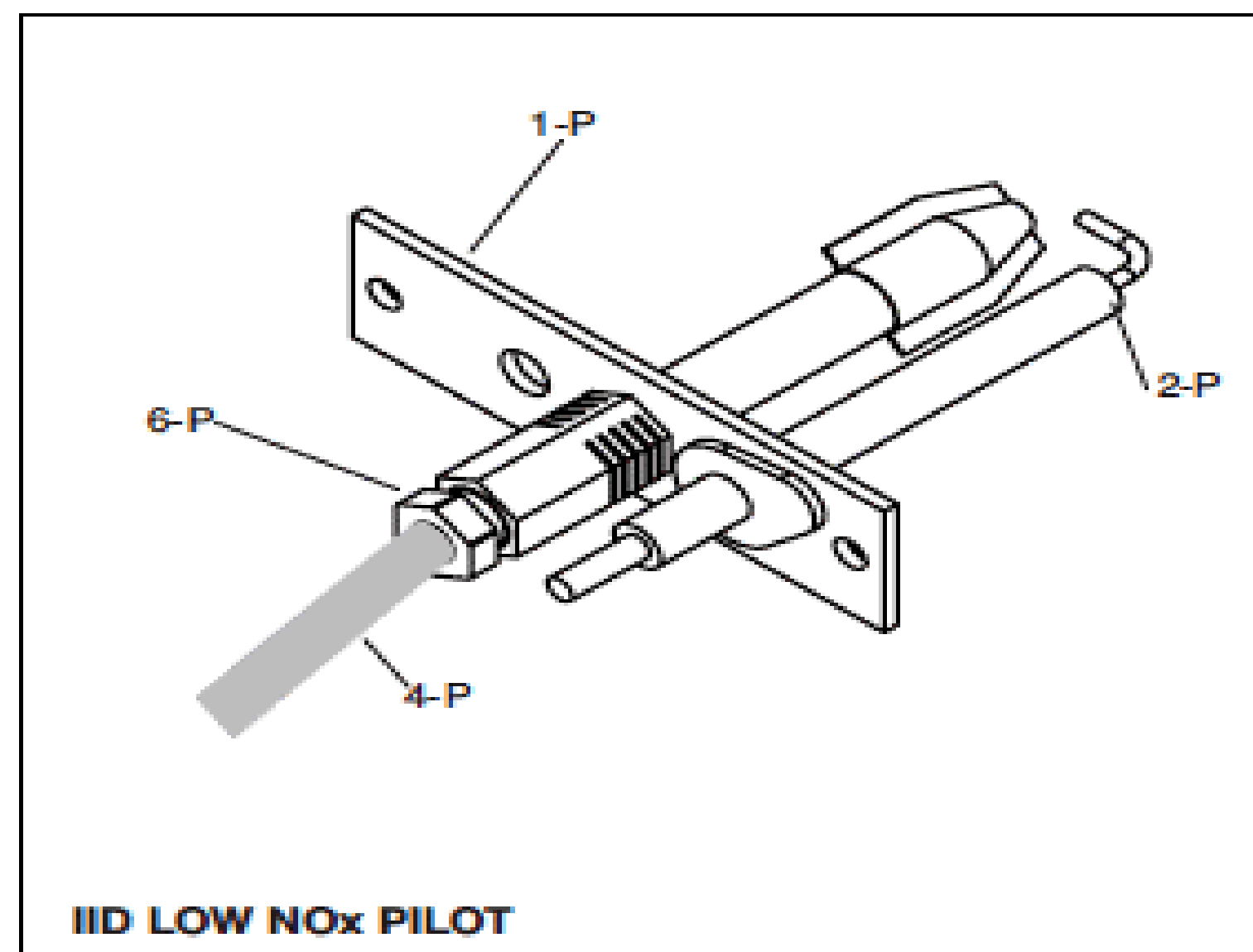
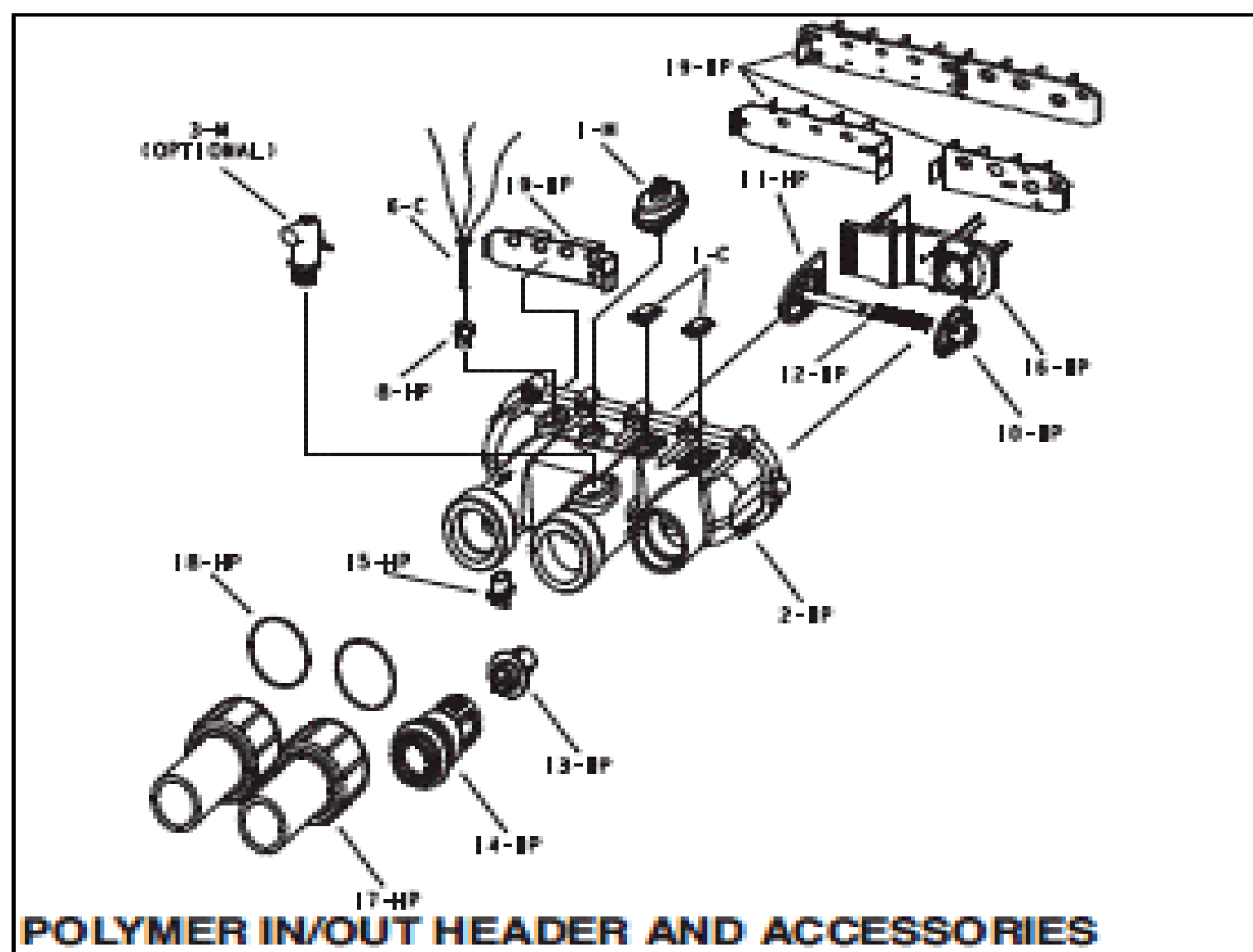
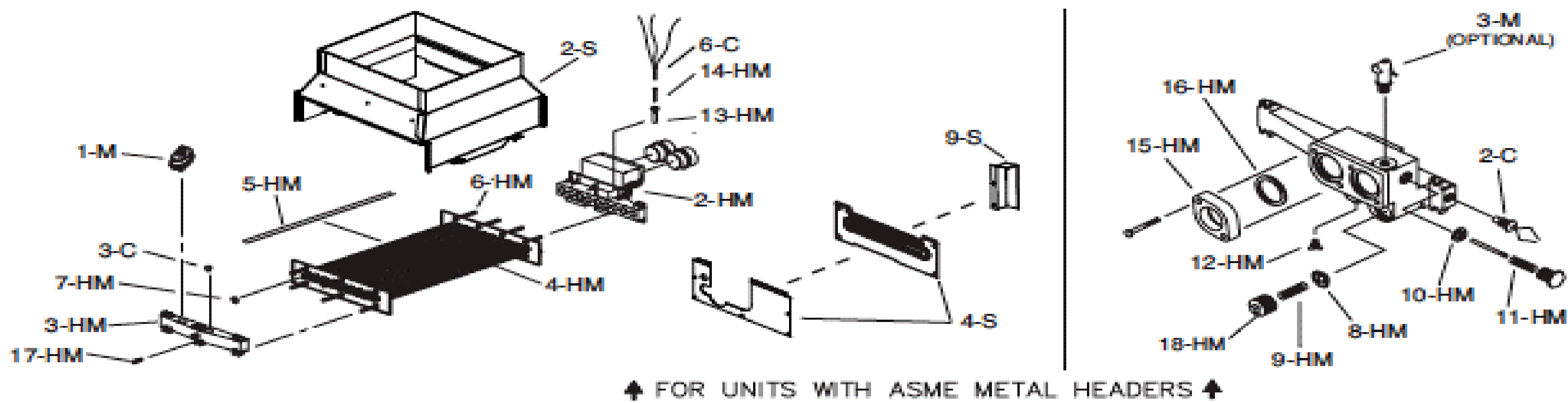
Item #	Part No.	Description	List Price
17HP	006723F	2" PVC connector & nut (2)	CALL
18HP	006724F	O-ring (2)	27.90
19HP	006826F	Inlet/outlet header baffle w/dam	CALL
Heat Exchanger - Metal			
1HM	010051F, 006727F, 010053F, 010054F	Heat exchanger assy complete, copper ASME, CI 207 - 407	CALL
	010360F to -63F	Heat exchanger assy complete, CuproNickel ASME, CI 207 - 407	CALL
2HM	006730F	Inlet/outlet header ASME, CI complete	CALL
	012319F	Inlet/outlet header ASME, CI	CALL
3HM	006731F	Return header ASME, CI	176.30
4HM	010055F, 006733F, 010057F, 010058F	Tube bundle coper, ASME 207 - 407	CALL
	010368F to -71F	Tube bundle CuproNickel, ASME 207 - 407	CALL
5HM	010038F	Baffle 207	CALL
	005261F	Baffle 267	CALL
	010040F	Baffle 337	CALL
	010041F	Baffle 407	CALL
6HM	007870F	Stud bolt kit	CALL
7HM	800014B	Header gasket (8)	CALL
8HM	062234B	Unitherm governor	CALL
9HM	013792F	U.G. retainer spring	CALL
10HM	062235B	Bypass valve	40.22
11HM	850252	Bypass spring - 207	CALL
	013794F	Bypass spring - 267-407	CALL
12HM	013793F	Drain valve	CALL
13HM	003765F	Sensor well	65.96
14HM	300203	Well retaining clip	CALL
15HM	003766F	Inlet & outlet flange	CALL
16HM	062236B	Flange gasket 2" connections	CALL
	800080B	Flange gasket 1-1/2" connections	15.60
17HM	005264F	Rear drain plug & cover	CALL
Control Box			
1J	006736F	Transformer 120/240/24v	78.00
2J	009493F	Rocker switch	23.00
3J	008784F	Relay low nox	54.32
Miscellaneous Components			
1M	006737F	Pressure switch 1.75 psi	CALL
	009133F	Pressure switch 11 psi - special	CALL
2M	006035F	Roll-out switch 300°	CALL
3M	008091F	PRV 125 psi - optional - 207	CALL
	007224F	PRV 125 psi - optional - 267-407	CALL
4M	052871F	Delimiting kit	CALL
5M	010347F	Wire/harness	CALL
6M	009491F	Control bezel w/decal (prior to 1/2011)	CALL
	013491F	Control bezel w/decal (after 1/2011)	CALL
7M	009492F	Switch/decal-membrane (after 1/2011)	CALL
	013492F	Switch/decal-membrane (prior to 1/2011)	CALL



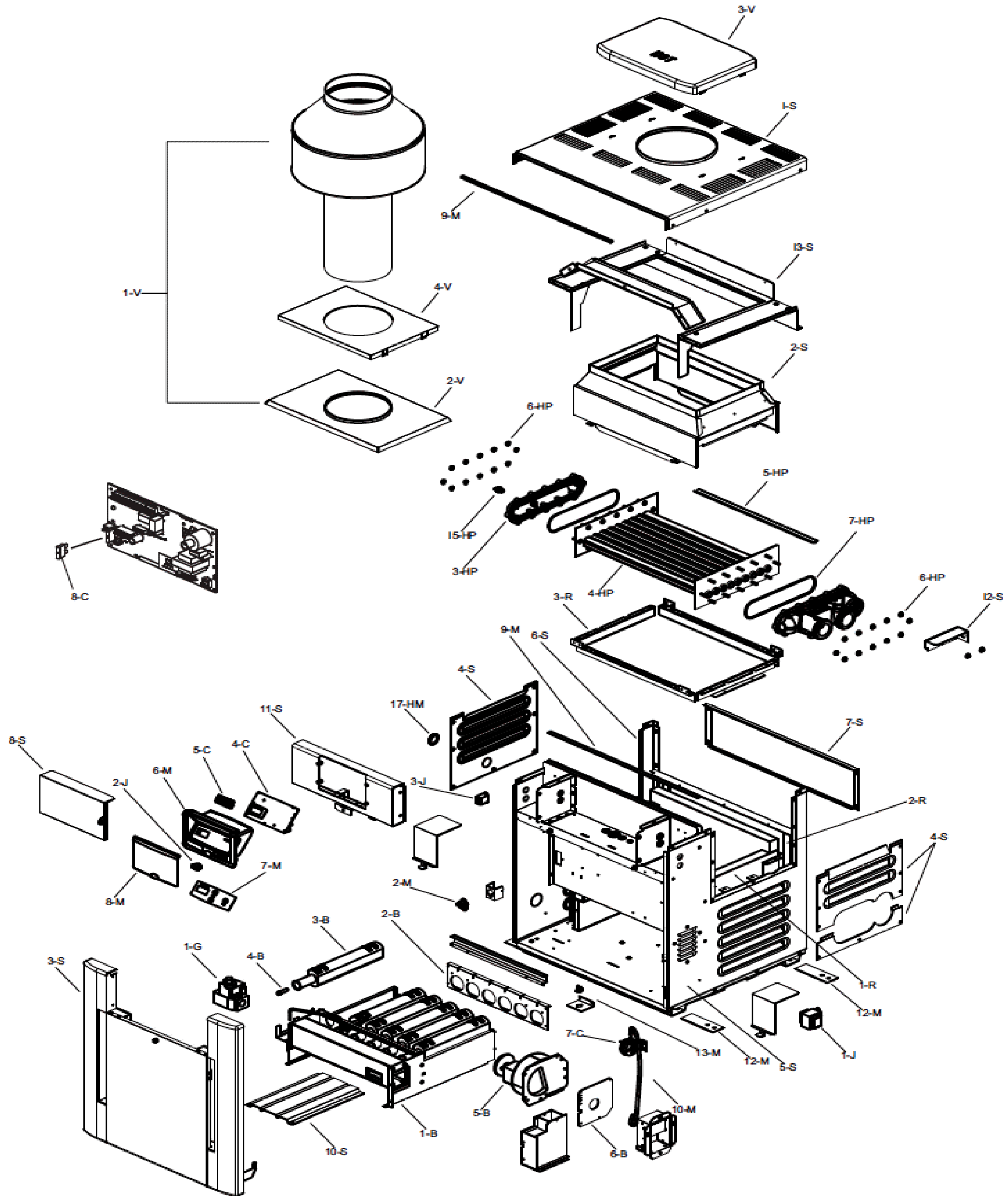
RAYPAK RP2100 207 - 407 series Digital Low Nox (12/1/04 - current)

Item #	Part No.	Description	List Price
8M	009487F	Control bezel cover	CALL
9M	010350F	Gasket insulation (swaybrace & jacket top)	CALL
10M	010348F	Blower/air pressure switch sample tube	CALL
11M	various	Touch up paint (green, gray, cool gray, warm gray)	CALL
12M	011636	Tie down bracket (optional)	CALL
13M	011745F	Roll-out switch 250° (optional)	CALL
	011733F	Roll-out switch 250° (upgrade)	CALL
14M	012011	Texas code add on (ASME)	331.76
Pilot			
1P	010232F	Pilot Nat IID Low Nox	164.00
2P	N/A	Pilot electrode	N/A
3P	010233F to -36F	Pilot mounting bracket 207 - 407	CALL
4P	011926F	Pilot tube	48.48
5P	010349F	Hi tension wire IID	CALL
6P	011927F	Adapter nut (metric)	CALL
Refractory			
1R	010079F	Refractory common (left/right)	CALL
2R	010080F to -83F	Refractory uncommon (front/rear)	CALL
3R	010262F to -65F	Refractory retainer kit	CALL
Sheet Metal			
1S	010047F to -50F	Jacket Top louvered	CALL
2S	010063F to -66F	Flue collector (polymer headers)	CALL
	010067F to -70F	Flue collector (metal headers)	CALL

Item #	Part No.	Description	List Price
3S	various	Door assembly - various colors	CALL
4S	010311F	Access panel set 3 pcs (polymer headers)	CALL
	010312F	Access panel set 3 pcs (metal headers)	CALL
5S	010313F	Jacket side panel right	CALL
6S	010314F	Jacket side panel left	CALL
7S	010315F to -18F	Jacket rear panel - 2 pieces 2070-0407	CALL
8S	009505	Poolstat cover/lock	CALL
9S	010319F	High limit cover	CALL
10S	010320F	Base heat shield	CALL
11S	various	Up front control panel - various colors	CALL
12S	010342F	High limit shield	CALL
13S	010325F to -28F	Weather shield	CALL
Venting			
1V	009838 to -41	Indoor stack kit incl adapter panel 207-407	CALL
	009834 to -37	Outdoor stack kit incl adapter panel 207-407	CALL
2V	010330F to -33F	Stack adapter 207-407	CALL
3V	various	"Pagoda" top - various size & color	CALL
4V	011461F to -64F	Outer stack adapter	CALL



RAYPAK RP2100 207 - 407 series Digital Low Nox (12/1/04 - current)





JANDY Lxi HEATER PARTS

Item #	Part No.	Description	List Price
HEAT EXCHANGER COMPONENTS			
1	R0453303, 04, 05	Complete heat exchanger (copper) 250, 300, 400	CALL
2	R0453403, 04, 05	Tube assembly (Cu) w/hardware & gaskets 250, 300, 400	CALL
3	R0453503, 04, 05	Heat exchanger end baffles 250, 300, 400	CALL
4	R0453600	Front header w/ hardware & gaskets	830.00
5	R0453700	Bypass assy w/hardware and O-ring	CALL
6	R0453800	Bypass assembly w/ O-ring	CALL
7	R0453900	Spring, bypass	CALL
8	R0454000	Coupling nut kit w/O-ring (set of 2)	CALL
9*	R0454100	O-ring, coupling (set of 2)	CALL
10	R0454200	Rear header w/hardware and gaskets	258.00
11	R0454300	Header gaskets (front or rear, set of 16)	CALL
12	R0454400	Header drain plug w/ O-ring (set of 3)	CALL
13	R0454500	Heat exchanger hardware kit w/gaskets	CALL
14	R0454500	Cap sensor / pressure switch O-ring	CALL
15	R0454600	Return header cap & O-ring	CALL
GAS COMPONENTS			
16	R0454700	Burner w/ gasket	CALL
16	R0454701	Burner w/ tap & gasket	CALL
17	R0454803, 04, 05	Gas manifold, natural 250, 300, 400	CALL
17**	R0455003, 04, 05	Gas manifold, LP 250, 300, 400	CALL
18	R0455200	Gas valve, natural, w/ street elbow	CALL
18	R0455300	Gas valve, LP, w/ street elbow	CALL
EXHAUST SYSTEM			
19	R0455503, 04, 05	Flue collector w/ gaskets 250, 300, 400	CALL
20	R0455600	Blower assembly w/ gasket	801.80
21	R0455700	Air orifice adjust bracket	CALL
22	R0455801, 02	Flue vent assy w/ gasket 250/300, 400	CALL
23	R0456001, 02	Outdoor grill, 250/300, 400	CALL
24	R0456100	Vent hardware kit	CALL
25	R0456200	Flue box assembly w/ hardware	CALL
26	R0467301, 02	Side wall vent kit 250/300, 400	CALL

Item #	Part No.	Description	List Price
ELECTRICAL			
27	R0456300	Transformer	174.78
28	R0456400	Air pressure switch	139.68
29	R0456500	Temperature sensor w/ sleeve & gasket	134.32
30	R0456600	Gasket, temperature sensor	CALL
31	R0456700	Plastic sleeve, temperature sensor	CALL
32	R0456800	Plug sensor	CALL
33	R0456900	Ignition control	478.80
34	R0457000	Water pressure switch assembly	CALL
35	R0013200	Water pressure switch, 2 psi	CALL
36	R0457100	Water pressure switch tubing	CALL
37	R0457200	High limits set	CALL
38	R0457300	High limit 130° F	61.92
39	R0023000	High limit 150° F	CALL
40	R0457400	Harness, high limit switch	CALL
41	R0457500	Hot surface igniter	163.40
42	R0457600	Wire harness set complete	CALL
43	R0457700	Harness, power interface controller (fuse included)	CALL
44	R0457800	Harn water pressure switch, universal control	CALL
45	R0457900	Harn manual reset, RL-Out	CALL
46	R0460400	Harn air flow switch	CALL
47	R0458100	Power distribution circuit board	CALL
48	R0458200	Universal control PI PCB	618.10
49	R0458300	Universal control user interface	CALL
50	R0458400	Cover, display w/ bezel	CALL
51*	R0458500	Gasket, display w/ bezels	CALL
52	R0458600	Flame sense rod	122.44
53	R0012200	Fusible link	CALL
54	R0337200	Fusible link bracket	CALL



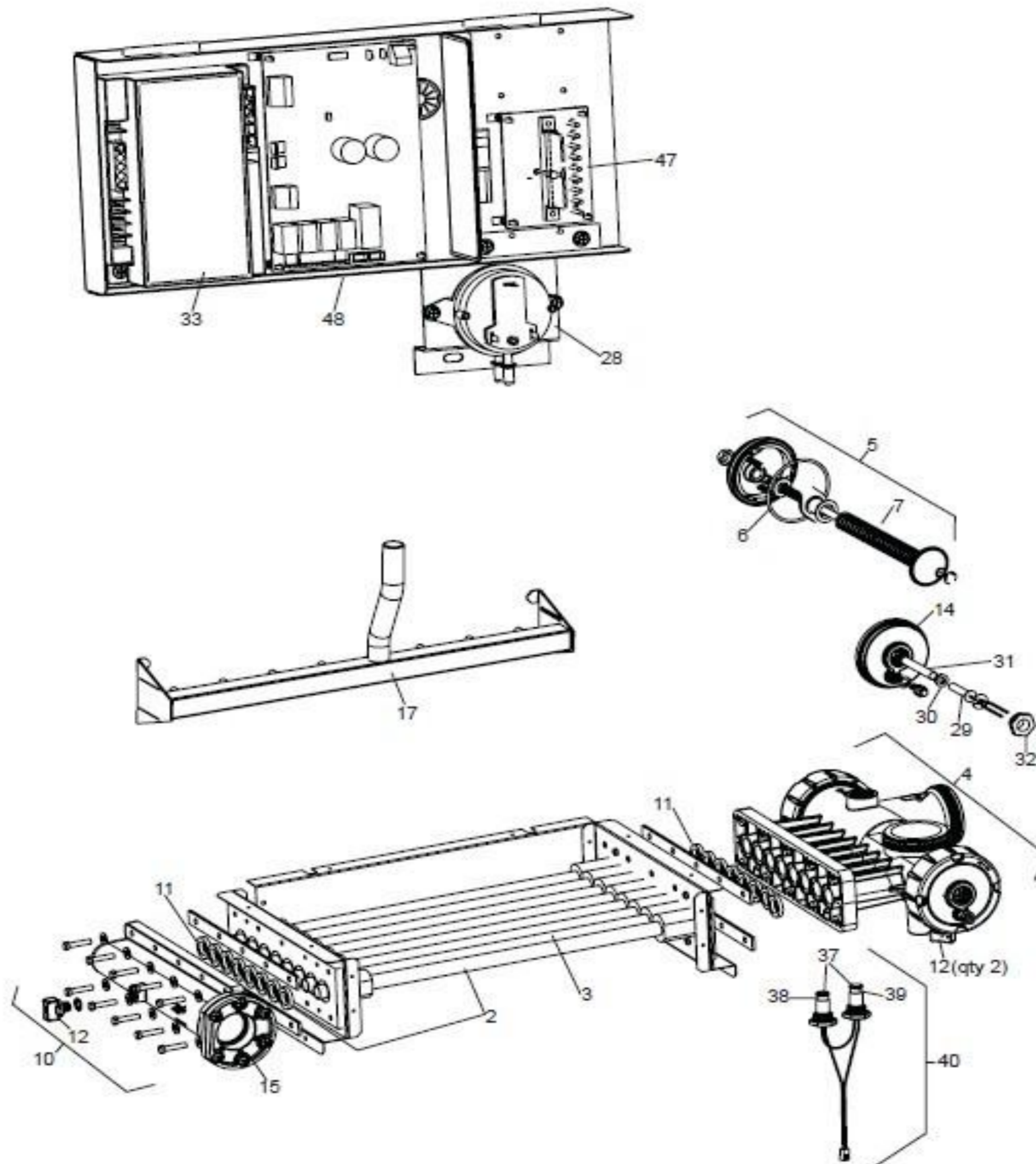
JANDY Lxi HEATER PARTS

Item #	Part No.	Description	List Price
JACKET ASSEMBLY			
55	R0458703, 04, 05	Door w/ latch 250, 300, 400	CALL
56	R0334900	Door latch assembly w/ handle	CALL
57	R0458800	Panel, side, left	CALL
58	R0458900	Panel, side, right	CALL
59	R0459000	Panel, bottom header, in/out	CALL
60	R0459100	Panel top, header in/out	CALL
61	R0459200	Panel, return header side	CALL
62	R0459300	Panel, side support	CALL
63	R0459803, 04, 05	Rear panel 250, 300, 400	CALL
64	R0459401, 02	Vent back cover 250/300, 400	CALL
65	R0459503, 04, 05	Top assembly 250, 300, 400	CALL
66	R0459603, 04, 05	Combustion chamber panels, set 250, 300, 400	CALL
67	R0459903, 04, 05	Front Support Door 250, 300, 400	CALL

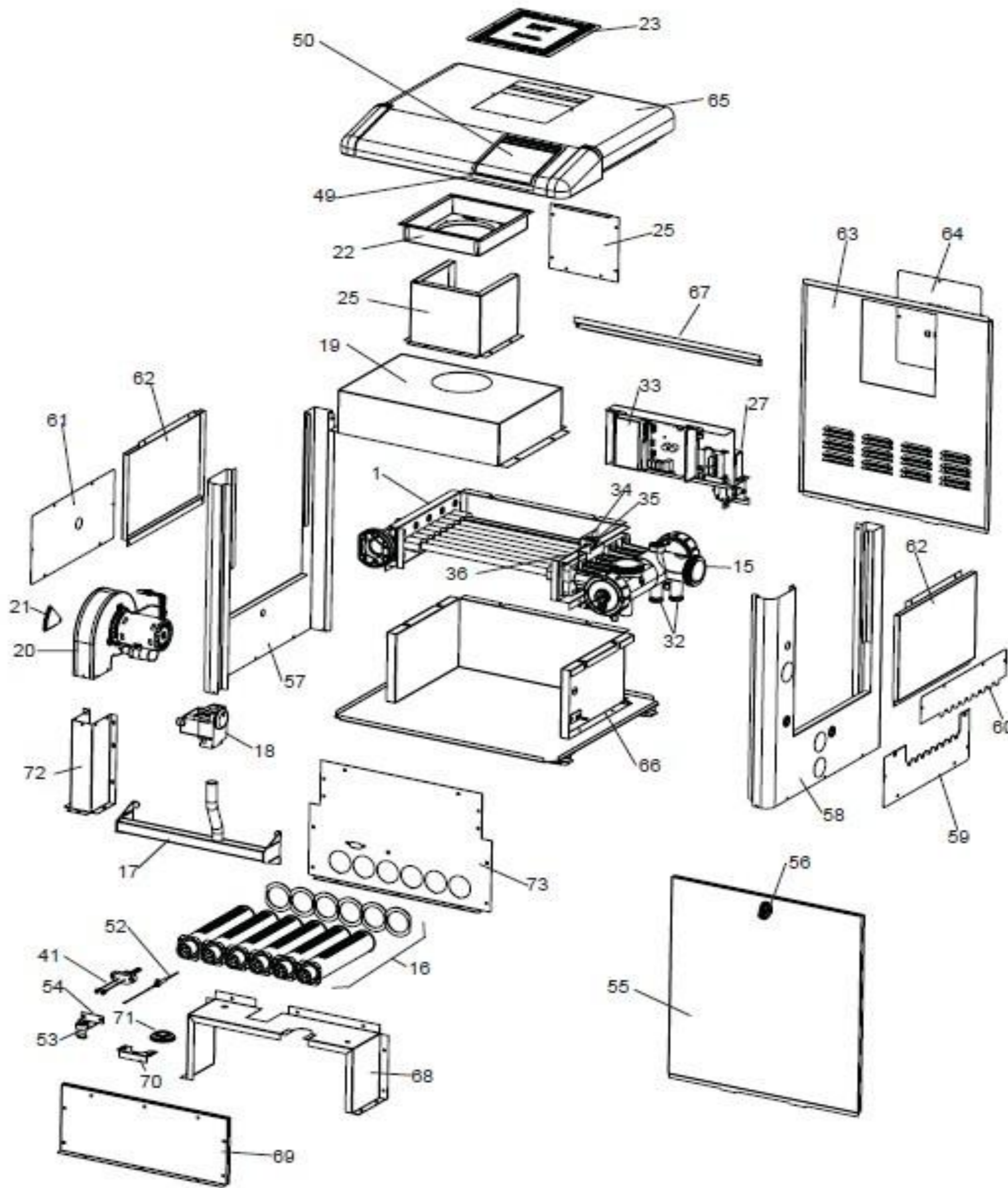
Item #	Part No.	Description	List Price
JACKET ASSEMBLY (cont)			
68	R0460003, 04, 05	Housing air chamber	CALL
69	R0460103, 04, 05	Cover, air chamber	CALL
70	R0460200	Cover, manifold	CALL
71	R0460300	Grommet seal, 2"	CALL
72	R0460500	Air duct	CALL
73	R0467900	Panel, burner	CALL
OPTIONAL			
74	R0453203, 04, 05	Non comb. Base 250, 300, 400	CALL
75	R0335800	Touch-up paint	CALL
76	R0336000	Temperature rise measurement kit	CALL
77	R0336100	Pressure relief valve	72.02
78	R0382800	High temp silicone sealant	CALL

NOTES:

1. All hardware sets contain all pieces necessary for assembly, including gaskets
 2. Gaskets and hardware are included on all kits that involve the removal of a gasket as part of the procedure to replace a part.
- * PARTS NOT SHOWN ON KEY VIEW
 ** MANIFOLD KIT INCLUDED INSTALLED ORIFICES BUT DOES NOT INCLUDE GAS VALVE



JANDY Lxi HEATER PARTS





JANDY LITE HEATER (LD, LG) PARTS

Item #	Part No.	Description	List Price
PILOT GAS SYSTEM			
1	R0099200	Pilot, main burner assy, LPG	CALL
1	R0099100	Pilot, main burner assy, Natural	CALL
2	R0096700	Pilot burner, Natural	CALL
2	R0096600	Pilot burner, LP	CALL
2A	R0323300	Pilot shield	CALL
3	W0036901+	Pilot generator	86.70
4	R0011600	Ceramic insulator assy	CALL
5	10457500+	Burner, main w/ pilot bracket	CALL
6	R0099000	High voltage lead assy	46.70
7	R0037000	Pilot tubing	23.00
8, 9	R0355900	Piezo lighter assy (use R0096800) - LG only	CALL
9	R0446900	Igniter box - LD	CALL
10	R0317200	Igniter - LD	131.70
N/S	R0334200	HIS shield - LD	CALL
N/S	R0334300	Flame sensor - LD	CALL
MAIN GAS SYSTEM			
11	R0098601-05	Burner tray assembly - Natural 125 - 400 - LG	CALL
11	R0098701-05	Burner tray assembly - LP 125 - 400 - LG	CALL
11	R0316901-05	Burner tray assembly - Natural 125 - 400 - LD	CALL
11	R0319502-05	Burner tray assembly - LP 175 - 400 - LG (NOTE - 125 is discontinued)	CALL
12	R0317001-05	Burner tray shelf only - 125-400	CALL
13	R0096400	Gas valve Natural - LG	CALL
13	R0096900	Gas valve LP - LG	422.98
13	R0317100	Gas valve Natural - LD	CALL
13	R0319600	Gas valve LP - LD	CALL
13A	L0032200+	Gas orifice - Natural (Note 1)	CALL
15	L0032900+	Gas orifice - LP (Note 1)	CALL
14	10577200+	Anti-rotation bracket - DISCONTINUED	N/A
15	10419200+	Mounting bracket assembly	CALL
16	R0469800	Burner, main	CALL
17	L0052200+	Burner Manifold - 125	CALL
17	L0006300+	Burner Manifold - 175	CALL
17	L0006400+	Burner Manifold - 250	CALL
17	L0006500+	Burner Manifold - 325	CALL
17	L0006600+	Burner Manifold - 400	167.04
ELECTRICAL SYSTEM			
18	R0058200	Temperature control assy - LG	CALL
19	R0058000	Wire harness	CALL
21	R0099800	On-off switch	CALL
22	H0201100	Temperature control label	CALL
23	R0011700	Temperature control assy - LD	CALL
24	R0058100	Wire harness assy	CALL
N/S	R0325900	Wire harness set complete. R-kit	CALL
26	R0099900	Knob, single bar	CALL

Item #	Part No.	Description	List Price
Note - #'s 27-36 are for both R582 & R117			
27	R0011800	Temperature sensor	122.36
28	10444900+	Protector sleeve, bulb	CALL
	10462200+	Retainer clip	CALL
29	R0456600	O-ring, temperature control bulb	CALL
30	R0010700	Thermostat knob, black	CALL
31	10583100+	Temp-Lok stop plate (not shown)	CALL
32	R0318800	Temperature control gasket	CALL
33	S0069800+	Bezel	CALL
N/S	R0474600	Stop plate screw	CALL
35	10447300+	Retainer bracket	CALL
36	F0009100+	Retainer bracket screw	CALL
37	***	Pressure switch and siphon loop	N/A
38	R0013200	Pressure switch, 2 PSI	105.20
38	R0015500	Pressure switch, 1-10 PSI	CALL
39	R0057800	Siphon loop assy	CALL
N/S	10654300	Salt siphon loop tube	N/A
41	R0023200	High limit switch assy	110.20
42	R0022700	High limit switch - 135°	45.00
43	R0023000	High limit switch - 150°	45.00
44	R0532100	High limit switch retainer clip	CALL
45	10419300+	High limit switch retainer boot	CALL
46	10418300+	High limit switch retainer cover	CALL
47	10419300+	High limit switch retainer wire harness	CALL
48	R0012200	Fusible link assy	15.00
49	10479900+	Fusible link bracket	CALL
50	R0097800	Terminal block	CALL
51	R0317500	Ignition control assy - LD	CALL
52	R0408100	Ignition control - LD	601.16
53	R0059800	Harness assy	CALL
54	R0061100	Transformer (115v - 220V/24V)	CALL
55	10451200+	Ignition control panel	CALL
56	10480000+	In-line fuse assy	CALL
VENT SYSTEM			
57	R0343401-05	Top enclosure 125 - 400	CALL
58	R0343701-05	Top filler 125 - 400	CALL
59	R0318301-05	Rainshield kit 125 - 400	CALL
62	R0316401-05	Flue collector assy 125 - 400	CALL
63	10561501-05	Outdoor vent cap 125 - 400	CALL
64	10561401-05	Indoor draft hood 125 - 400	CALL
N/S	10861901-05	Flue transition plate 125 - 400	CALL
N/S	R0449701-05	Adapter plate 125 - 400	CALL
67	R0532300	Clip	CALL



JANDY LITE HEATER (LD, LG) PARTS

Item #	Part No.	Description	List Price
WATER SYSTEM			
68	R0056400	Inlet/outlet header 2"	662.58
68	R0016800	Inlet/outlet header, bronze 2"	CALL
69	R0058300	Return header	220.00
69	R0054600	Return header, bronze	CALL
70	R0057000	Header bolt assy	CALL
72	F0011100+	Washer for headers	CALL
73	F0003100+	Nut for headers	CALL
74	R0050800	Header gasket assy (set of 18)	28.46
75	R0055000	Flange & gasket assy (Note 3)	CALL
76	10573500+	Flange 2"	CALL
77	S0078000	Flange gasket 2"	CALL
78	S0078200+	Flange sleeve 2"	13.40
79	F0031700	Flange bolt	CALL
80	S0078100+	Flange gasket, 1-1/2" - 2"	CALL
	R0205200	Adapter, 2" CPVC nipple	CALL
81	R0616300	Grommet for drain plug	CALL
82	R0460300	Grommet, slitted	CALL
83	S0098700	Hole plug	CALL
84	P0026800+	Drain plug	CALL
85	P0018500	Drain plug bushing	CALL
86	P0027000+	Blass plug 3/4"	CALL
87	R0054900	Bypass assy	CALL

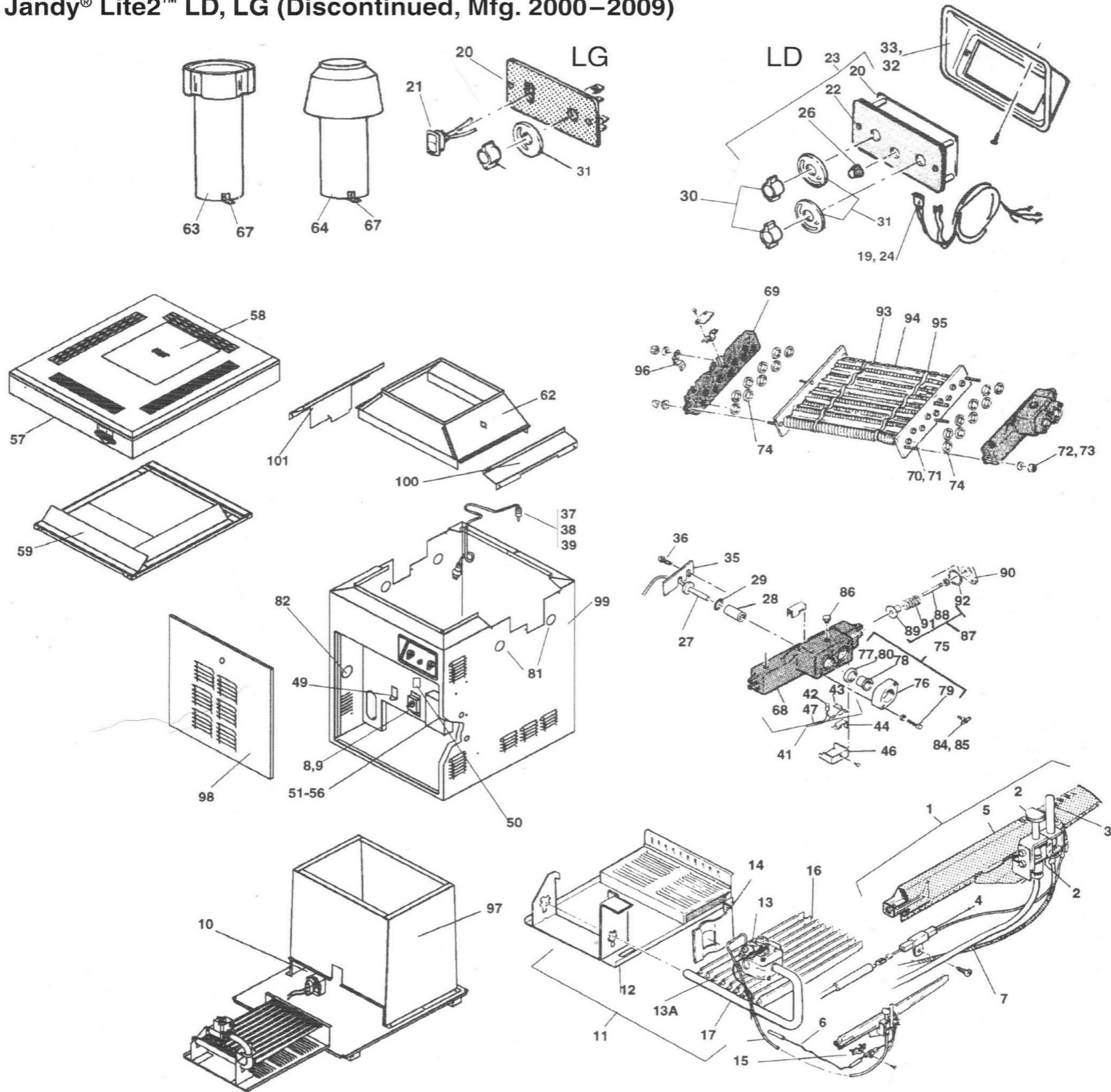
Item #	Part No.	Description	List Price
88	R0391800	Bypass valve rod	CALL
89	R0011500	Bypass valve disc	CALL
90	R0054900	Bypass valve control cap	CALL
91	S0079900+	Bypass valve spring, purple, 125	CALL
91	S0061400+	Bypass valve spring, white, 175	CALL
91	S0061300+	Bypass valve spring, red, 250	CALL
91	S0061200+	Bypass valve spring, blue, 325	CALL
91	S0070100+	Bypass valve spring, black, 400	CALL
92	R0011400	Bypass valve gasket	CALL
93	R0018101-05	Heat exchanger tube assy 125 - 400	CALL
94	10697401-05+	Heat exchanger baffle (8 req) 125 - 400	CALL
95	S0083900+	Baffle retainer	CALL
96	***	Heat exchanger support clip (Note 4)	N/A
FIREBOX COMPONENTS			
97	R0316701-05	Complete chamber assy 125 - 400	CALL
JACKET COMPONENTS			
98	R0343601-05	Door w/latch 125 - 400	CALL
99	R0343501-05	Jacket assy, less top assy	CALL
100	R0344300	Gap closure, inlet/outlet	CALL
101	R0344400	Gap closure, return	CALL
102	10462200	Retainer clip	CALL
N/S	10521701-05	Noncombustible base 125 - 400	CALL
N/S	R0040400	Pressure relief valve 3/4" NPT, 75 PSI	CALL

NOTES:

1. For altitudes above 2,000 ft, call for correct orifice
 2. Two included in assembly
 3. For shipping only
- N/S - Not Shown
N/A - Not Available

JANDY Lite2 (LD, LG) HEATER PARTS

Jandy® Lite2™ LD, LG (Discontinued, Mfg. 2000–2009)





JANDY LX/LT Low Nox (2003-2007) PARTS

Item #	Part No.	Description	List Price	Item #	Part No.	Description	List Price
WATER COMPONENTS				ELECTRICAL			
1	R0326303, -05	Complete heat exchanger, Cu, 250, 400	CALL	25	R0061100	Transformer	81.76
1	R0395703, -05	Complete bronze heat exchanger, Cu, 250, 400	CALL	N/S	R0337100	Flue assembly, in-line	CALL
1	R00395803, -05	ASME heat exchanger tube assy 250, 400	CALL	27	R030200	Blower pressure switch	138.06
2	R0395708, -10	Bronze heat exchanger, CuNi, complete, 250, 400	CALL	28	R0011800	Temperature sensor w/sleeve & gasket	122.36
3	R0334403, -05	Heat exchanger baffles (set 10) 250, 400	CALL	29	R0456600	Gasket, temperature sensor	CALL
4	R0326900	Front header w/hardware & gaskets	880.10	30	10444900	Plastic sleeve, temperature sensor	CALL
5	R0327100	Bypass assy w/hardware & gaskets	73.00	31	10447300	Retainer bracker, temperature sensor	CALL
6	R0336700	Bypass gasket assy	CALL	32	F0009100	Screw, retainer bracket	CALL
7	R0327200	Spring, bypass	CALL	33	R0386800	Ignition control	478.78
8	R0327300	Coupling nut kit w/gasket (set 2)	66.88	35	R0013200	Pressure switch, 2 PSI	105.20
9	R0327400	Gasket, coupling (set 2)	CALL	36	R0334600	Siphon loop	CALL
10	R0327000	Rear header w/hardware & gaskets	252.00	37	R0023200	High limits set	110.22
11	R0327500	Gasket, header, front or rear	32.20	38	R0022700	High limit 135°F	45.00
12	R0335900	Header drain plug w/gasket (set 3)	CALL	39	R0023000	High limit 150°F	45.00
N/S	R0327600	Heat exchanger hardware kit & gaskets	CALL	40	R0334700	Harness, high limit switch	52.42
GAS COMPONENTS				41	R0336500	Retainer plates, high limit (set 2)	CALL
14	R0386203, -05	Burner tray assembly, Natural	CALL	42	R0386900	Hot surface ignitor	145.00
14	R0394503, -05	Burner tray assembly, LP	CALL	43	R0329400	Exhaust temperature limit switch	26.98
15	R0386400	Burners (Ea.)	77.42	N/S	R0397600	Wire harness set, complete	CALL
16**	R0395003, -05	Gas manifold, Natural	CALL	N/S	R0330900	Wire harness, power transmitter	CALL
16**	R0394106, -05	Gas manifold, LP	CALL	N/S	R0369500	Wire harness with PCB	136.00
17	R0386600	Gas valve w/ street elbow, Natural	CALL	N/S	R0331000	Wire harness, ignition control	CALL
17	R0336900	Gas valve w/ street elbow, LP	CALL	N/S	R0331100	Wire harness, gas valve	CALL
EXHAUST SYSTEM				N/S	R0331200	Wire harness, safety loop	CALL
18	R0386703, -05	Flue Collector, 250, 400	CALL	49	R0397500	Power distribution circuit board	227.92
19	R0329800	Blower assembly	784.00	50	R0097800	Terminal block for fireman's switch	CALL
20	R0329900	Blower mounting hardware	CALL	51	R0329600	Temperature control w/bezel, gasket & cover - LX only	CALL
21	R0331500	Flue vent assembly	CALL	N/S	R0350500	Temperature control w/bezel, gasket & cover - LT only	990.24
22	R0331403, 05	Indoor vent collar, 250, 400	CALL	52	R0330600	Cover, temperature control	CALL
23	R0328500	Outdoor grill	CALL	53	R0387600	Gasket, temperature control / top	CALL
N/S	R0331600	Vent hardware kit	CALL	54	R0387000	Flame, sense rod	57.00
				55	R0012200	Fusible link	15.00
				56	R0337200	Bracket, fusible link	CALL



JANDY LX/LT Low Nox (2003-2007) PARTS

Item #	Part No.	Description	List Price
JACKET COMPONENTS			
57	R0387103, -05	Door w/ latch, 250, 400	CALL
58	R0334900	Door latch assy w/ handle	CALL
59	R0335103, -05	Cover panel, raceway, 250, 400	CALL
60	R0330100	Panel, side, lower, (left or right)	CALL
61	R0330200	Panel right side, upper	CALL
62	R0336600	Cover panel, exhaust switch	CALL
63	R0335200	Panel left side, upper	CALL
64	R0335300	Cover plate, I/O header side	CALL
65	R0335400	Cover plate, return header side	CALL
66	R0335500	Cover plate, left side	CALL
67	R0330303, -05	Rear panel, 250, 400	CALL
68	R0330400	Corner posts	CALL
69	R0330503, -05	Top assembly, 250, 400	CALL
70	R0387203, -05	Combustion chamber assembly	CALL
71	R0335608	Base panel, 250, 400	CALL

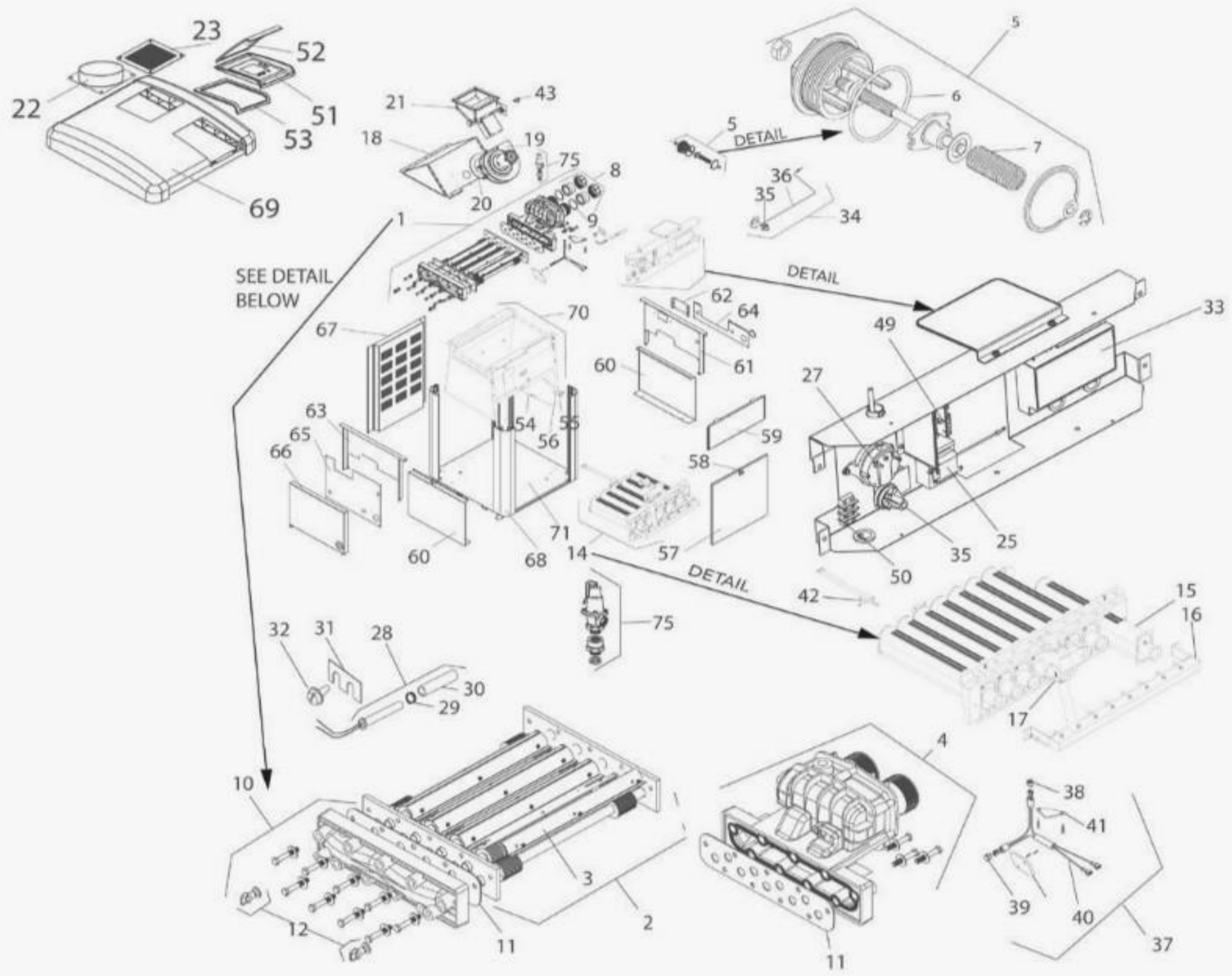
Item #	Part No.	Description	List Price
OPTIONAL			
N/S	R0330803, -05	Noncombustible base 250, 400	CALL
N/S	R0335800	Touch-up paint	N/A
N/S	R0336000	Temperature rise measurement kit	CALL
75	R0336100	Pressure relief valve	72.02
N/S	R0382800	High temp silicone sealant	N/A
For heaters built before January 2004, please use the following wire harness part numbers			
	R0329500	Wire harness, complete	CALL
	R0330900	Wire harness, power transformer	CALL
	R0331000	Wire harness, ignition control	CALL
	R0331100	Wire harness, gas valve	CALL
	R0331200	Wire harness, safety loop	CALL
	R0663200	Wire harness, 120 VAC power plug	CALL
	R0336300	Wire harness, 240 VAC power plug	CALL
	R0336400	Wire harness, 15-pin connector	CALL

NOTES:

1. All hardware sets contain all pieces necessary for assembly, including gaskets
 2. Gaskets and hardware are included in all kits that involve removal of a gasket as part of the procedure to replace a part
- N/S - Not Shown
 N/A - Not Available
 ** Manifold kit includes orifices but does not include gas valve

JANDY LX/LT Low Nox (1999-2003) HEATER PARTS

Jandy® LX™/LT™ Low NOx (Discontinued, Mfg. 2003–2007)





JANDY LX/LT (1999-2003) PARTS

Item #	Part No.	Description	List Price
WATER COMPONENTS			
1	R0326303, -05	Complete heat exchanger, Cu, 250, 400	CALL
1	R0395703, -05	Complete bronze heat exchanger, Cu, 250, 400	CALL
1	R00395803, -05	ASME heat exchanger tube assy 250, 400	CALL
2	R0395708, -10	Bronze heat exchanger, CuNi, complete, 250, 400	CALL
3	R0334403, -05	Heat exchanger baffles (set 10) 250, 400	CALL
4	R0326900	Front header w/ hardware & gaskets	880.10
5	R0327000	Rear header w/hardware & gaskets	252.00
6	R0327100	Bypass assy w/hardware & gaskets	73.00
7	R0336700	Bypass gasket assy	CALL
8	R0327200	Spring, bypass	CALL
9	R0327300	Coupling nut kit w/gasket (set 2)	66.88
10	R0337600	O-rings header coupling	CALL
11	R0327500	Gasket, header, front or rear	32.20
12	R0335900	Header drain plug w/gasket (set 3)	CALL
N/S	R0327600	Heat exchanger hardware kit & gaskets	CALL
GAS COMPONENTS			
14	R0327703, 05	Burner, tray weldment, 250, 400	CALL
15	R0469800	Burners (Ea.)	CALL
16	R0395003, -05	Gas manifold, Natural	CALL
16	R0394106, -05	Gas manifold, LP	CALL
17	R0327900	Orifice, Natural (set 20)	CALL
17	R0328200	Orifice, LP (set 20)	CALL
18	R0331800	Anti-rotation bracket	CALL
19	R0335900	Gas valve w/street elbow, Natural	CALL
19	R0336900	Gas valve w/street elbow, LP	CALL
EXHAUST SYSTEM			
20	R0331703, 05	Flue Collector, 250, 400	CALL
21	R0329800	Blower assembly	784.00
N/S	Q0078800	Blower tube (by ft.)	CALL
22	R0329900	Blower mounting hardware	CALL
23	R0331500	Flue vent assembly	CALL
24	R0331403, 05	Indoor vent collar, 250, 400	CALL
25	R0328500	Outdoor grill	CALL
N/S	R0331600	Vent hardware kit	CALL

Item #	Part No.	Description	List Price
ELECTRICAL			
27	R0061100	Transformer	81.76
N/S	R0337100	Flue assembly, in-line	CALL
29	R030200	Blower pressure switch	138.06
30	R0011800	Temperature sensor w/sleeve & gasket	122.36
31	R0456600	Gasket, temperature sensor	CALL
32	10444900	Plastic sleeve, temperature sensor	CALL
33	10447300	Retainer bracket, temperature sensor	CALL
34	F0009100	Screw, retainer bracket	CALL
35	R0408100	Ignition control	601.16
37	R0013200	Pressure switch, 2 PSI	105.20
38	R0334600	Siphon loop	CALL
N/S	R0327600	Fitting for siphon loop tube	CALL
39	R0023200	High limits set	110.20
40	R0022700	High limit 135°F	45.00
41	R0023000	High limit 150°F	45.00
N/S	R0383200	Hi-limit insert, set of 3, brass	CALL
42	R0334700	Harness, high limit switch	52.42
43	R0336500	Retainer plates, high limit (set 2)	CALL
44	R0337000	Hot surface ignitor	CALL
45	R0329400	Exhaust temperature limit switch	26.98
N/S	R0329500	Wire harness, complete	CALL
N/S	R0330900	Wire harness, power transformer	CALL
N/S	R0331000	Wire harness, ignition control	CALL
N/S	R0331100	Wire harness, gas valve	CALL
N/S	R0331200	Wireharness, safety loop	CALL
51	R0663200	Wire harness, 120 VAC power plug	CALL
51	R0336300	Wire harness, 240 VAC power plug	CALL
52	R0336400	Wire harness, 15-pin connector	CALL
53	R0097800	Terminal block for fireman's switch	CALL
54	R0329600	Temperature control w/bezel	CALL
N/S	R0350500	Temperature control w/bezel, gasket & cover - LT only	990.24
N/S	R0387600	Gasket, temp control R-kit	CALL
55	R0334800	Flame, sense rod	CALL
56	R0012200	Fusible link	15.00

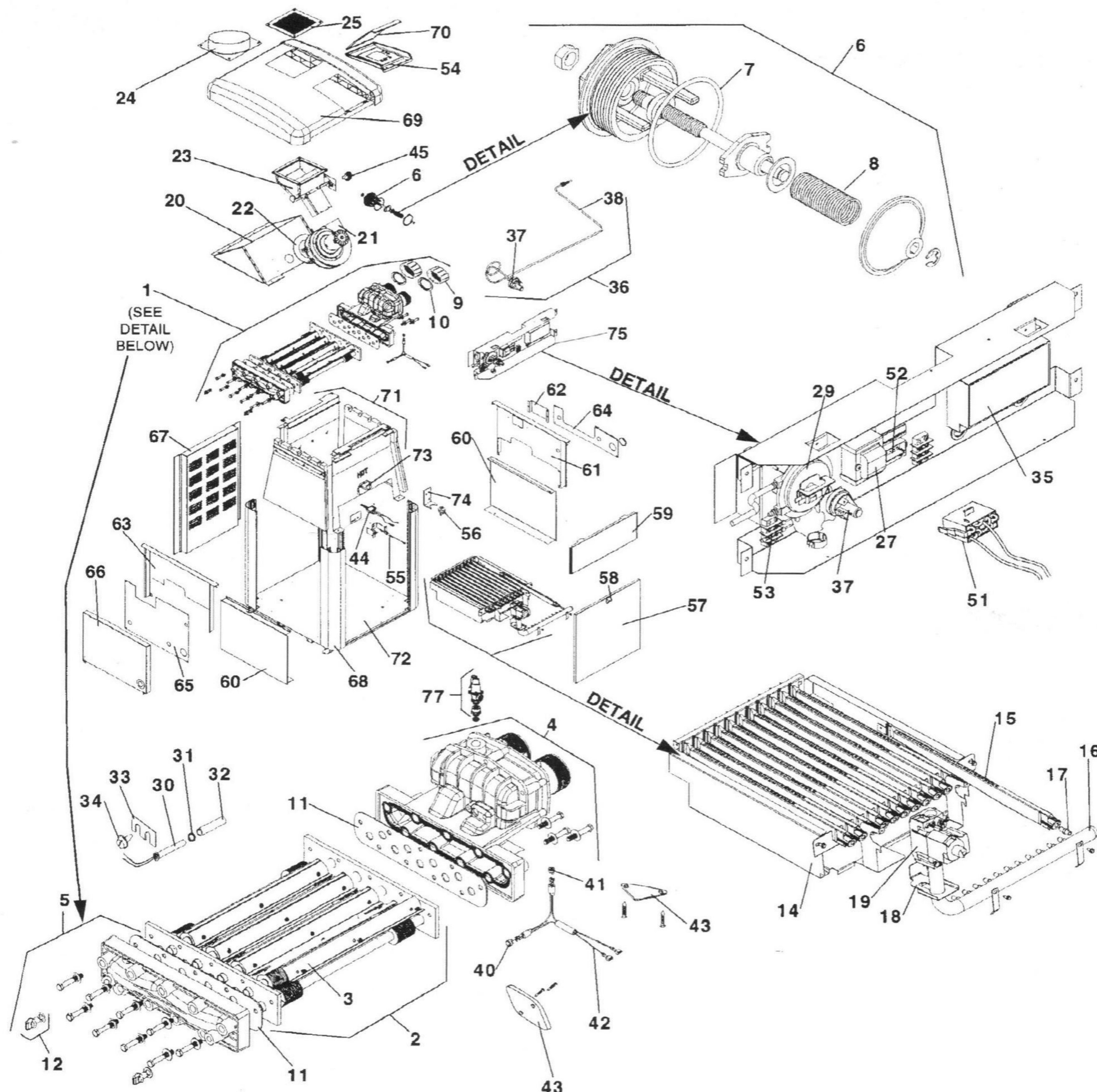


JANDY LX/LT (1999-2003) PARTS

Item #	Part No.	Description	List Price
JACKET COMPONENTS			
57	R0330003, -05	Door w/ latch, 250, 400	CALL
58	R0334900	Door latch assy w/ handle	CALL
59	R0335103, -05	Cover panel, raceway, 250, 400	CALL
60	R0330100	Panel, side, lower, (left or right)	CALL
61	R0330200	Panel right side, upper	CALL
62	R0336600	Cover panel, exhaust switch	CALL
63	R0335200	Panel left side, upper	CALL
64	R0335300	Cover plate, I/O header side	CALL
65	R0335400	Cover plate, return header side	CALL
66	R0335500	Cover plate, left side	CALL
67	R0330303, -05	Rear panel, 250, 400	CALL
68	R0330400	Corner posts	CALL

Item #	Part No.	Description	List Price
69	R0330503, -05	Top assembly, 250, 400	CALL
70	R0330600	Cover, temperature control	CALL
71	R0330703, -05	Combustion chamber assembly	CALL
72	R0335603, -05	Base Panel 250, 400	CALL
73	R0335700	Igniter box assy	CALL
74	R0337200	Bracket, fusible link	CALL
75	R0369500	Raceway circuit board	CALL
OPTIONAL			
N/S	R0330803, -05	Noncombustible base 250, 400	CALL
N/S	R0335800	Touch-up paint	N/A
N/S	R0336000	Temperature rise measurement kit	CALL
77	R0336100	Pressure relief valve	72.02
N/S	7727	Dual thermostat switch kit	CALL

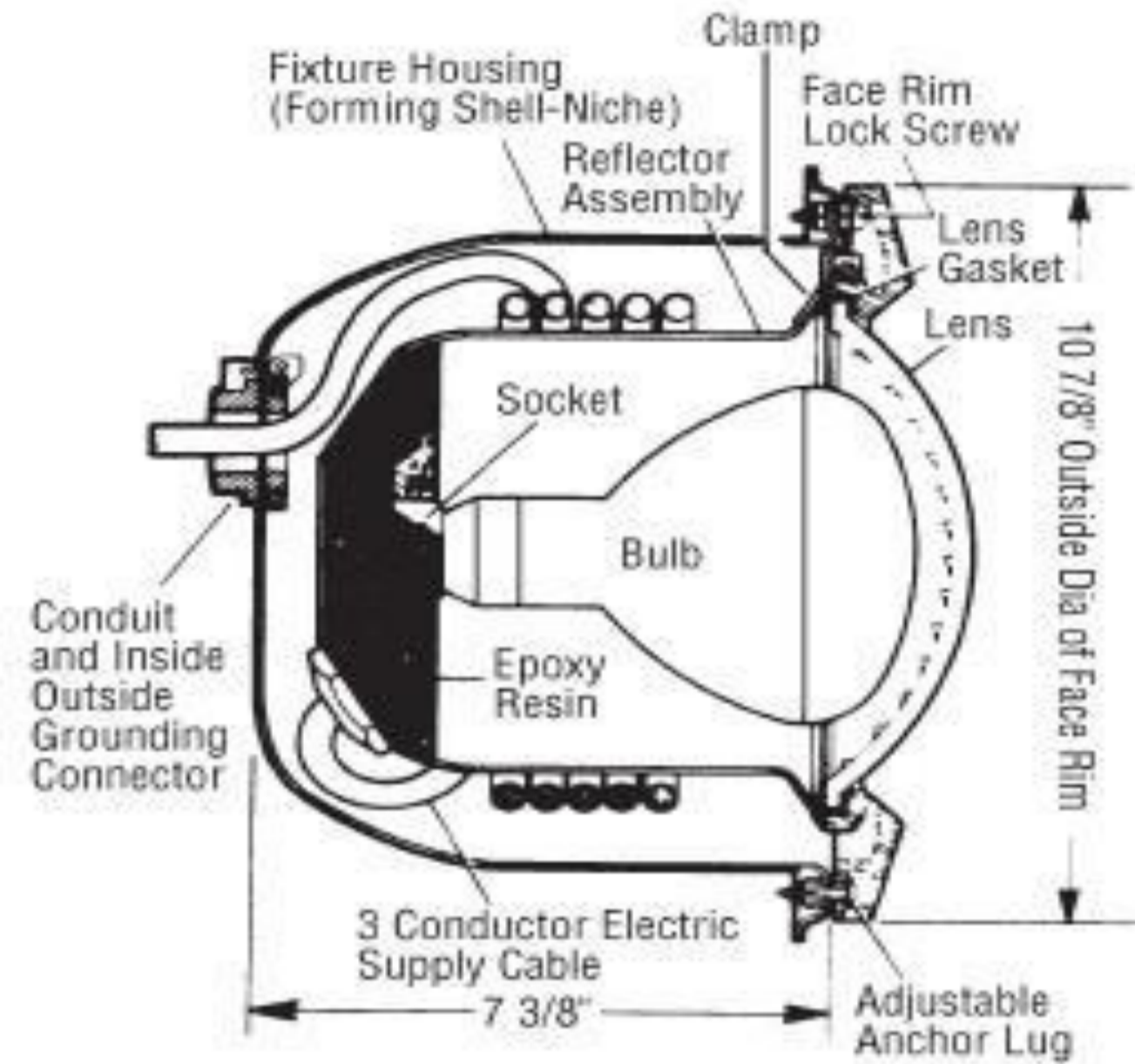
Jandy® LX™/LT™ (Discontinued, Mfg. 1999–2003)





HAYWARD LIGHT PARTS

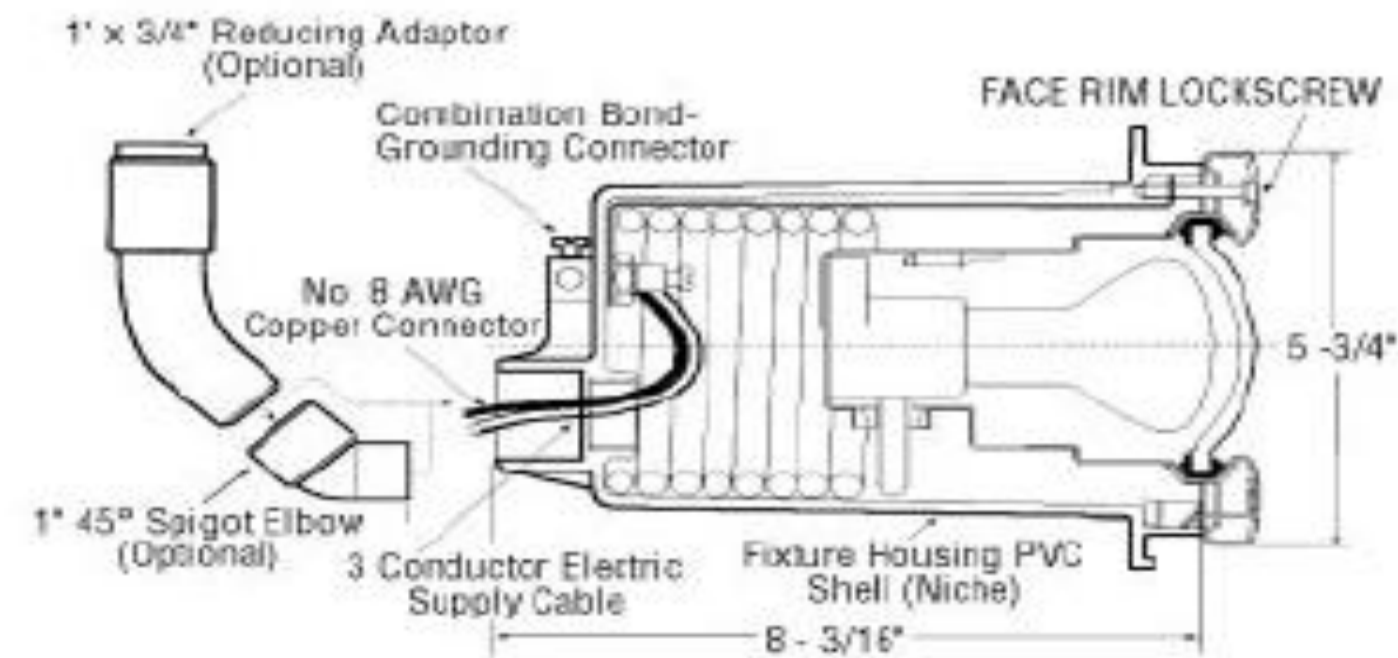
Duralite Series (SP0560, SP0570)		
Part No.	Description	List Price
SPX0580A1	Molded Face Plate (for 570 series with N suffix)	CALL
SPX0570A	Molded Face Rim with Integral Flange (Smooth)	CALL
SPX0560A*	Molded Face Rim with Integral Flange (Pattern) - replace with SPX0570A	DISC
SPX0540Z1	Lens, Clear	CALL
SPX0580Z2	Lens Gasket	30.16
SPX0580B	Clamp Assy w/ screw, nut & washer	30.16
SPX0560EA	Clamp Screw with Nut and Washer	CALL
SPX0555X2	Lower Mounting Screw	CALL
SPX0555Z3	Set Screw for Ground Connector	CALL
SPX0540Z4A	No. 10-24 Hex Nut w/washer for Face Rim Studs	CALL
SPX1392G10	Washer, pkg of 10	CALL
***	Light Bulb	CALL
SPX0540Z16A	Retainer Screw Set	13.54
SPX0540Z1B	Blue Lens	CALL



SP0560, SP0570, SP0580, SP0580S series

Astrolite Series (SP0580, SP0580S)		
Part No.	Description	List
SPX0580A	Molded Face Rim	CALL
SPX0580AS	Stainless Steel Face Rim	CALL
SPX0540Z1	Lens, Clear	CALL
SPX0580Z2	Lens Gasket	30.16
SPX0580B	Clamp Assy w/ screw, nut & washer (SP0580)	30.16
SPX0580BS	Clamp Assy w/ screw, nut & washer (SP0580S)	CALL
SPX0580Z3	Face Rim Lockscrew w/fastener (SP580S)	CALL
SPX0580Z1	Face Rim Lockscrew w/fastener (SP580)	CALL
SPX0555X2	Lower Mounting Screw	CALL
SPX0555Z3	Set Screw for Ground Connector	CALL
SPX0540Z4A	No. 10-24 Hex Nut w/washer for Face Rim Studs	CALL
SPX1392G10	Washer, pkg of 10	CALL
***	Light Bulb	CALL
SPX0540Z1B	Blue Lens	CALL

Astrolite II Series (SP0590S, SP0590HS)		
Part No.	Description	List Price
SPX0590A	Stainless Steel Face Rim	CALL
SPX0590E	Snap-On Plastic Face Rim	CALL
SPX0590Z1	Lens	CALL
SPX0590G	Lens Gasket	29.74
SPX0590Z2A	Face Rim Lockscrew w/fastener	CALL
***	Light Bulb	CALL
SPX0590K	Blue & Red replacement lens cover kit	CALL
SPX0608C	Face Ring Assembly	CALL
SPX0608G	Gasket	CALL
SPX0608CP	Cord Seal Kit	CALL

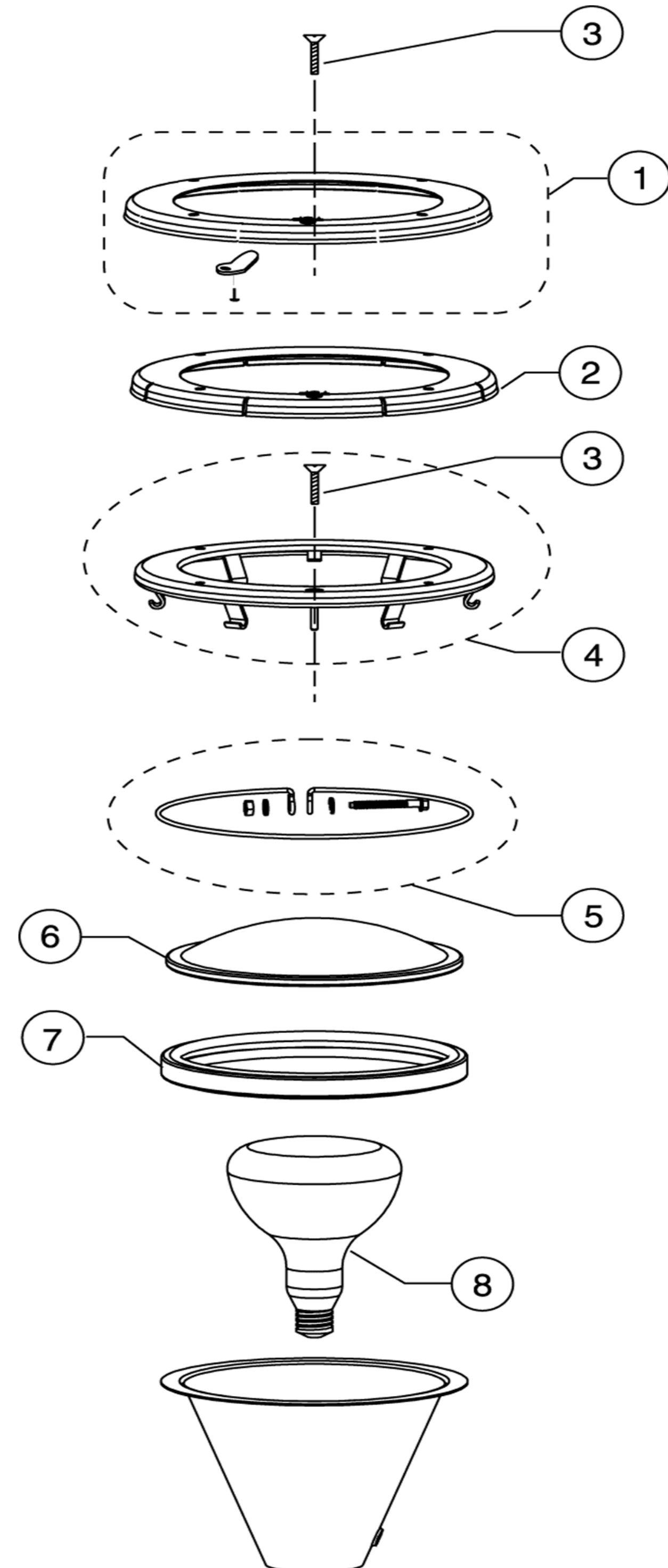


SP0590 SERIES



AMERLITE POOL LIGHT PARTS

Item #	Part No.	Description	List Price
2	79212100	Face ring, lg. plastic, white SS only	CALL
2	79212165	Face ring, lg. plastic, grey SS only	CALL
2	79212111	Face ring, lg. plastic, black SS only	CALL
3	79104800	Pilot screw with captive gum washer, brass	5.80
3	619355	Pilot screw with captive gum washer, SS	CALL
4	79110600	Face ring assembly, Stainless steel	90.84
5	79111000	Uni-tension wire clamp assembly	72.62
6	79100100	Lens, clear 8-3/8 in. dia., tempered	33.72
6	79100200	Lens, medium blue 8-3/8 in. dia., tempered	92.00
7	79101600	Gasket, 8-3/8 in. lens	27.50
8	79101800	Floodlamp, medium base, 100 watt, 12 Volt	CALL
8	79101900	Floodlamp, medium base, 300 watt, 12 Volt	CALL
8	79102100	Floodlamp, medium base, 500 watt, 120 Volt	CALL
8	79107600	Floodlamp, medium base, 300 watt, 120 Volt	CALL
8	79102200	Floodlamp, medium base, 400 watt, 120 Volt	CALL

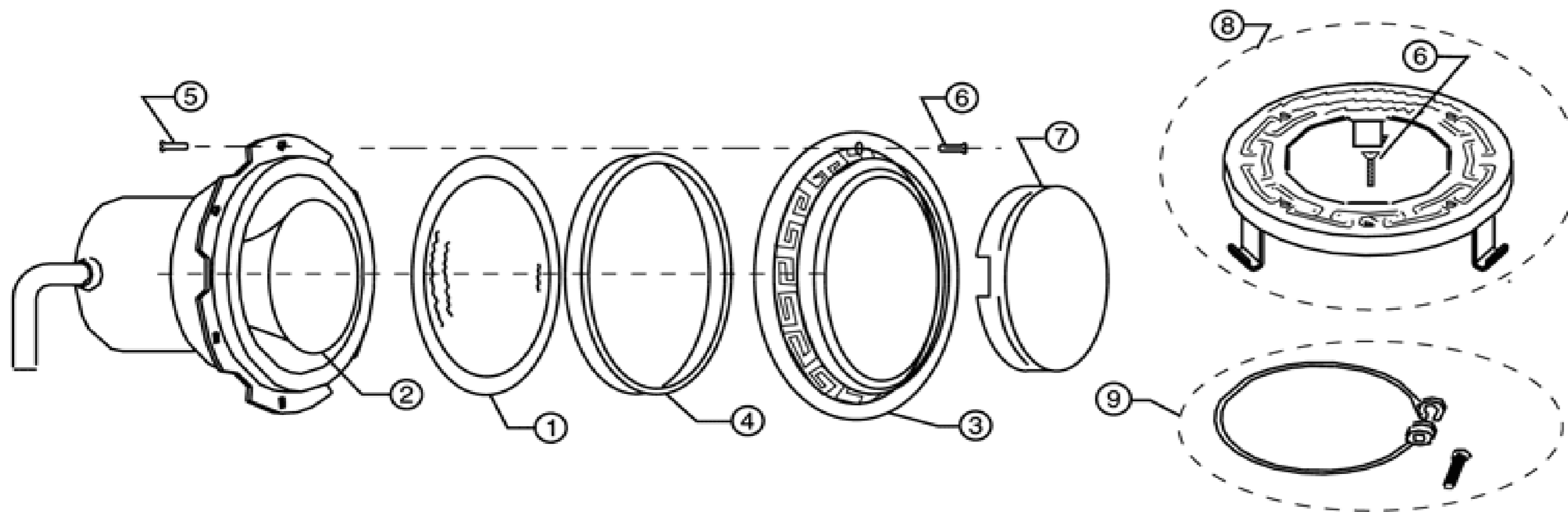




SPA BRITE / AQUALIGHT SPA LIGHT PARTS

Item #	Part No.	Description	List Price
1	79107800	Lens, clear, 4 in. dia., tempered	29.66
2	650139Z	Bulb, 60W Par 16 (100W equiv)	CALL
2	79108100	Floodlamp, med. base, 100 watt, 12 Volt, (SpaBrite)	CALL
2	79102900	100 watt Halogen Quartz screw base, (AquaLight) ²	CALL
2	79113800	250 watt Halogen Quartz screw base, (AquaLight) ²	CALL
2	79112400	Lamp, 75 watt, 12 volt, bi-pole, (AquaLight)	CALL
2	70517	Bulb, 100 watt, 120 Volt, bayonet, (AquaLight) ¹	CALL
2	79112700	Bulb, 250 watt, 120 Volt, bayonet, (AquaLight) ¹	CALL
4	79108500	Gasket lens, 4" dia. (SpaBrite)	15.90
4	79108600	Gasket, white, silicone 100 watt, 250 watt, (AquaLight)	39.32
5	98208600	Screw, SS 10-24 x 3/8 in., 6 req., chrome-brass	CALL
6	79104800	Pilot screw with captive gum washer, brass	5.90
6	619355	Pilot screw with captive gum washer, SS	CALL
7	79108900	Kwik-change color lens, red	7.90
7	79109000	Kwik-change color lens, blue	6.10
7	650015	Kwik-change color lens, magenta	CALL
7	650016	Kwik-change color lens, purple	CALL
7	650017	Kwik-change color lens, teal	CALL
7	650018	Kwik-change color lens, green	CALL
7	650019	Kwik-change color lens pack, 5 colors	CALL
8	79111600	Face ring assembly, SS	CALL
9	79210400	Uni-tension wire assembly SS w/welded nut	26.04

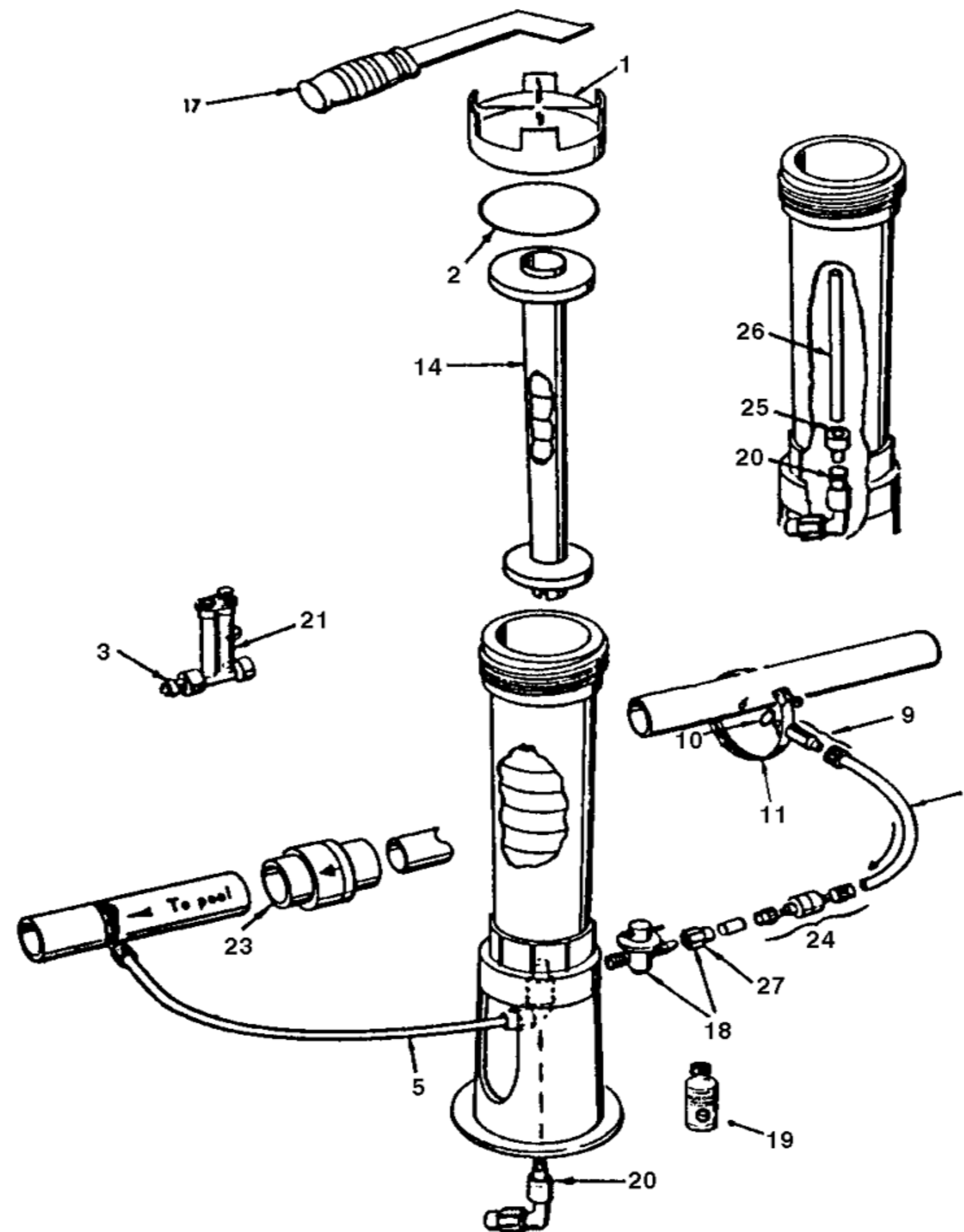
1: Used on lights manufactured after 5-91
 2: Used on lights manufactured after 1-98.





RAINBOW AUTOMATIC FEEDER MODEL 300, 302, 300-19, 300-29

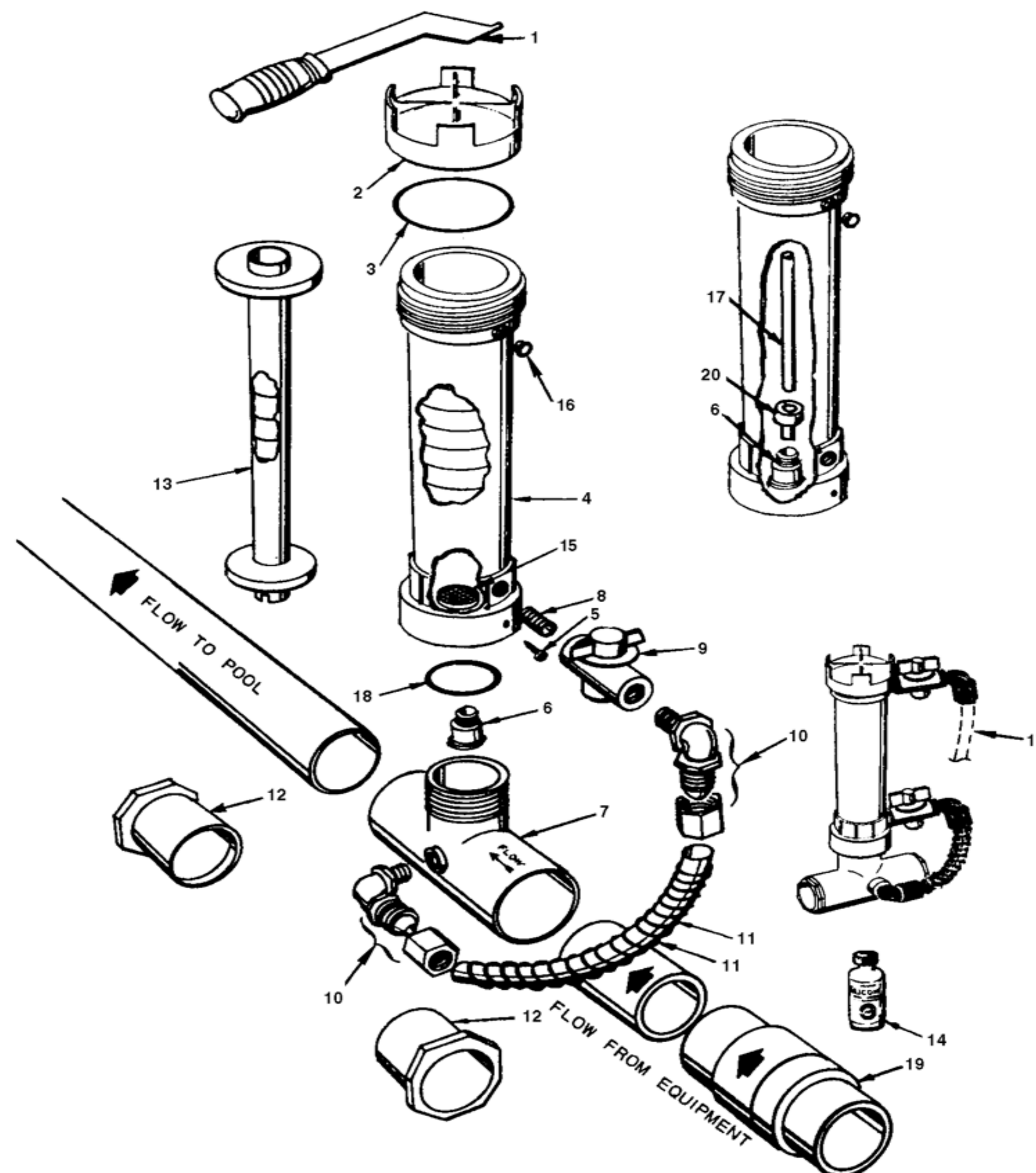
Item #	Part No.	Description	List Price
1	R172008W	3 in. threaded cap, white	19.50
2	R172009	O-ring, cap	CALL
3	R172020	Check valve Old Style (Optional)	CALL
5	R172023	3/8 in. o.d. x 1/4 in. i.d. tubing, 8 ft.	CALL
9	R172032	Tube fitting with compression nut	6.58
10	R172033	Gasket	2.20
11	R172034	Saddle clamp	CALL
14	R172037	Spa chamber #302 only	25.24
17	R172052	Cap wrench	CALL
18	R172060	Control valve 1/4 in. NPT x tube with compression nut	23.90
19	R172036	Silicone lubricant	CALL
20	R172061	Combination check valve / elbow	11.90
21	R172080	Flow indicator w/check valve	CALL
23	R172288	1 1/2 in. x 2 in. Corrosion resistant check valve	35.00
24	R172323	1/4 in. Corrosion resistant check valve	CALL
25	R172061B	Standpipe adapter, Bromine	CALL
26	R18761	6 in. Standpipe 3/8 in. o.d. x 1/4 in. i.d.	CALL
27	R18706	Compression nut only	2.90
	R172064	Parts Bag (Incl. Nos 9-11, 18-20)	49.50





RAINBOW AUTOMATIC FEEDER MODEL 320

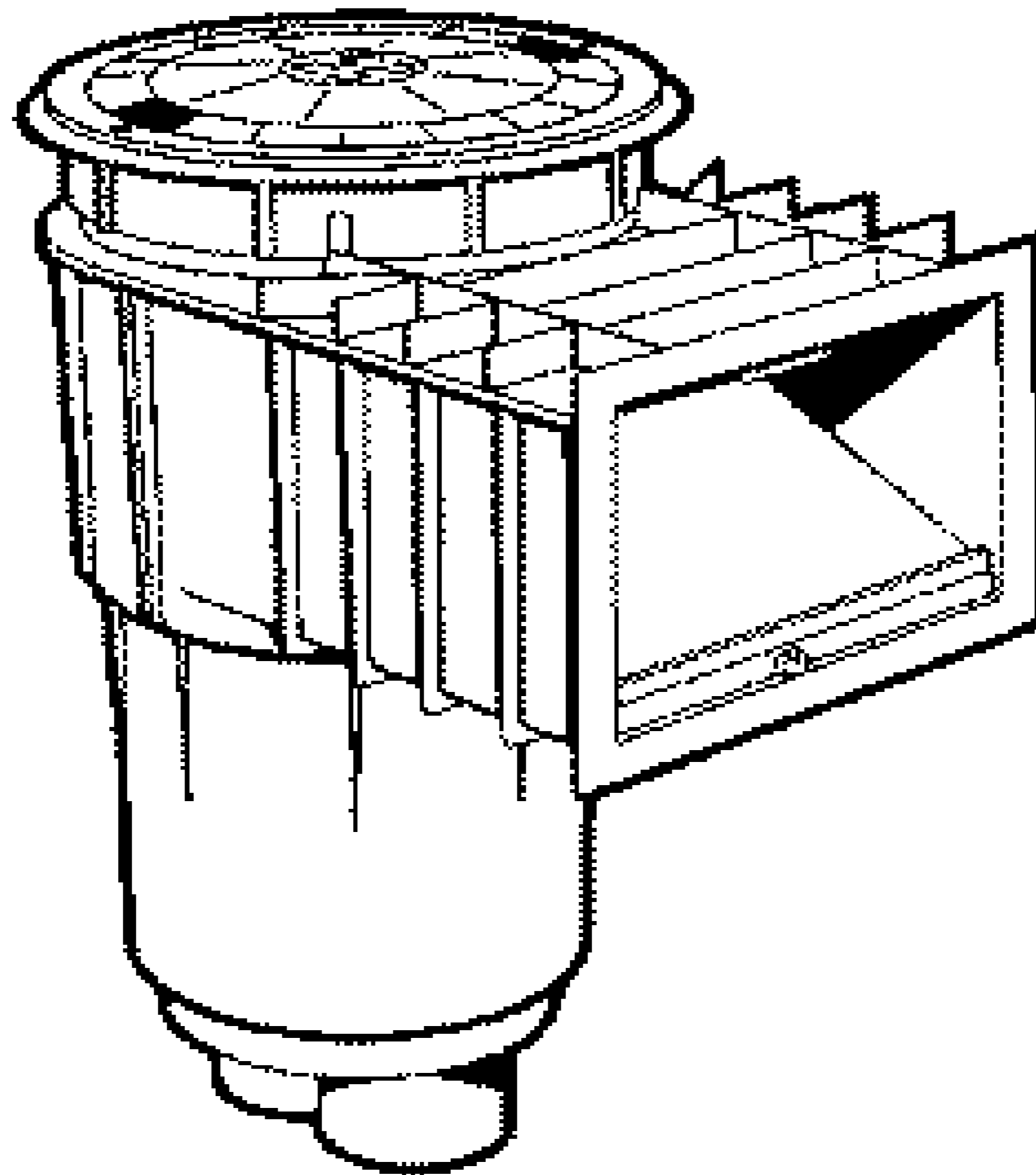
Item #	Part No.	Description	List Price
1	R172052	Cap wrench	CALL
2	R172008W	3 in. threaded cap, white	19.50
3	R172009	O-ring, cap	CALL
4	R172321	#320 Body only (new style)	CALL
5	R01052	Lock screw	CALL
6	R172248	Check valve	9.70
7	R172317	Diverter tee 1½ NPT x 2 in. slip x slip	27.00
8	R172256	½ in. x Short MPT nipple	5.80
9	R172086	½ in. Control valve	51.90
10	R172272	½ in. x 90° NPT x tube fitting with nut	7.90
10	R172274	Compression nut only (for R172272)	2.10
11	R172091	5/8 in. o.d. short feeder tube	CALL
11	R171097	Tube support spring	7.30
12	R172210	2 in. x 1-1/2 in. S x S bushing (for 1-1/2 in. PVC only) ¹	CALL
13	R172037	Spa chamber	25.24
14	R172036	Silicone lubricant 3/4 oz.	CALL
15	R172255	Screen	7.50
16	R172134	1/2 in. MPT PVC plug	CALL
17	R172253	5/8/2007 in. o.d. 18 in. tube (optional top feed)	CALL
18	R172319	Bottom O-ring	CALL
19	R172288	1½ in. x 2 in. Corrosion resistant check valve	35.00
20	R172048B	Standpipe adapter, Bromine	CALL





HAYWARD SP1070, 1071 SKIMMER PARTS

Part No.	Description	List Price
SPX1070Z3	Skimmer Cover Retaining Screw	CALL
SPX1070C	Skimmer Cover, White	28.50
SPX1070C10	Skimmer Cover, Tan	32.28
SPX1070B	Skimmer Adjusting Collar, White	20.50
SPX1070B10	Skimmer Adjusting Collar, Tan	CALL
ECX1019	Skimmer Adjusting Collar Screw	CALL
SPX1070KHR	Skimmer Weir Assembly w/ bumper pad - SP1070	30.10
SPX1071K	Skimmer Weir assembly w/ bumper pad - SP1071	CALL
SPX1070E	Skimmer B-9 Basket, large	15.06
SPX1082H1B	Flo-Control Slide Plate w/Screw	CALL
SPX1070Z6	Retaining Screw	CALL
SP1070FV	Float Valve Assembly	CALL
SPX1070FA	Flo-Control Trimmer Plate w/Screw	CALL



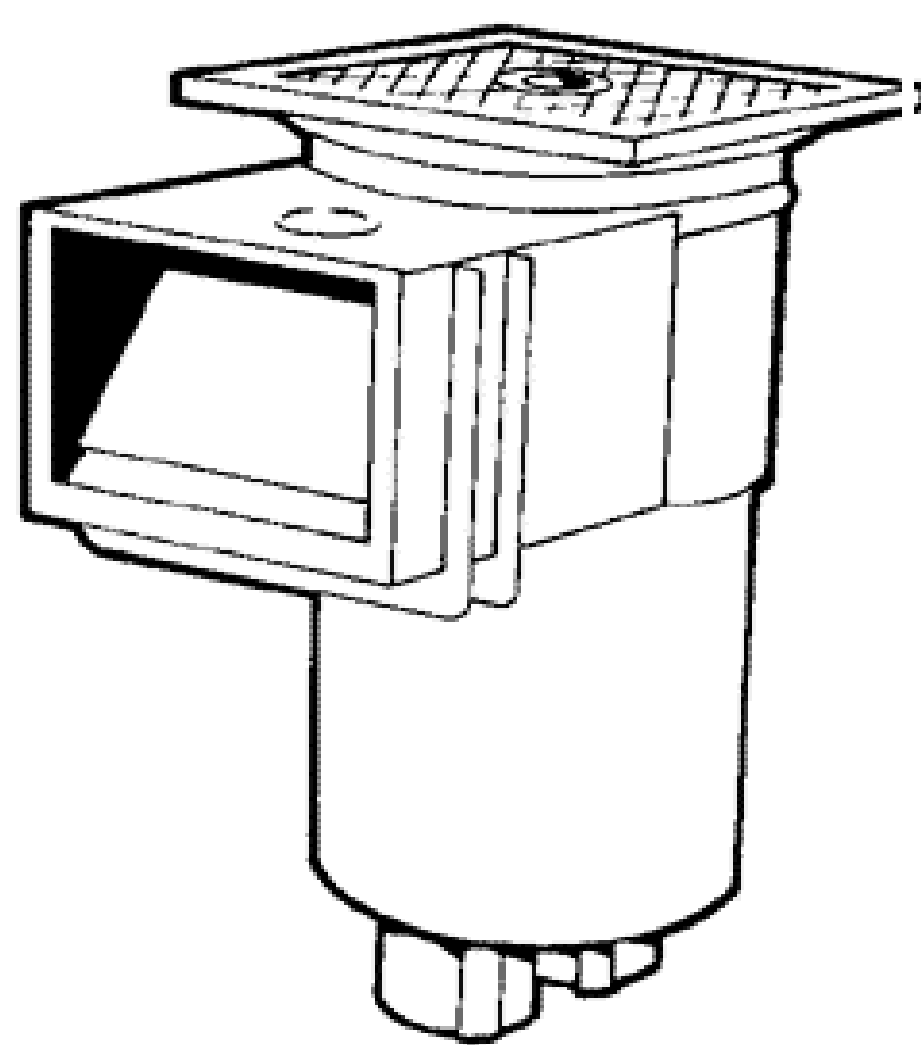
SP-1070



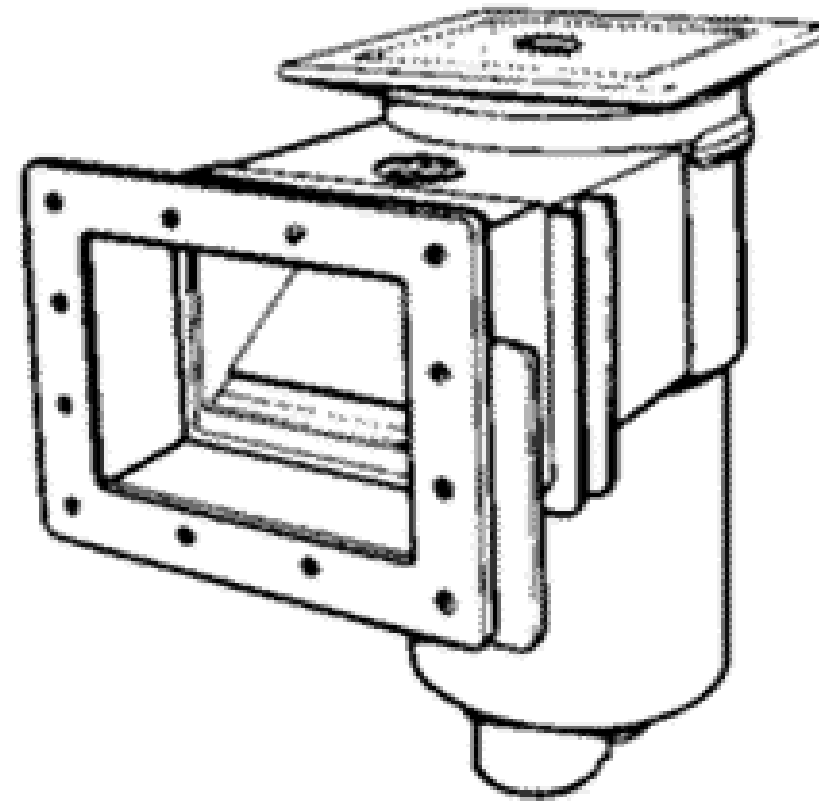
HAYWARD SP1082, 1083, 1084, 1085, 1086 SKIMMER PARTS

Part No.	Description	List Price
SPX1082E	Skimmer Cover, Square - WHITE	CALL
SPX1082EBLK	Skimmer Cover, Square - BLACK	CALL
SPX1082EGR	Skimmer Cover, Square - GREY	CALL
SPX1082Z1	Cover Screw (Square Cover)	CALL
SPX1082F	Adjusting Collar	CALL
SPX1084R	Cover, Skimmer Round	CALL
SPX1084Z9	Cover Screw (Round Cover)	CALL
SPX1084P	Adjusting Collar	CALL
SPX1082CA	Skimmer Basket, small	CALL
SPX1082D	Skimmer Basket Support Ring	8.50
SPX1082K	Skimmer Weir (SF-400)	CALL
SPX1082H1A	Slide Plate with Screw	CALL
SPX102Z210	Fiber Washer Retainer - for cover screw - NO LONGER AVAILABLE	NLA
SPX1082Z3	Vacuum Hose Adapter	CALL
SPX1053Z1	2" Pipe Plug	CALL
SPX1082Z2	2" x 1 1/2" Reducing Bushing	CALL
SPX1084L	Face Plate (SF-400)	CALL

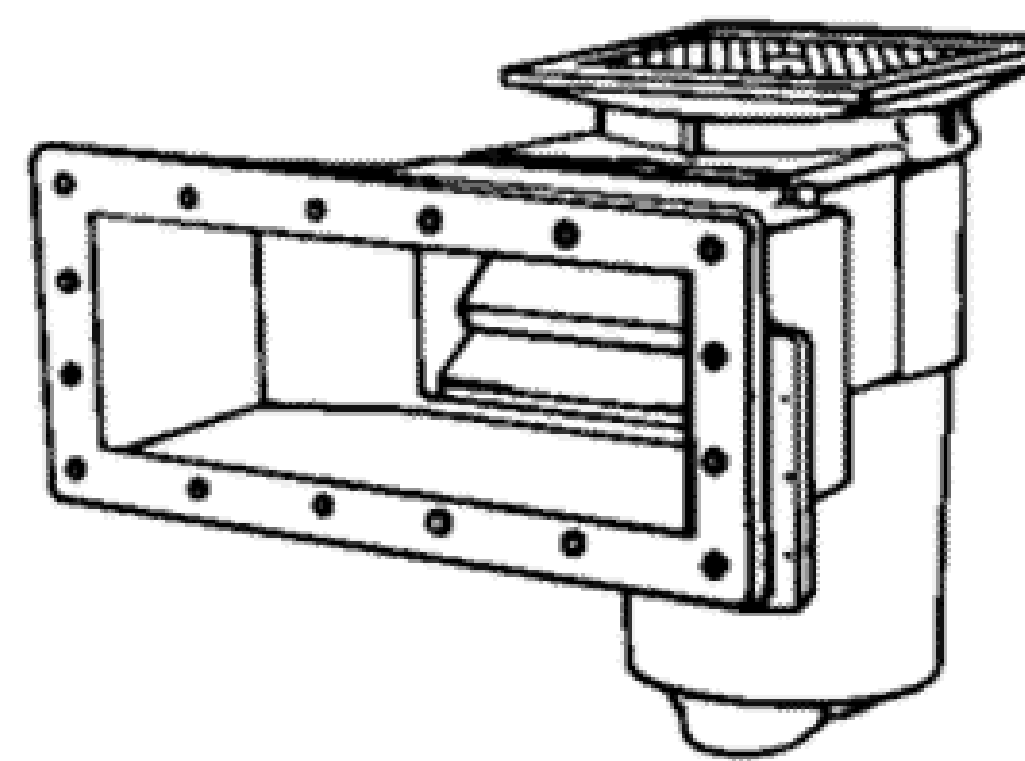
Part No.	Description	List Price
SPX1085B	Face Plate, (SP-1085)	CALL
SPX1084B	Gasket (SF-400)	CALL
SPX1085D	Widemouth Skimmer Gasket 16 Hole, Rubber	CALL
SPX1084C	Skimmer Spacer (SP-1084)	CALL
SPX1084Z1A	Face Plate Screw Set (SP-1084)	CALL
SPX1084Z4A	Screw Set (SF-400)	CALL
SPX1084Z4AM	Face Plate Screw Set - 1 1/4" long (Self-Tapping)	CALL
SPX1085Z1A	Face Plate Screw Set (Self-Tapping) (SP-1085)	CALL
SPX1085Z1AM	Face Plate Screw Set - 1 1/4" long (Self-Tapping)	CALL
SPX1084D2	Securing Tabs (2) - SP-1084-OM, SP-1085-OM	CALL
SPX1084B3	Gasket - SP-1084-OM	CALL
SPX1085D2	Gasket - SP-1085-OM	CALL
SPX1080EA	Skimmer Basket with Sleeve	CALL
SPX1080AA	Flo-Selector Control with Valve	CALL
SPX1080F	2" Skim / MD Connector Pipe - NO LONGER AVAILABLE	CALL
SPX1080D	Haywood Skimmer Throttling Plate	CALL
SPX1084KA	Turbo Boost Valve Assembly	CALL



SP-1082



**SP-1084
SP-1086**



SP-1085-1

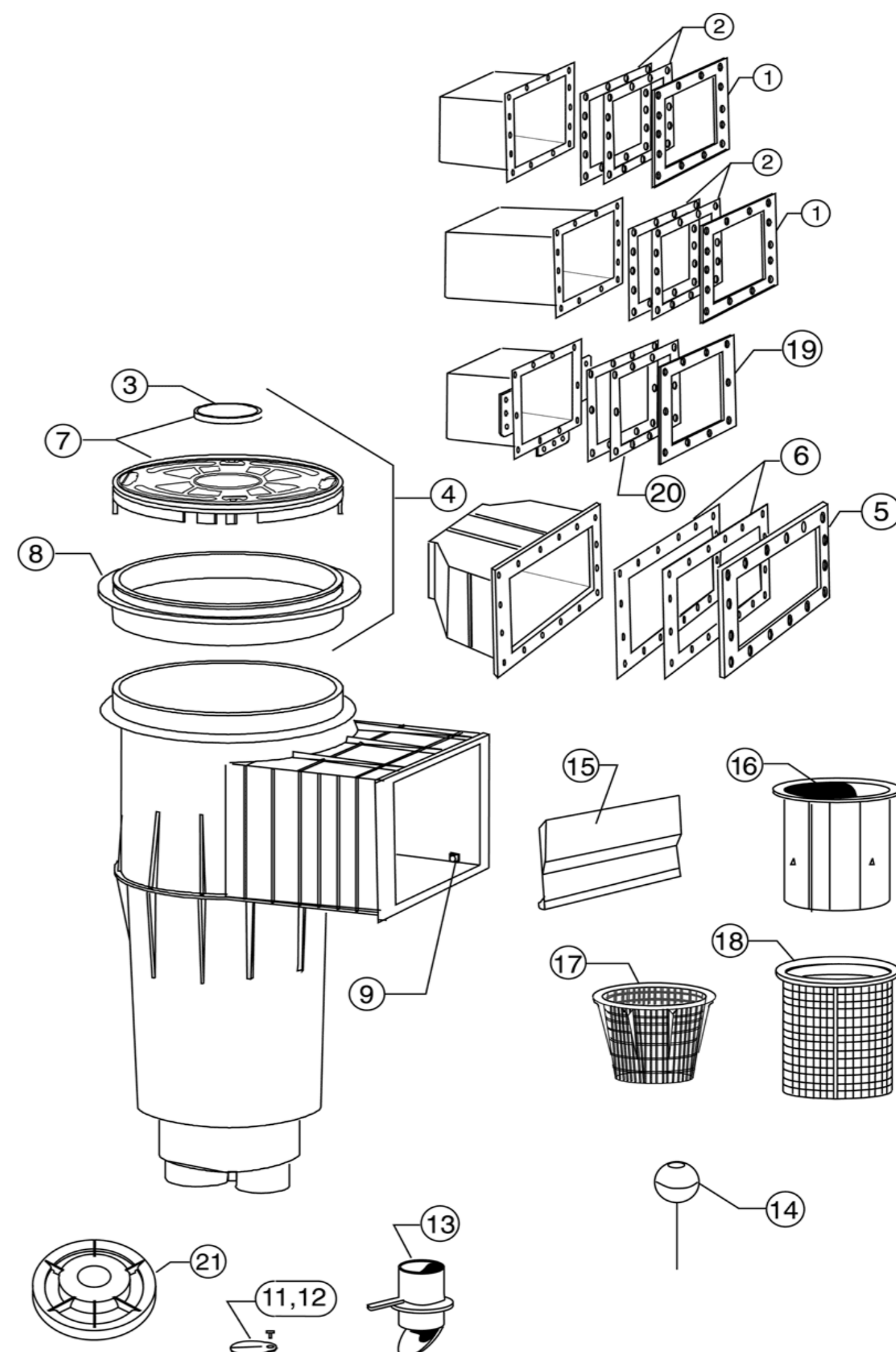


AMERICAN ADMIRAL SKIMMER PARTS

Item #	Part No.	Description	List Price
1	85004200	Frame, sealing liner, white std. 12 hole pattern	CALL
1	85004211	Frame, sealing liner, black, std. 12 hole pattern	CALL
1	85004213	Frame, sealing liner, dark grey, std. 12 hole pattern	CALL
2	85001600	Gasket set, liner, std. 12 hole pattern	CALL
3	510161	Disk, logo	CALL
4	85000400	Lid/ring seat, complete, white	CALL
4	85000411	Lid/ring seat, complete, black	CALL
4	85018000	Lid/ring seat, complete, tan	49.76
5	85007600	Frame, sealing liner, wide mouth, white	CALL
6	85007700	Gasket, sealing liner, wide mouth (2), white	CALL
7	85007400	Lock down lid, white	27.50
7	85007411	Lock down lid, black	CALL
7	85007413	Lock down lid, grey	CALL
7	85007430	Lock down lid, tan	28.62
8	85000600	Ring seat only, 9 in. diameter, white	17.14
9	85017500	Pivot tab for flap weir	CALL
11	85002400	Trimmer valve plate, residential	CALL
12	98204400	Screw, grounding SS 10-24 x 1/2 in	2.66
13	85002600	Vari-flo control insert only	CALL
14	85002000	Ball valve assembly, complete	CALL
15	85001500	Flap weir	27.00
16	R38013B	Floating weir, circular	14.08
17	85014500	Basket, tapered	CALL
18	R38013A	Basket, for floating weir	20.36
19	85000300	Frame, liner, American 10 hole pattern	CALL
20	81111800	Gasket set, large 10 hole pattern, w/dbl. wall	CALL
20	81111700	Gasket set, large 10 hole pattern, w/o dbl. wall	CALL
21	85015200	Equalizer assembly	43.00

1: Used on skimmers manufactured before 2-1-76.
 2: Used on skimmers manufactured after 2-1-76.

Item #	Part No.	Description	List Price
	85000700	Square ring seat 10-1/2 in. x 10-1/2 in.	CALL
	98202600	Screw, sealing 1/4-20 x 1 in. Phillips flat head ¹	CALL
	98202700	Screw, sealing 1/4-20 x 1-1/4 in. Phillips flat head ¹	CALL
	98202900	Screw, seal 13-16 x 1 in. high-low, grate ²	CALL
	98207200	Screw, seal 13-16 x 1 in. high-low, anti-vortex ²	CALL
	98203000	Screw, SS retainer slot. 13-16 x 3/4 in. high-low pph. ²	CALL
	85008500	Screw kit, American 10 hole pattern	CALL
	85008600	Screw kit, American 10 hole pattern, extra long	CALL
	85008700	Screw kit, std. 12 hole pattern	CALL
	85008800	Screw kit, std. 12 hole pattern, extra long	CALL
	85015100	O-ring, skimmer bottom	CALL
	355330	O-ring equalizer	CALL
	85016600	Rubber stopper, flap weir	CALL
	98213000	Screw, 8-32 x 5/8 in. commercial lid	CALL
	98208500	Washer, gum commercial lid	CALL
	85014700	Handle, basket	CALL
	85007200	Angle bracket	CALL
	85012800	Track-VF skimmer	CALL
	85014200	Trimmer, equalizer	CALL
	85009500	Skimmer Lid (Old Style)	CALL



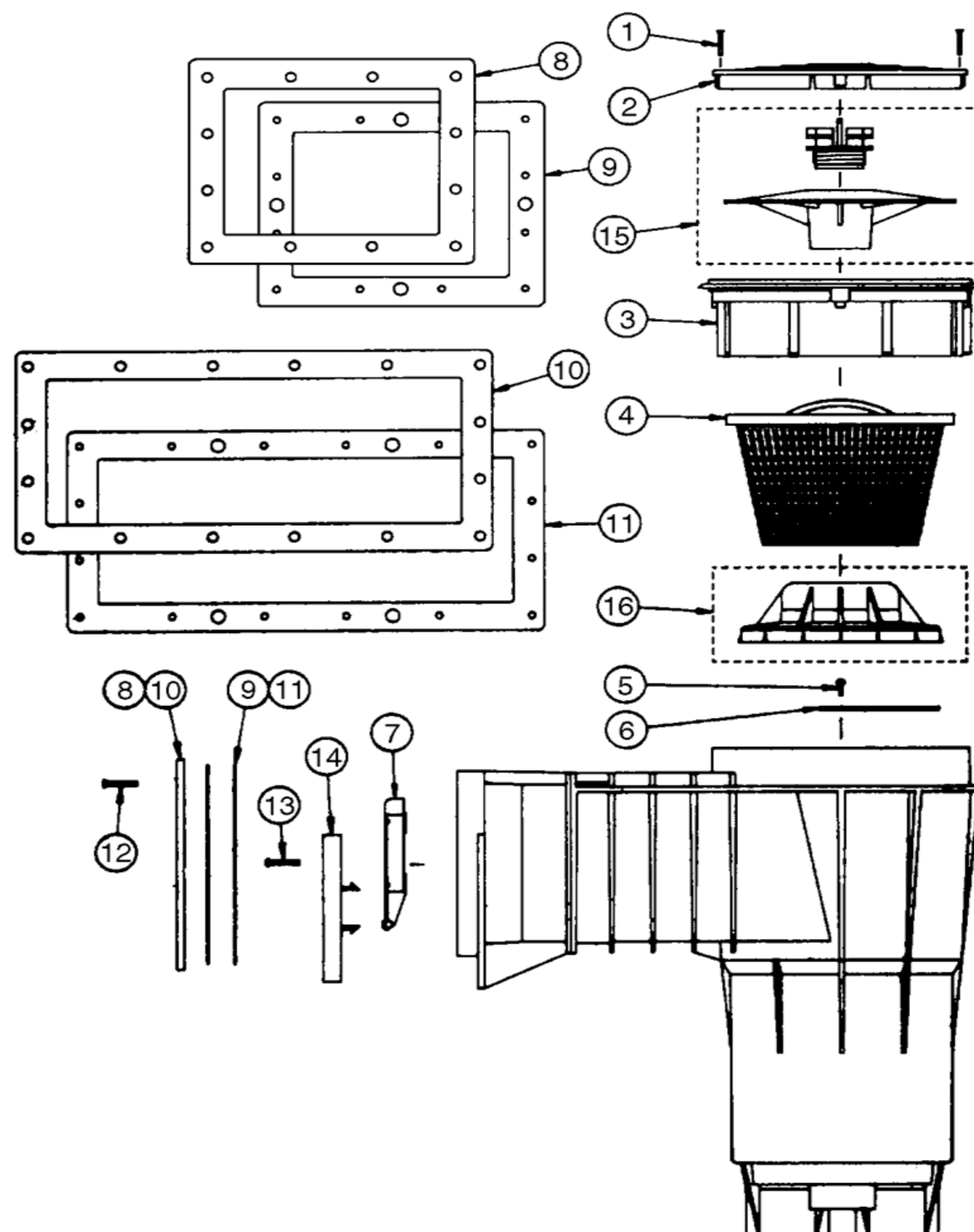


PENTAIR BERMUDA SKIMMER PARTS

Item #	Part No.	Description	List Price
1	516242	Screw, No.8-32 x 1 in. SS, 2 req.	CALL
2	516215	Deck lid, white	23.00
2	516216	Deck lid, tan	25.90
2	516306	Deck lid, black	CALL
3	516253	Deck collar, gunite, white	21.00
3	516258	Deck collar, gunite, tan	22.86
3	516259	Deck collar, vinyl, white	CALL
4	516112	Basket	29.00
5	516243	Screw, No.8 x 1/2 in. SS	CALL
6	516228	Trimmer plate	CALL
7	516252	Weir gate assmeby, white	17.90
7	516315	Weir gate assmeby, black	CALL
8	516264	Face Plate Kit - Standard throat, white	CALL
8	516324	Face plate kit, standard throat, black	CALL
9	552566	Gasket, standard throat, 2 req.	CALL

Item #	Part No.	Description	List Price
10	516265	Face Plate Kit - Wide Mouth	CALL
11	516231	Gasket, widemouth throat, 2 req.	CALL
12	516239	Screw, No. 12-8 x 1 in. SS, std. face plate	CALL
12	516345	Screw, No. 12-8 x 1-1/4 in. SS, std. face plate	CALL
13	516241	Screw, No. 12-8 x 1-1/4 in. SS, 4 req.	CALL
14	516237	Flange spacer, 3 req.	CALL
15	506161	Vacuum plate assembly	17.90
16	506160	Float valve assembly	67.10
16	195829	2 in. O-ring style plug	9.00
16	192323	O-ring	CALL
16	191474	O-ring	CALL
16	506162	Equalizer valve assembly	CALL
	516254	Lid/collar set, white	CALL
	516328	Lid/collar set, black	CALL
	516261	Lid/collar set, tan	CALL

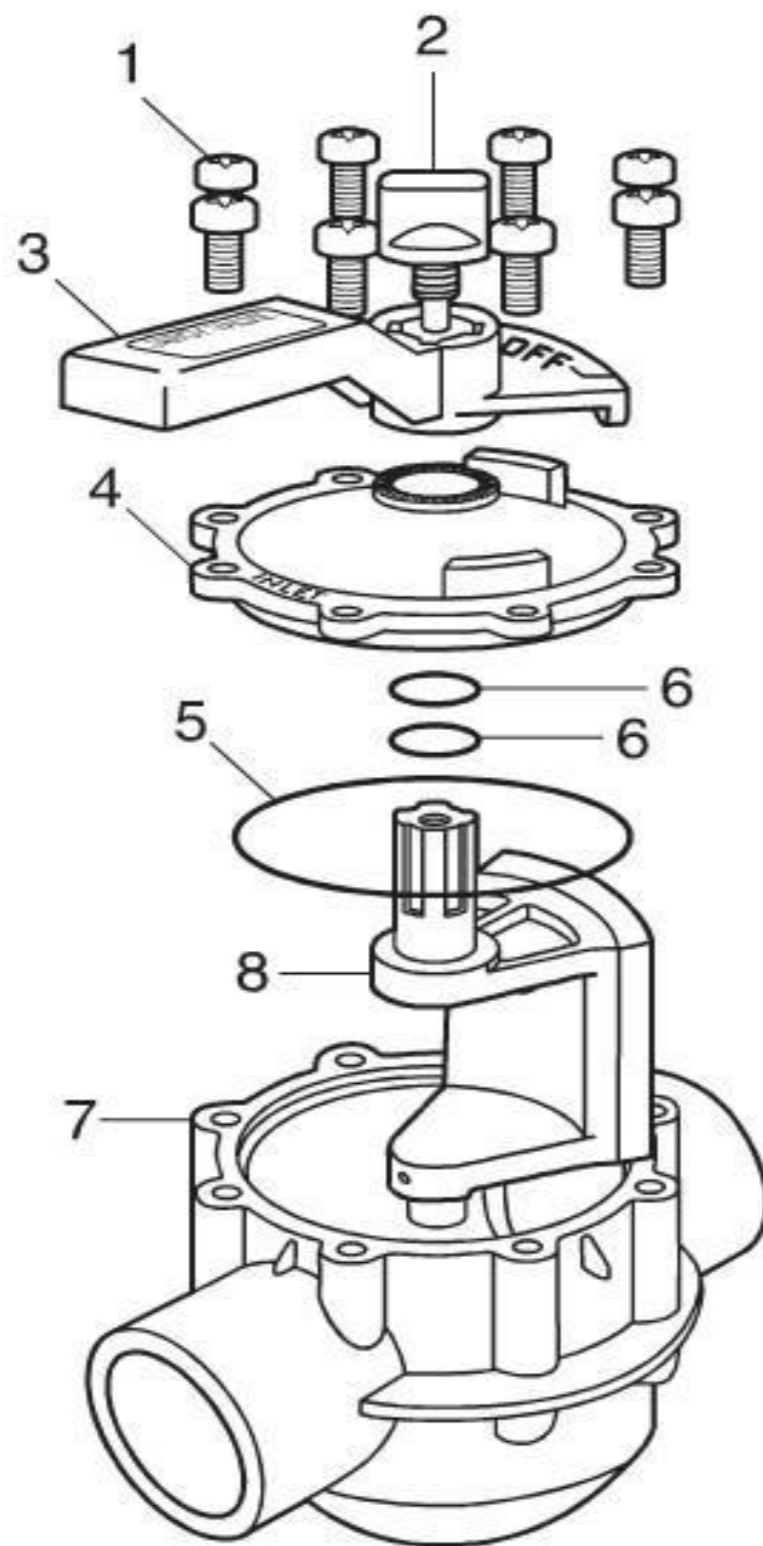
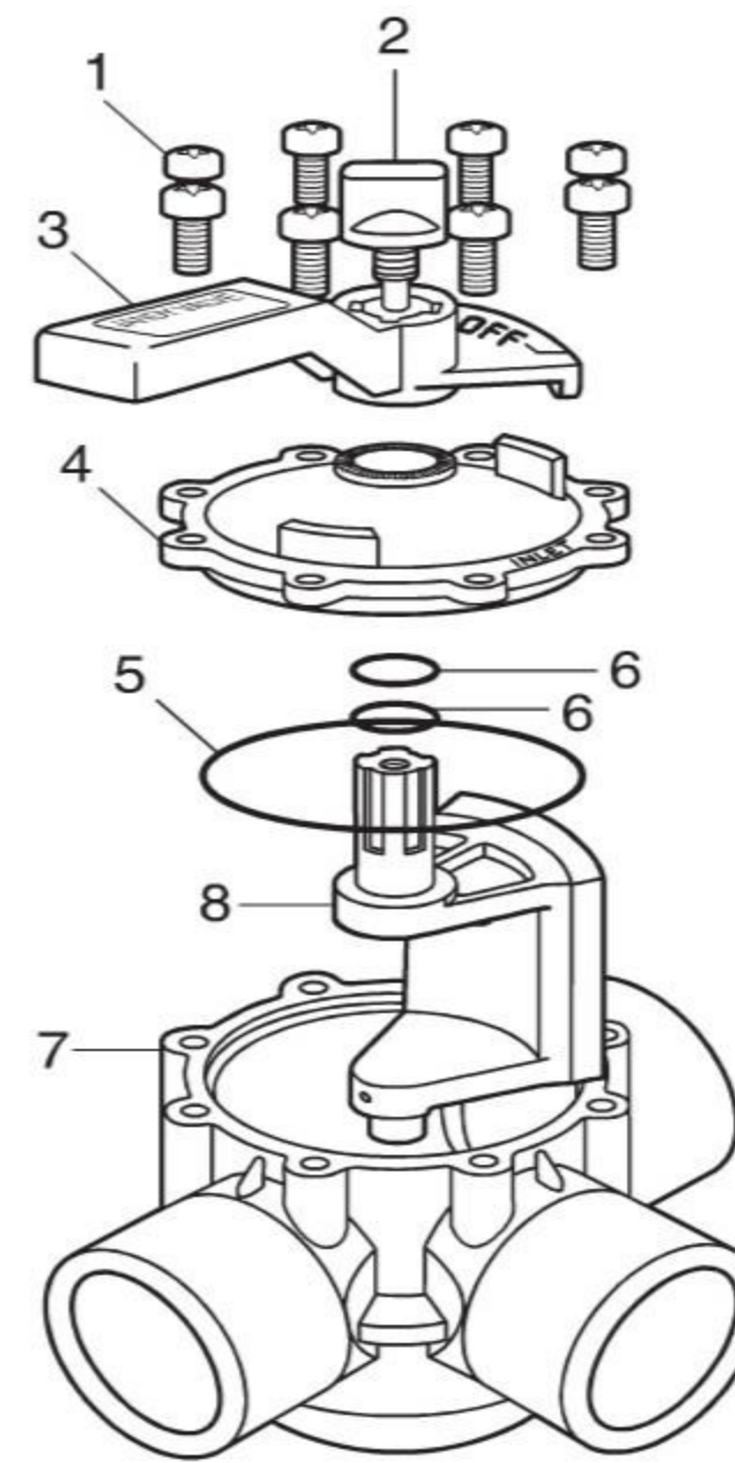
1: For skimmers manufactured after 2/1/93.





JANDY NEVER LUBE DIVERTER VALVE PARTS

3-PORT VALVE 1-1/2"-2" or 2"-2-1/2"			
Item #	Part No.	Description	List Price
1	1298	Screw #14 x 3/4" valve housing	CALL
2	R0486900	Knob, ABS, black	15.04
3	R0487200	Handle, Never Lube, black	CALL
4	4606	Cover, 3-port, black	29.00
5	R0465700	O-ring, valve cover	CALL
6	R0487100	O-ring, valve shaft	CALL
7	N/A	Housing, 1-1/2" - 2", 3-port, black	N/A
or	N/A	Housing, 2" - 2-1/2", 3-port, black	N/A
8	4720	Never Lube diverter kit	73.00



2-PORT VALVE 1-1/2"-2" or 2"-2-1/2"			
Item #	Part No.	Description	List Price
1	1298	Screw #14 x 3/4" valve housing	CALL
2	R0486900	Knob, ABS, black	15.04
3	R0487200	Handle, Never Lube, black	CALL
4	4734	Cover, 2-port, black	CALL
5	R0465700	O-ring, valve cover	CALL
6	R0487100	O-ring, valve shaft	CALL
7	N/A	Housing, 1-1/2" - 2", 2-port, black	N/A
or	N/A	Housing, 2" - 2-1/2", 2-port, black	N/A
8	4720	Never Lube diverter kit	73.00